



# PARTS CATALOGUE

## YUM2A20 ( J0G2 ) CANADA, EUROPE, OTHERS

---



1VJ0G-100E1

( )

YUM2A20  
PARTS CATALOGUE  
©2019 by Yamaha Motor Co., Ltd.  
1st edition, June 2019  
All rights reserved.  
Any reprinting or unauthorized use  
without the written permission of  
Yamaha Motor Co., Ltd.  
is expressly prohibited.  
Printed in Japan.

# FOREWORD

This Parts Catalogue is related to the parts for the model(s) on the cover page. When you are ordering replacement parts, please refer to this Parts Catalogue and quote both part numbers and part names correctly.

1. Modifications or additions which have been made after the issue of the Parts Catalogue will be announced in the Parts News.  
It is advisable that you make the necessary corrections to the Parts Catalogue according to the Parts News.

2. Abbreviations

The following abbreviations are used in this Parts Catalogue.

“UR” Use specified parts number.

“UN” Use as many as needed.

“AP” Alternate Parts

“LM” Locally Made (Parts need to be ordered locally)

“F#” Frame No. (Applicable machine No.)

“O/S” Over Size

3. The number of components for assembly

- Parts, which are to be supplied in an assembly, are listed with a dot (.) in front of the part name as shown below.
- The numeral appearing to the right of each component part indicates the quantity of parts for each assembly unit.

PART NO.	DESCRIPTION	Q'TY	REMARKS
2F5-83310-60	FRONT FLASHER LIGHT ASSY	2	
115-83311-60	.BULB (6V-18W)	1	

4. Applicable colours of graphics are represented in the “REMARKS” as shown below.

PART NO.	DESCRIPTION	Q'TY	REMARKS
2N4-24110-00-X5	FUEL TANK COMP.	2	MXR
3J1-24240-10	.GRAPHIC, FUEL TANK	1	FOR MXR

5. Note that the illustrations for reference in finding parts numbers are not to be used for assembling. When assembling, please use the applicable service manual.

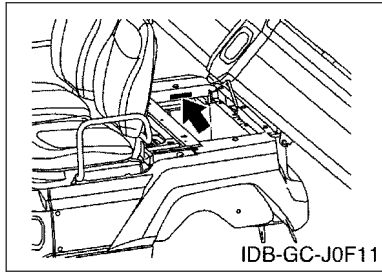
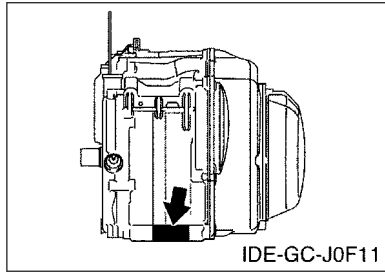
6. The asterisk (\*) before a reference number indicates modified items after the first edition.

# FOREWORD

7. Applicable Serial No.

Engine Serial No.

Frame Serial No.



8. Applicable Colour Code (The (\*) mark shows Model colour.)

Abbreviation	Colour Name	Colour Code
DNLGM3(*)	DARK GRAYISH LEAF GREEN ME 3	1702
DNMC(*)	DARK GRAY METALLIC C	0922
DOMD(*)	DEEP ORANGE METALLIC D	1703
DRMV(*)	DEEP RED METALLIC V	1365
VPBM6(*)	VIVID PURPLISH BLUE METALLIC 6	1002
WS7(*)	WHITE SOLID 7	1045

9. Quantity Column Information

Column No.	Name Of Q'ty Column	Destination
1	J0G2	CANADA, EUROPE, OTHERS

10. Applicable Starting Serial No.

Frame Serial No.

Serial No.	Name Of Q'ty Column	Model Code
J0G-100101	J0G2	J0G2

# CONTENTS

ENGINE 1.....	1
---------------	---

## ENGINE

CYLINDER HEAD.....	2
CRANKSHAFT & PISTON.....	3
CAMSHAFT & VALVE.....	4
AIR SHROUD & FAN.....	5
INTAKE.....	6
EXHAUST.....	7
CRANKCASE.....	8

## BODY

ENGINE BRACKET.....	9
REAR ARM & SUSPENSION.....	10
FRAME.....	12
FRONT SUSPENSION.....	14
STEERING.....	16
FUEL TANK.....	18
PEDAL WIRE.....	20
PEDAL ASSEMBLY.....	21
BRAKE 1.....	24
BRAKE 2.....	26
GOVERNOR.....	27

## DRIVE

PRIMARY SHEAVE.....	28
SECONDARY SHEAVE.....	29
TRANSAXLE.....	30
SHIFTER & CABLES.....	33
WHEEL.....	34
BUMPER.....	35
BODY.....	36
BODY 2.....	39
BODY FITTING.....	42
CARRIER.....	44
SEAT.....	48

## ELECTRICAL

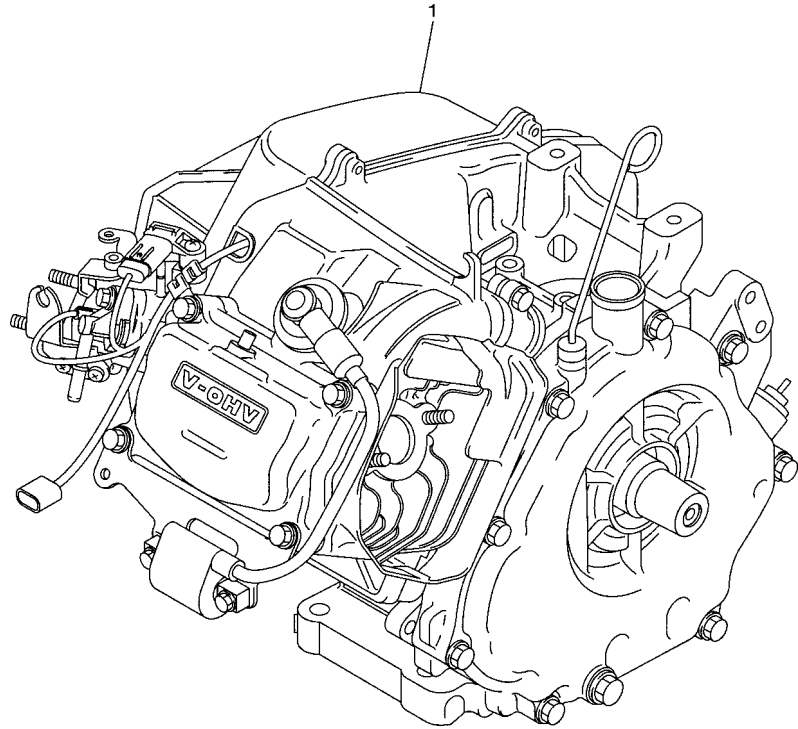
STARTING MOTOR.....	49
HEADLIGHT.....	51

ELECTRICAL 1.....	52
ELECTRICAL 2.....	54
ALTERNATE FOR WINDSHIELD.....	56
ALTERNATE FOR SUN ROOF.....	58
ALTERNATE FOR CHASSIS 1.....	59
ALTERNATE FOR CHASSIS 2.....	60
ALTERNATE FOR CHASSIS 3.....	61

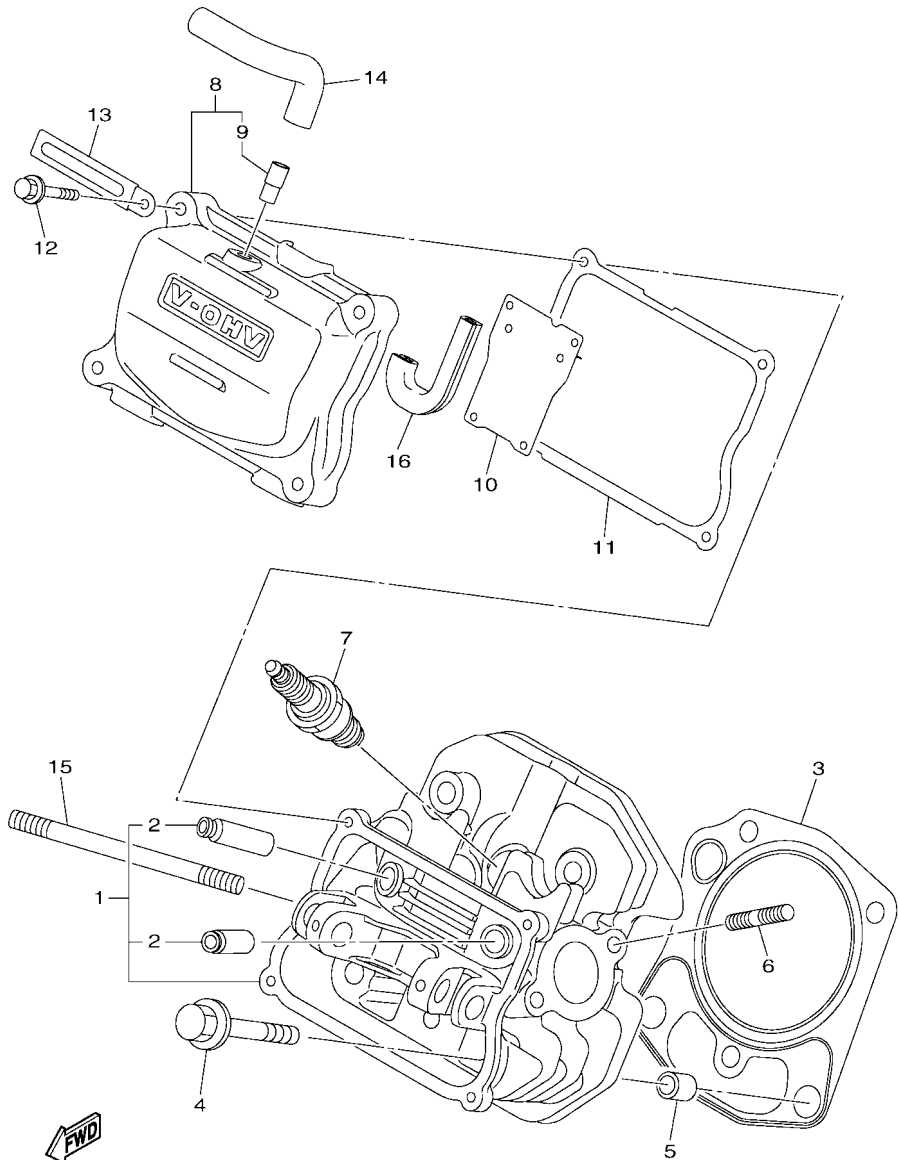
## INDEX

NUMERICAL INDEX.....	62
----------------------	----

**FIG. 1 ENGINE 1**



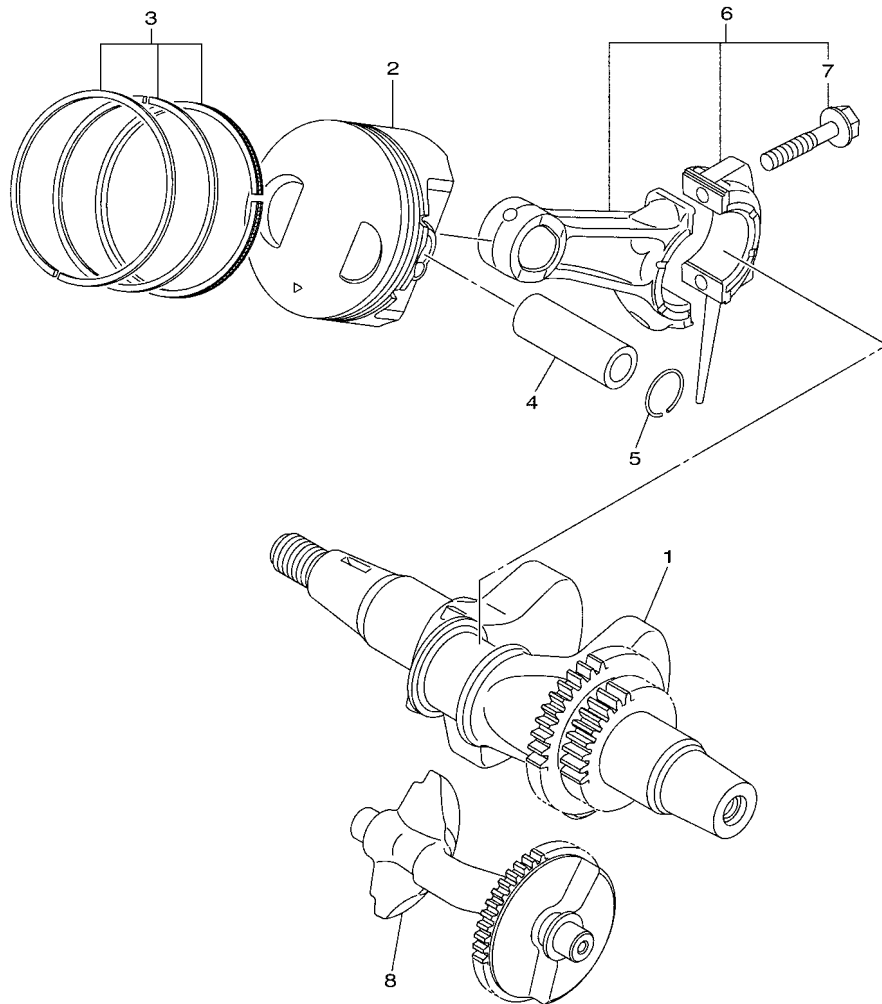
REF. NO.	PART NO.	DESCRIPTION	JOG2				REMARKS
1	J0G-E9001-A1	ENGINE ASSEMBLY	1				



J0F1110-U020

FIG. 2 CYLINDER HEAD

REF. NO.	PART NO.	DESCRIPTION	J0G2				REMARKS
1	J0G-E1111-00	HEAD, CYLINDER 1	1				
2	7CT-E1133-00	.GUIDE, VALVE 1	2				
3	7HD-E1181-00	GASKET, CYLINDER HEAD 1	1				
4	95812-10070	BOLT, FLANGE	5				
5	99530-14016	PIN, DOWEL	2				
6	95622-08618	BOLT, STUD	2				
7	94702-00819	PLUG, SPARK (NGK BPR4ES)	1				
8	J0G-E1191-00	COVER, CYLINDER HEAD 1	1				
9	7CT-E1116-00	.JOINT, BREATHER	1				
10	J0G-E1168-00	COVER, BREATHER	1				
11	7HD-E1193-00	GASKET, HEAD COVER 1	1				
12	95822-06030	BOLT, FLANGE	4				
13	90462-05061	CLAMP	1				
14	J0G-E1166-00	PIPE, BREATHER 1	1				
15	95602-08710	BOLT, STUD	2				
16	7VB-E1163-00	ELEMENT	1				



**FIG. 3 CRANKSHAFT & PISTON**

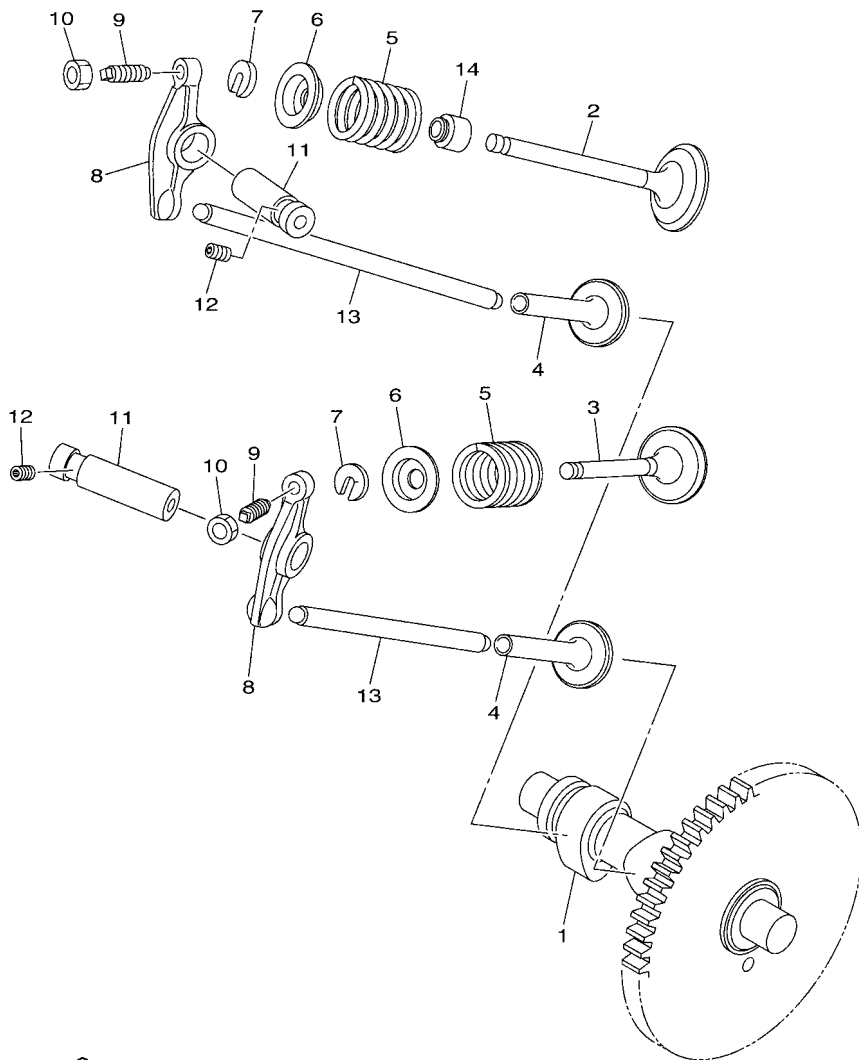
REF. NO.	PART NO.	DESCRIPTION	JOG2				REMARKS
1	J0G-E1400-00	CRANKSHAFT ASSY	1				
2	J0G-E1631-00	PISTON (STD)	1				
3	7HD-E1610-00	PISTON RING SET (STD)	1				
4	7HD-E1633-00	PIN, PISTON	1				
5	93450-22840	CIRCLIP	2				
6	7HP-E1650-00	CONNECTING ROD ASSY	1				
7	7CT-E1654-00	.BOLT, CONNECTING ROD	2				
8	7HP-E1454-00	WEIGHT 1	1				



J0F1110-U030



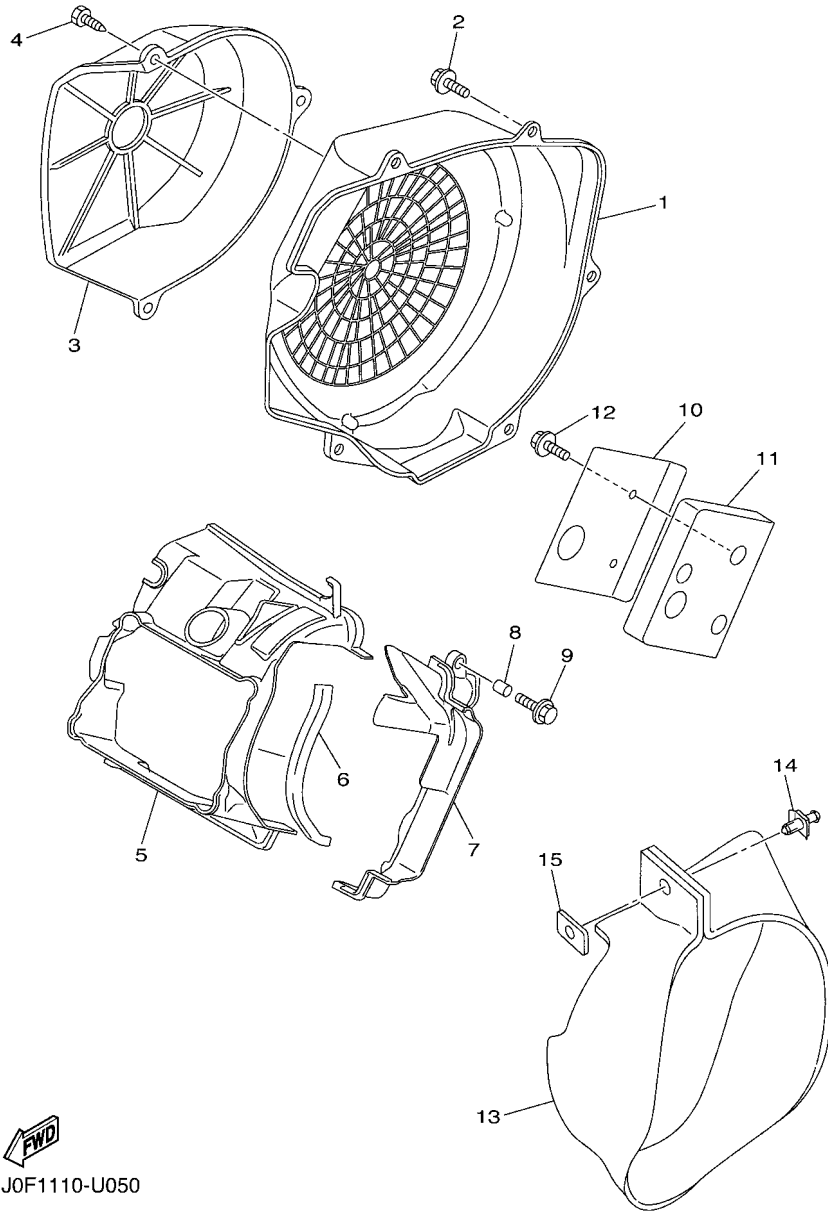
**FIG. 4 CAMSHAFT & VALVE**



REF. NO.	PART NO.	DESCRIPTION	JOG2				REMARKS
1	J0G-E2170-00	CAMSHAFT ASSY 1	1				
2	7CT-E2111-00	VALVE, INTAKE	1				
3	7HD-E2121-00	VALVE, EXHAUST	1				
4	7CT-E2153-00	LIFTER, VALVE	2				
5	90501-264A9	SPRING, COMPRESSION	2				
6	7CT-E2117-00	RETAINER, VALVE SPRING	2				
7	7CT-E2118-00	LOCK, VALVE SPRING RETAINER	2				
8	7CT-E2151-00	ARM, VALVE ROCKER	2				
9	7CT-E2159-00	SCREW, VALVE ADJUSTING	2				
10	90170-05806	NUT	2				
11	7HD-E2156-00	SHAFT, ROCKER 2	2				
12	90113-05800	BOLT, SET	2				
13	J0G-E2154-00	ROD, VALVE PUSH	2				
14	7CT-E2119-00	SEAL, VALVE STEM	1				



J0F1110-U040

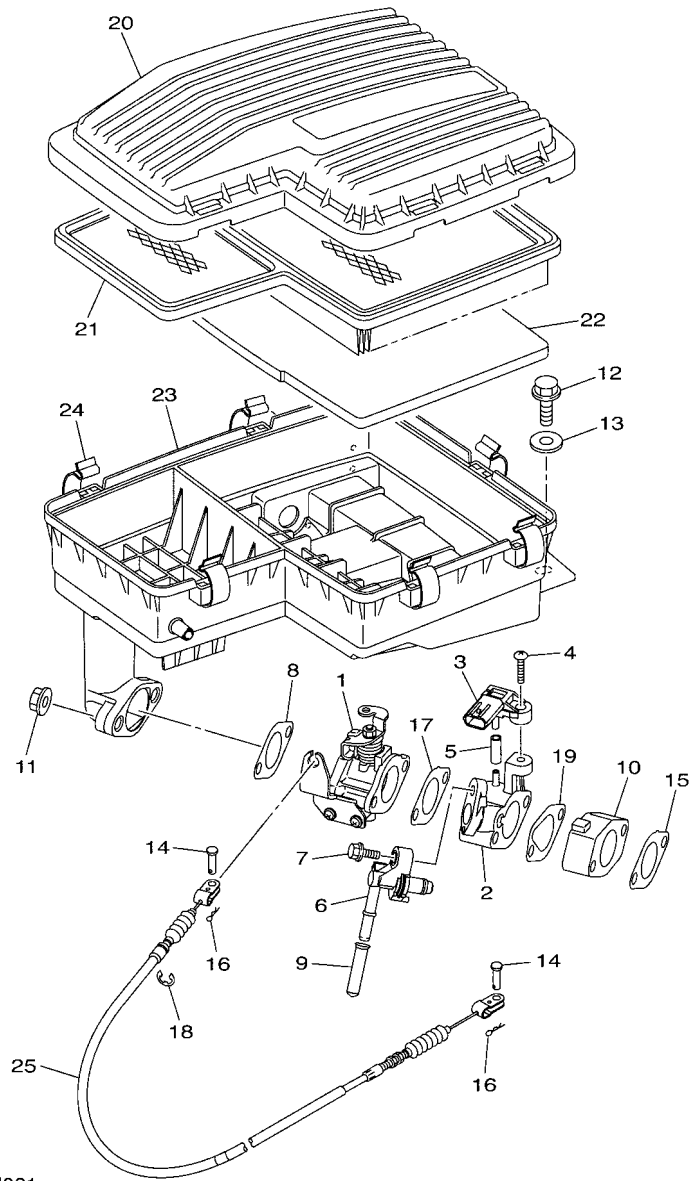


**FIG. 5 AIR SHROUD & FAN**

REF. NO.	PART NO.	DESCRIPTION	JOG2				REMARKS
1	J0G-E2621-00	CASE, FAN	1				
2	95802-06020	BOLT, FLANGE	4				
3	J0G-E2616-00	COVER, FAN CASE	1				
4	97702-60420	SCREW, TAPPING	3				
5	J0G-E2651-00	AIR SHROUD, CYLINDER 1	1				
6	J0G-E2658-00	DAMPER, AIR SHROUD 1	1				
7	J0G-E2652-01	AIR SHROUD, CYLINDER 2	1				
8	90387-060G7	COLLAR	2				
9	95802-06020	BOLT, FLANGE	2				
10	J0G-E2653-01	AIR SHROUD, CYLINDER 3	1				
11	J0G-E2659-00	DAMPER, AIR SHROUD 2	1				
12	95802-06016	BOLT, FLANGE	2				
13	J0G-E2691-00	DUCT 1	1				
14	90269-10001	RIVET	1				
15	JR7-12634-00	PLATE 2	1				



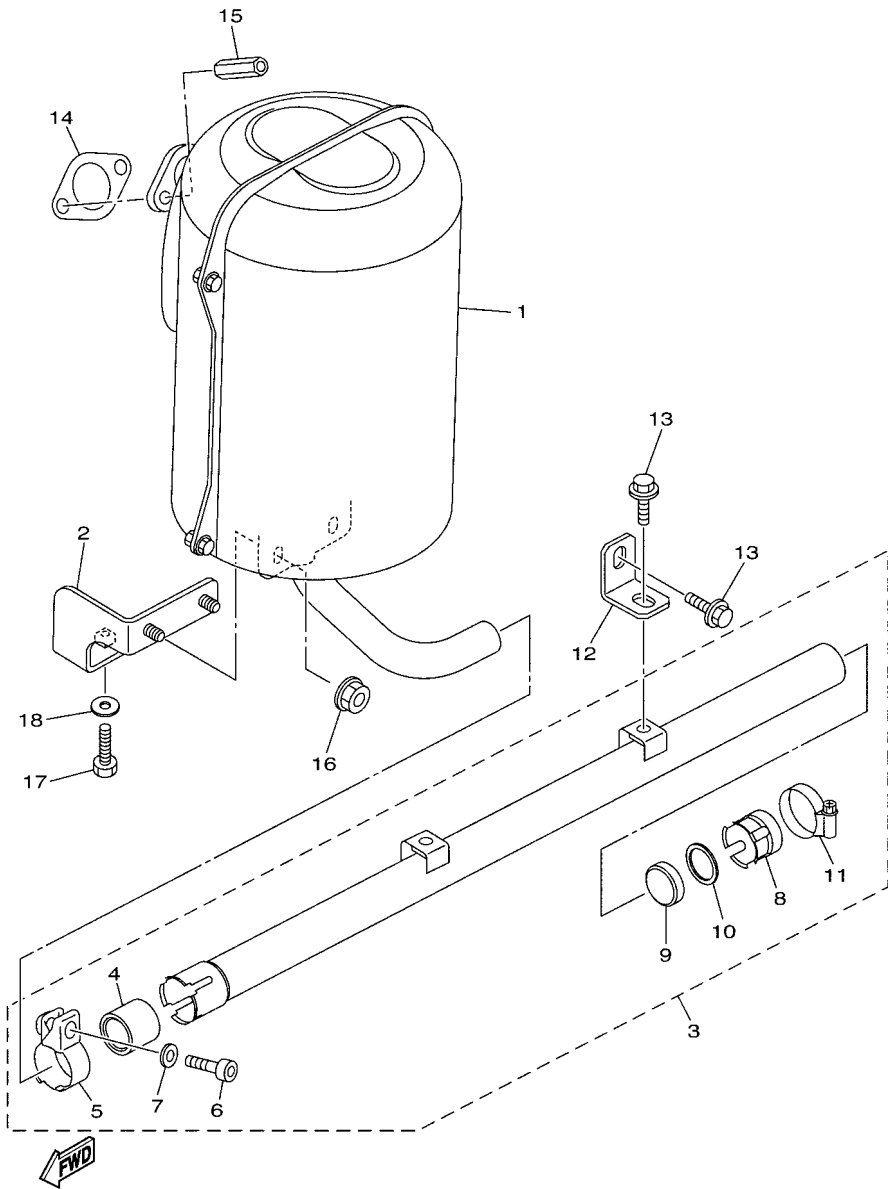
J0F1110-U050



J0F1110-U061

FIG. 6 INTAKE

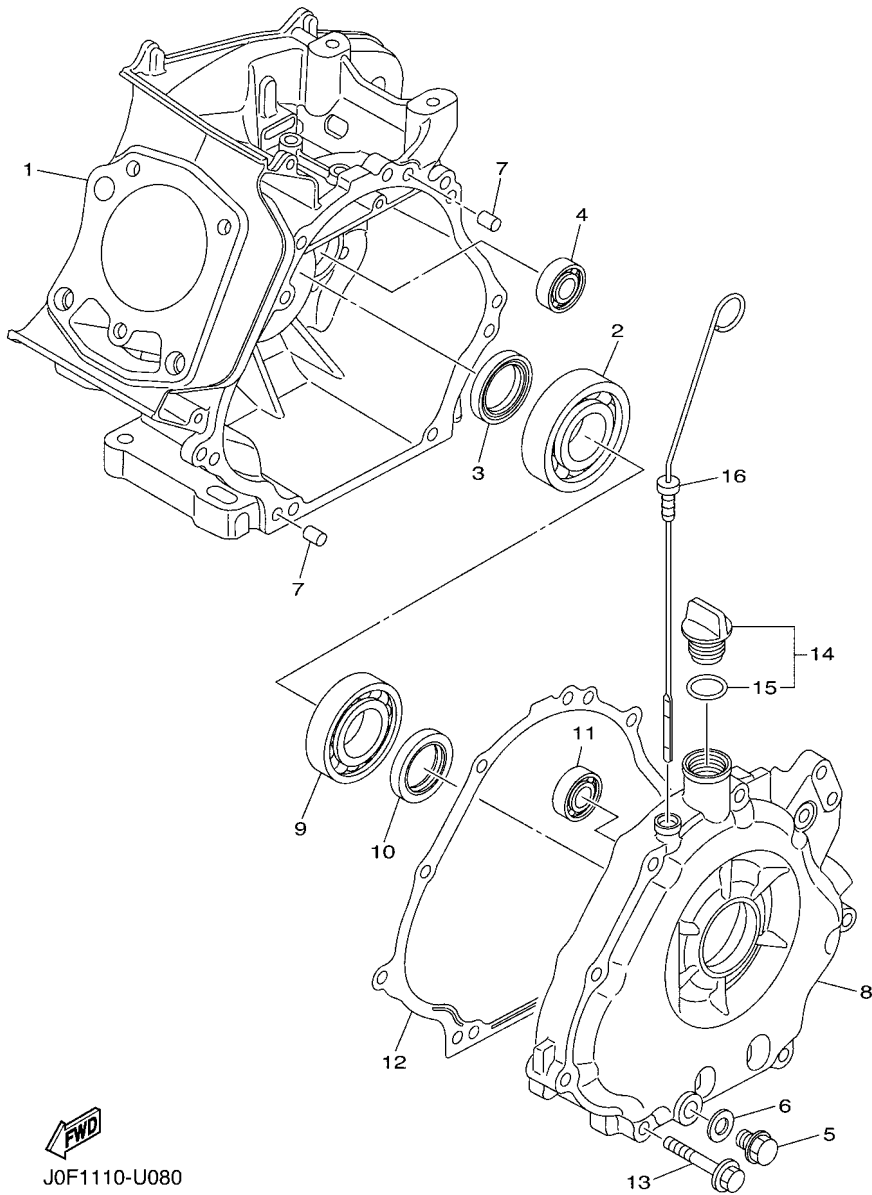
REF. NO.	PART NO.	DESCRIPTION	J0G2				REMARKS
1	J0G-E3750-00	THROTTLE BODY ASSY	1				
2	J0G-E3585-00	MANIFOLD	1				
3	1WS-82380-00	SENSOR, PRESSURE	1				
4	98502-05020	SCREW, PAN HEAD	1				
5	90445-08848	HOSE	1				
6	J0B-13770-00	INJECTOR ASSY	1				
7	95812-06025	BOLT, FLANGE	1				
8	JN6-13567-00	GASKET	1				
9	JC0-13448-00	CAP	1				
10	J0G-E3595-00	JOINT	1				
11	95702-08500	NUT, FLANGE	2				
12	95802-06016	BOLT, FLANGE	2				
13	90201-06033	WASHER, PLATE	2				
14	91702-05010	PIN, CLEVIS	2				
15	J0G-E3567-00	GASKET	1				
16	90468-10049	CLIP	2				
17	J0G-E3567-00	GASKET	1				
18	99001-07600	CIRCLIP	1				
19	J0G-E3567-10	GASKET	1				
20	J0B-E4412-00	CAP, CLEANER CASE 1	1				
21	J0B-E4451-01	ELEMENT, AIR CLEANER	1				
22	JU0-E445E-00	FILTER 1	1				
23	J0B-E4411-01	CASE, AIR CLEANER 1	1				
24	3B4-14424-00	CLIP, CAP FITTING	7				
25	J0G-F6312-00	CABLE, THROTTLE 2	1				



J0P1110-U070

**FIG. 7 EXHAUST**

REF. NO.	PART NO.	DESCRIPTION	JOG2				REMARKS
1	J0M-E4710-01	MUFFLER ASSY 1	1				
2	J0G-F1436-10	BRKT., MUFL. 2	1				
3	J0G-E4610-01	EXHAUST PIPE ASSY 1	1				
4	J0B-E4714-00	.GASKET, MUFLER	1				
5	J0G-E4715-00	.BAND, MUFLER	1				
6	91317-08035	.BOLT, HEX. SOCKET HEAD	1				
7	90201-086P8	.WASHER, PLATE	1				
8	J0G-E4799-01	.CAP	1				
9	J0G-E479E-00	.NET, WIRE 2	1				
10	J0G-E4759-00	.WASHER	1				
11	90450-38003	.HOSE CLAMP ASSY	1				
12	J0G-E4639-00	STAY, EXHAUST PIPE 1	2				
13	95817-08012	BOLT, FLANGE	4				
14	7KY-14613-01	GASKET, EXHAUST 1	1				
15	90170-08242	NUT	2				
16	95602-08200	NUT, U FLANGE	2				
17	97022-08025	BOLT, HEXAGON	1				
18	92902-08600	WASHER, PLATE	1				



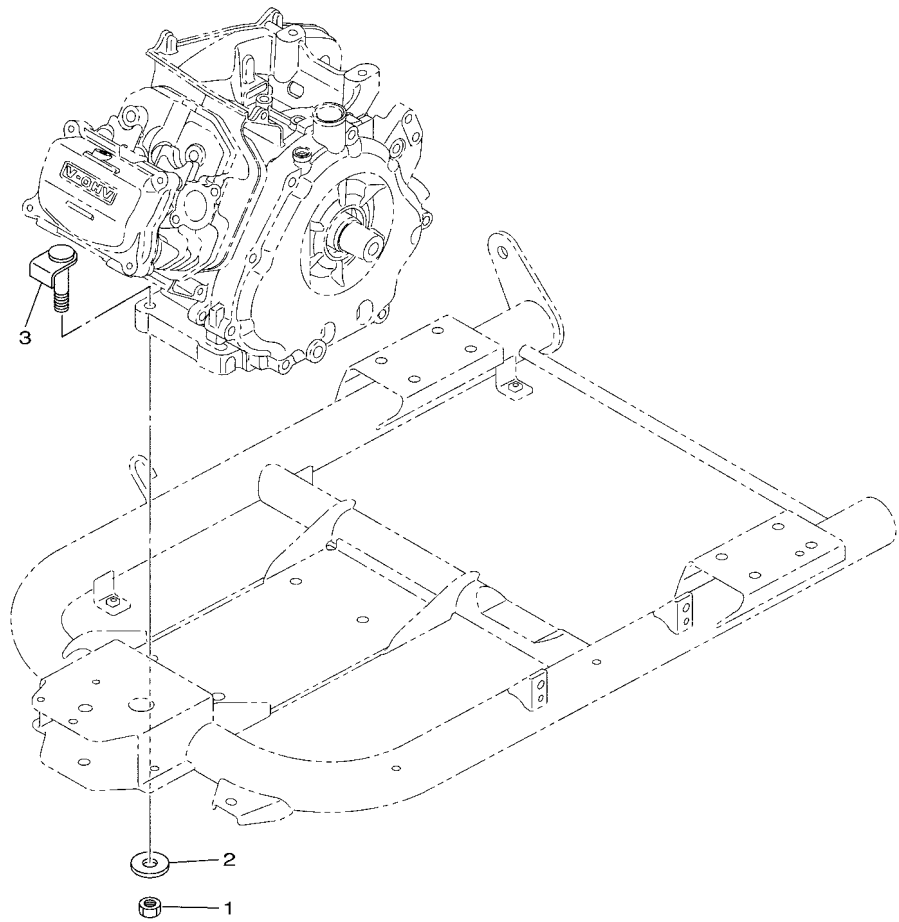
J0F1110-U080

**FIG. 8 CRANKCASE**

REF. NO.	PART NO.	DESCRIPTION	J0G2				REMARKS
1	J0G-E5111-00	CRANKCASE 1	1				
2	93306-307Y3	BEARING	1				
3	93102-35807	OIL SEAL	1				
4	93306-252YK	BEARING	1				
5	90340-12097	PLUG, STRAIGHT SCREW	1				
6	7CT-E1198-00	GASKET	1				
7	99530-08016	PIN, DOWEL	2				
8	J0G-E5411-00	COVER, CRANKCASE 1	1				
9	93306-207Y2	BEARING	1				
10	93102-35807	OIL SEAL	1				
11	93306-252YK	BEARING	1				
12	J0G-E5451-00	GASKET, CRANKCASE COVER 1	1				
13	95812-08045	BOLT, FLANGE	8				
14	7BX-E536A-20	PLUG, OIL LEVEL	1				
15	93210-22805	.O-RING	1				
16	J0G-E5361-00	GAUGE, LEVEL	1				

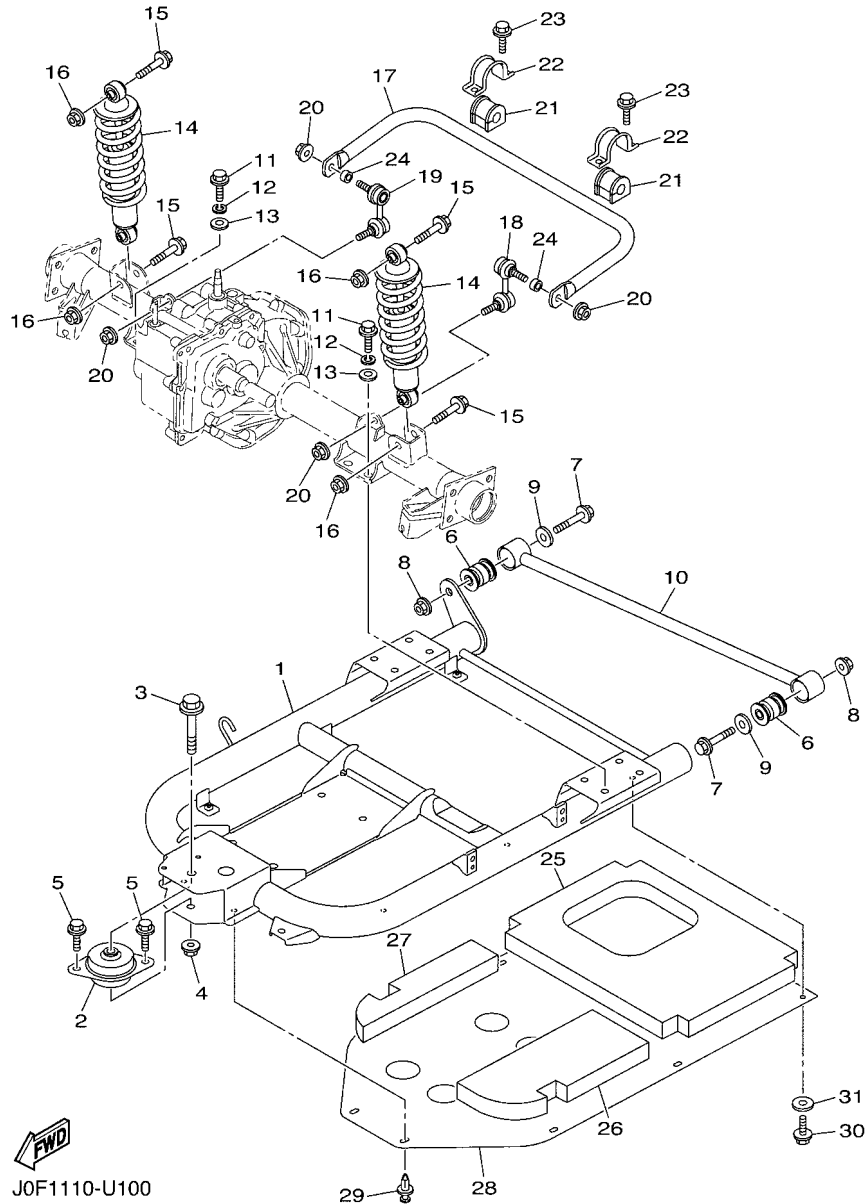
**FIG. 9 ENGINE BRACKET**

REF. NO.	PART NO.	DESCRIPTION	JOG2			REMARKS
1	90185-10060	NUT, SELF-LOCKING	4			
2	90201-107G8	WASHER, PLATE	4			
3	JT0-21481-00	BOLT, ENGINE MOUNTING 1	4			
-----						
-----						
-----						
-----						
-----						
-----						
-----						
-----						
-----						
-----						
-----						
-----						
-----						
-----						



J0F1110-U090

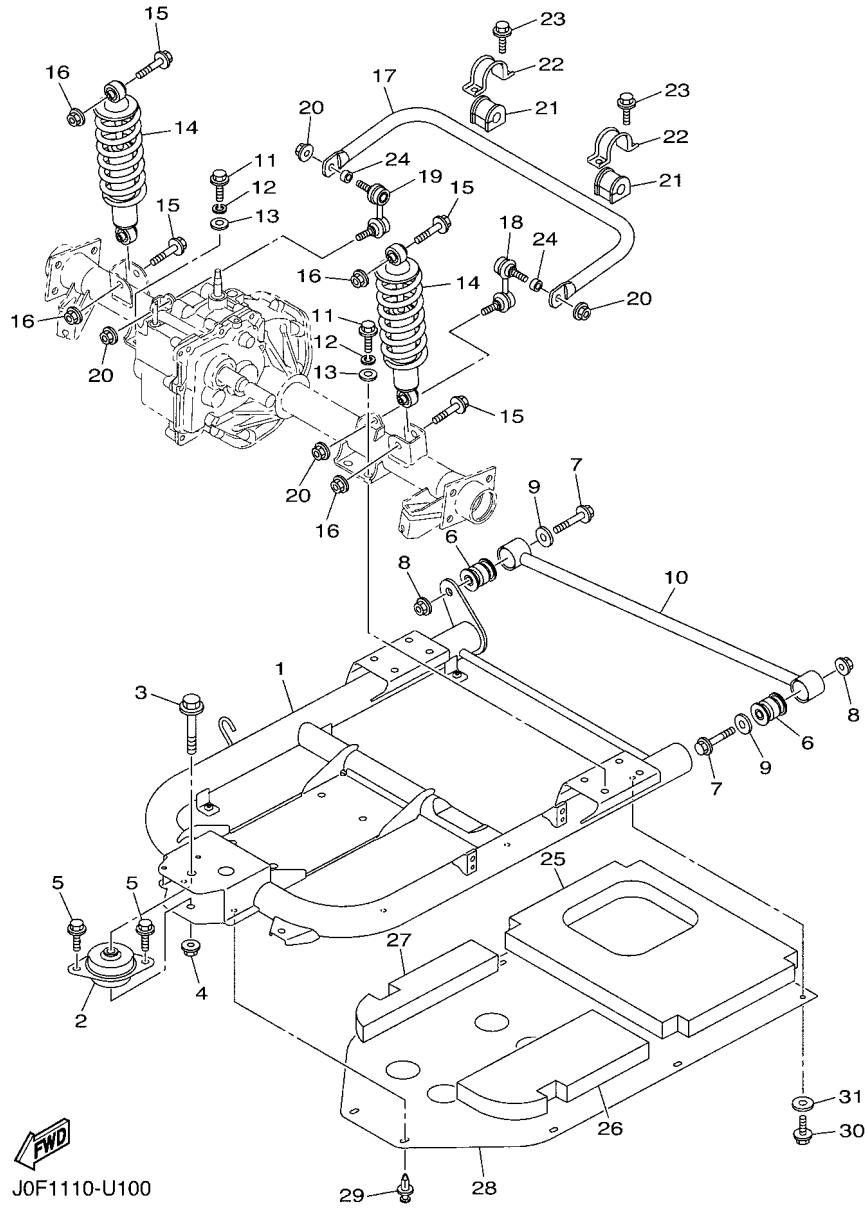
**FIG. 10 REAR ARM & SUSPENSION**



J0F1110-U100

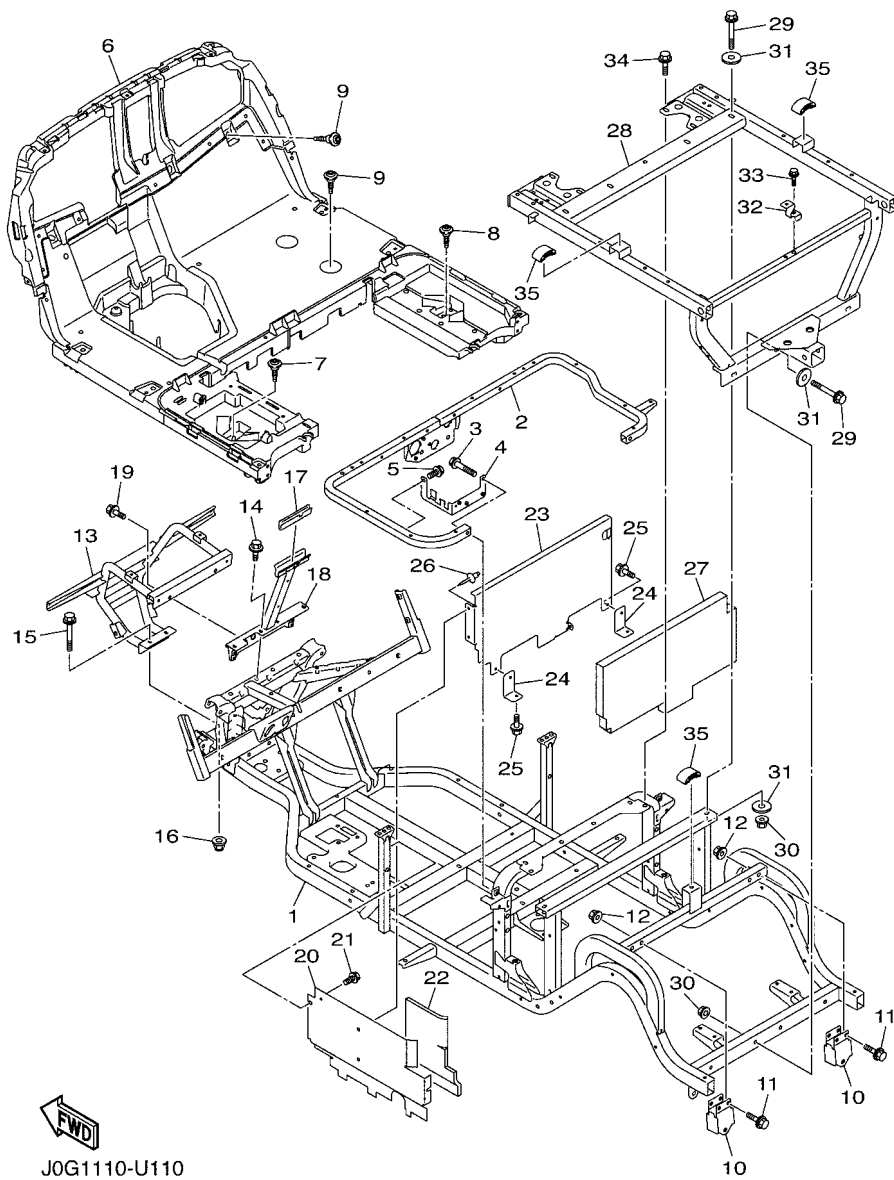
REF. NO.	PART NO.	DESCRIPTION	JOG2				REMARKS
1	J0G-F2110-01	REAR ARM COMP.	1				
2	JN6-F2123-20	BUSH 1	1				
3	90105-13800	BOLT, FLANGE	1				
4	90179-13800	NUT	1				
5	90119-10044	BOLT, WITH WASHER	2				
6	JN6-F2124-10	BUSH 2	2				
7	95812-12065	BOLT, FLANGE	2				
8	90185-12811	NUT, SELF-LOCKING	2				
9	90201-128S4	WASHER, PLATE	2				
10	JW1-F217G-10	ROD, CONNECTING 2	1				
11	97012-10020	BOLT	8				
12	92902-10100	WASHER, SPRING	8				
13	92902-10600	WASHER, PLATE	8				
14	J0G-F2210-00	SHOCK ABSORBER ASSY, REAR	2				
15	95812-12055	BOLT, FLANGE	4				
16	90185-12002	NUT, SELF-LOCKING	4				
17	1D9-G7491-00	BAR, STABILIZER	1				
18	16B-2385L-10	JOINT, STABILIZER 1	1				
19	16B-2385M-10	JOINT, STABILIZER 2	1				
20	95602-10200	NUT, S/L FLANGE	4				
21	1D9-F386G-10	BUSH, STABILIZER FRONT	2				
22	1D9-F386H-01	COVER, STABILIZER FRONT	2				
23	95812-08012	BOLT, FLANGE	4				
24	JW7-F1459-00	SPACER	2				
25	J0G-K825E-00	PAD, SILENCER 11	1				
26	J0G-K825F-00	PAD, SILENCER 12	1				
27	J0G-K825G-00	PAD, SILENCER 13	1				

**FIG. 10 REAR ARM & SUSPENSION**



REF. NO.	PART NO.	DESCRIPTION	JOG2	REMARKS
28	J0G-K817T-00	PANEL, RR. BODY 4	1	
29	90269-06804	RIVET	2	
30	90105-06831	BOLT, FLANGE	6	
31	90201-06863	WASHER, PLATE	6	
-----				
-----				
-----				
-----				
-----				
-----				
-----				
-----				
-----				
-----				

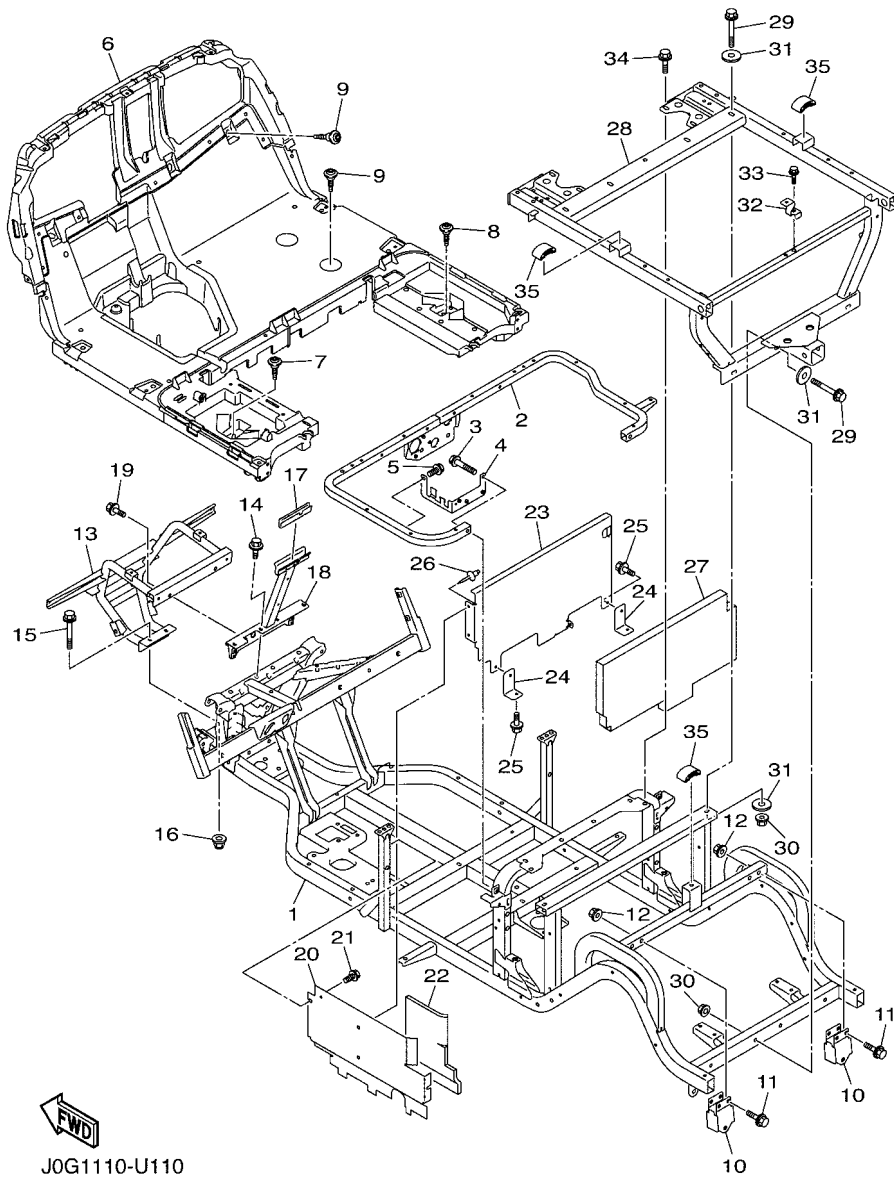




J0G1110-U110

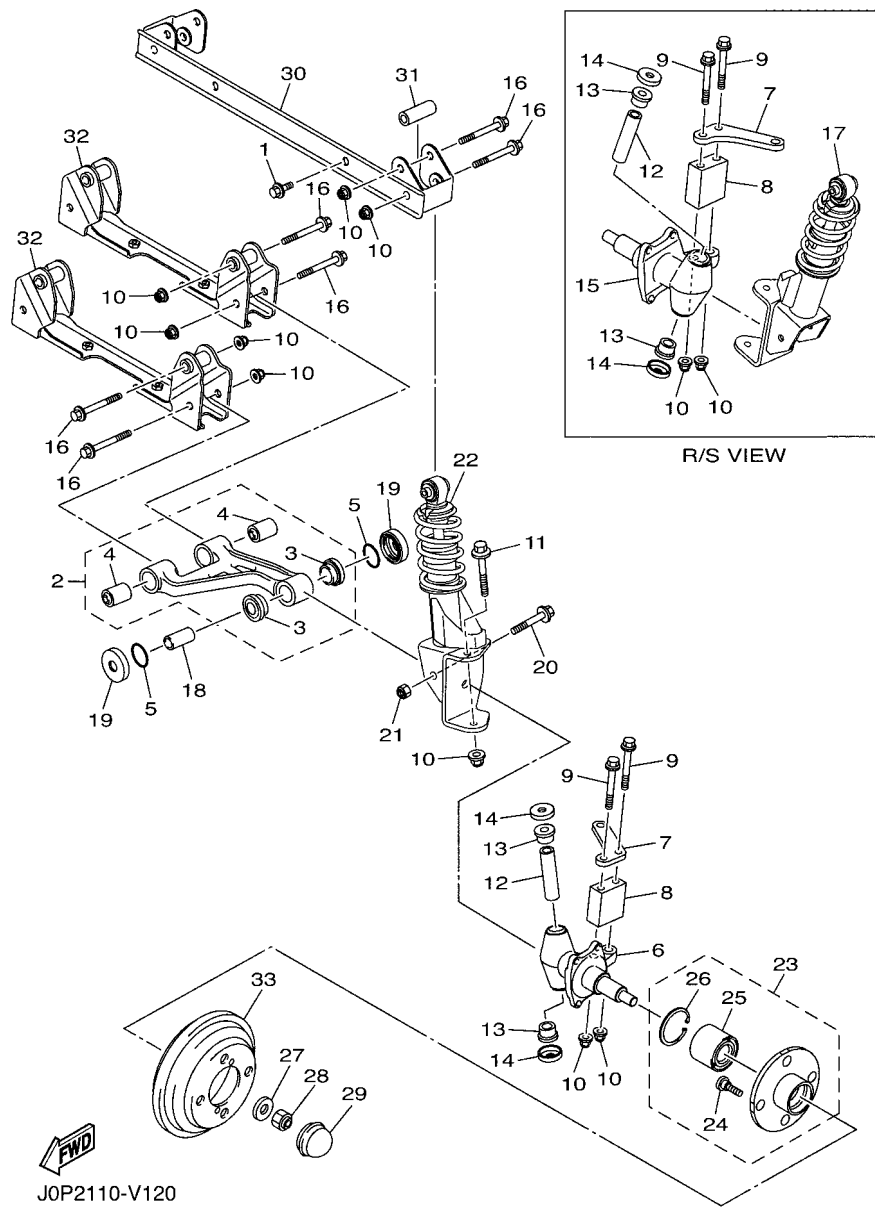
FIG. 11 FRAME

REF. NO.	PART NO.	DESCRIPTION	J0G2			REMARKS
1	J0G-F2501-00	FRAME COMP.	1			
2	J0G-F255G-01	MEMBER, SEAT SUPPORT	1			
3	95812-08040	BOLT, FLANGE	2			
4	J0B-F253B-01	STAY, RELAY	1			
5	90105-08867	BOLT, FLANGE	1			
6	J0G-F7411-00	FOOTREST 1	1			
7	J0B-F1738-00	BOLT	1			
8	J0B-F1738-00	BOLT	1			
9	J0B-F1738-00	BOLT	7			
10	J0G-F1798-00	BRACKET, DAMPER	2			
11	95812-10055	BOLT, FLANGE	4			
12	95602-10200	NUT, S/L FLANGE	4			
13	J0G-F258E-00	SUPPORT, FRONT COWL	1			
14	90105-08867	BOLT, FLANGE	4			
15	95812-08055	BOLT, FLANGE	2			
16	95602-08200	NUT, U FLANGE	2			
17	J0B-F2127-00	SHIM	1			
18	J0G-F2219-00	BRACKET, UPPER	1			
19	90105-08867	BOLT, FLANGE	2			
20	J0B-F258R-01	PLATE, BATTERY 3	1			
21	90105-08867	BOLT, FLANGE	2			
22	J0G-K825A-00	PAD, SILENCER 10	1			
23	J0G-K8411-00	PANEL, SEAT NO.1	1			
24	J0G-K8323-00	BRACKET 1	2			
25	90105-06831	BOLT, FLANGE	5			
26	90267-36853	RIVET, BLIND	2			
27	J0G-K8259-00	PAD, SILENCER 9	1			



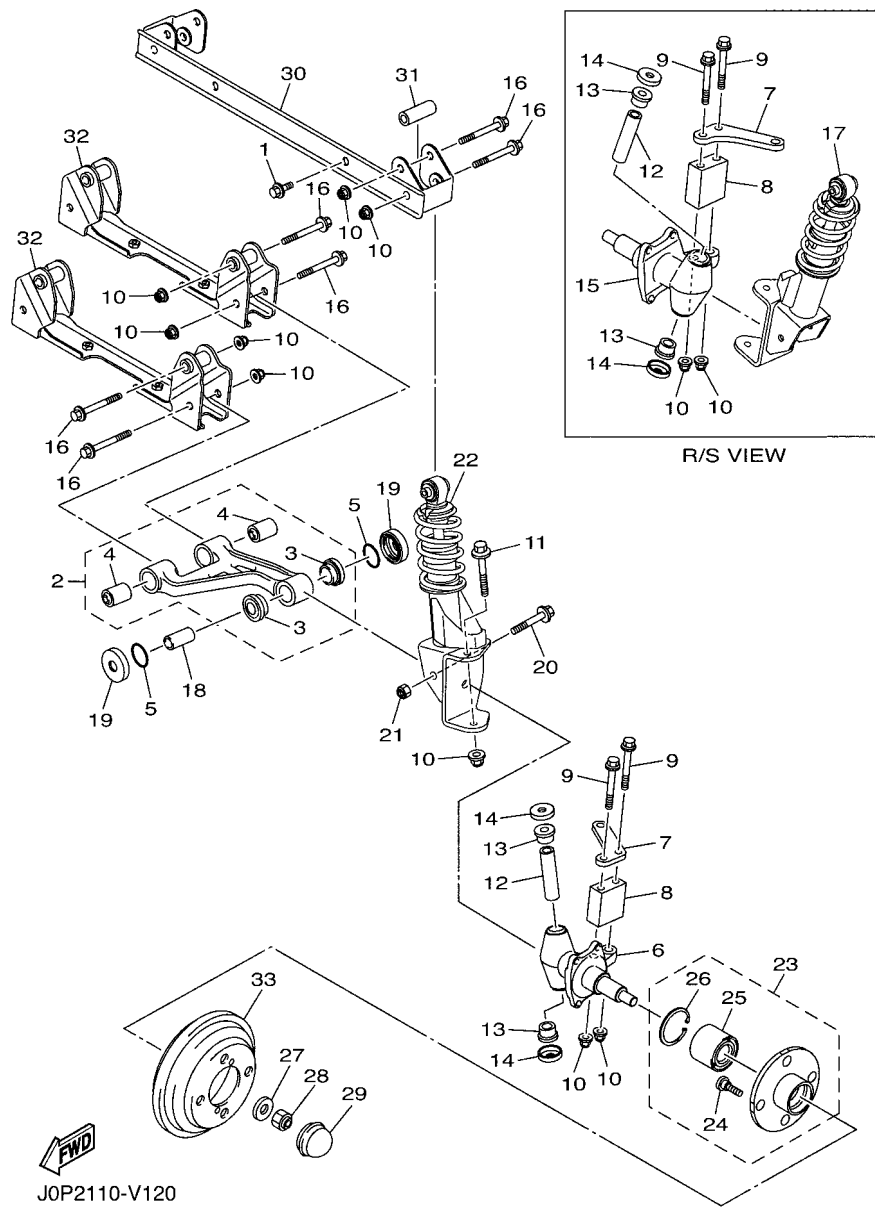
**FIG. 11 FRAME**

REF. NO.	PART NO.	DESCRIPTION	JOG2	REMARKS
28	J0G-F2504-01	RR. SUB-FRAME COMP.	1	
29	90105-088A7	BOLT, FLANGE	6	
30	95602-08200	NUT, U FLANGE	6	
31	90201-08843	WASHER, PLATE	8	
32	J0F-F1425-00	BRACKET, REAR UPPER 1	1	
33	90105-06832	BOLT, FLANGE	1	
34	90105-08171	BOLT, FLANGE	2	
35	JJ3-K815H-01	DAMPER, LOCK	3	



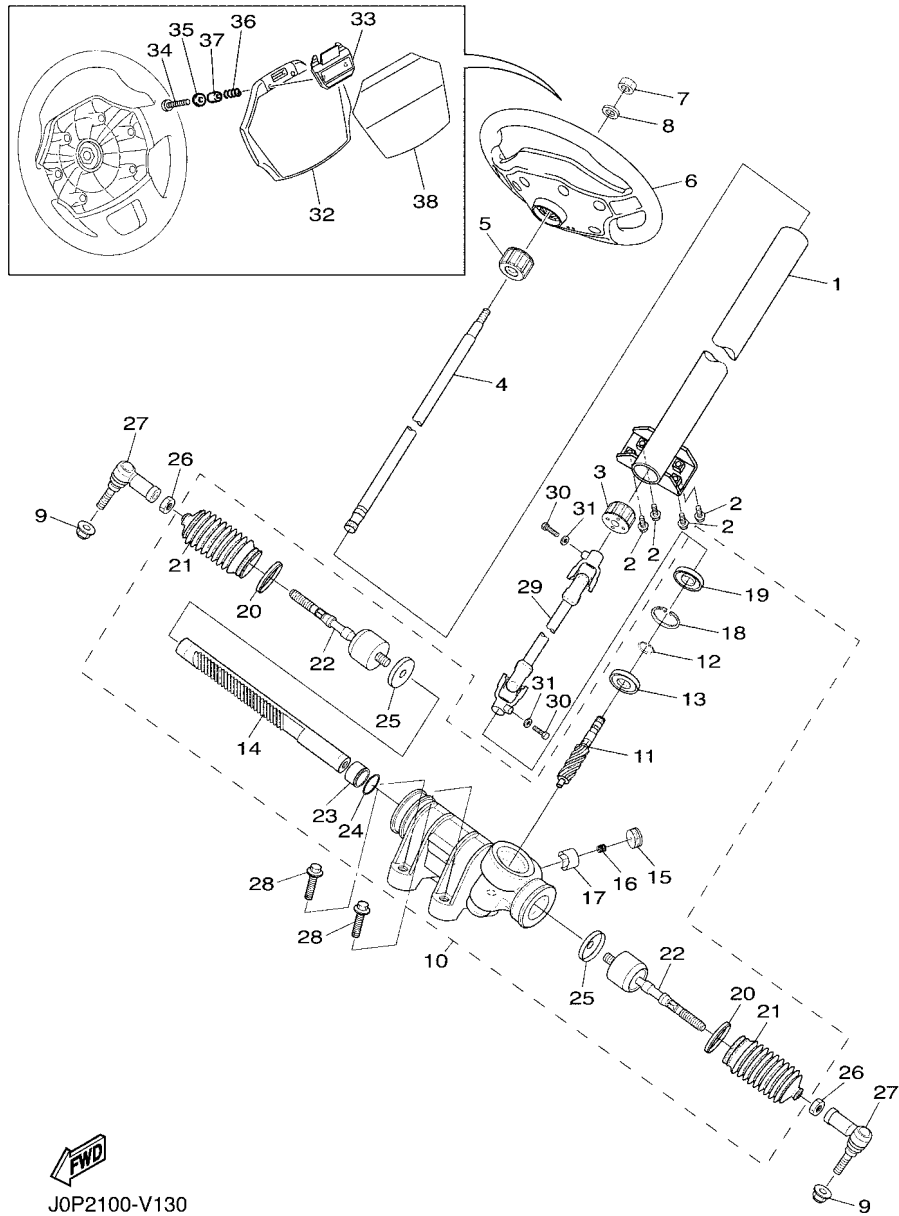
**FIG. 12 FRONT SUSPENSION**

REF. NO.	PART NO.	DESCRIPTION	JOGZ				REMARKS
1	90105-08867	BOLT, FLANGE	2				
2	J0G-F3570-00	FRONT LOWER ARM COMP. (LEFT)	2				
3	90381-18802	.BUSH, SOLID	2				
4	1HP-F3526-00	.BUSH	2				
5	93210-22298	O-RING	4				
6	J0G-F3511-00	KNUCKLE, STEERING 1	1				
7	J0G-F3512-01	ARM, KNUCKLE 1	2				
8	J0G-F3118-00	SPACER	2				
9	90105-10843	BOLT, FLANGE	4				
10	90185-10011	NUT, SELF-LOCKING	18				
11	90105-10219	BOLT, FLANGE	2				
12	90387-10120	COLLAR	2				
13	90381-17800	BUSH, SOLID	4				
14	2NL-23517-00	COVER, THRUST 1	4				
15	J0G-F3521-00	KNUCKLE, STEERING 2	1				
16	90105-10272	BOLT, FLANGE	12				
17	J0G-F3350-02	SHOCK ABSORBER ASSY	1				
18	90387-12016	COLLAR	2				
19	401-22128-01	COVER, THRUST 1	4				
20	95812-12080	BOLT, FLANGE	2				
21	90185-12810	NUT, SELF-LOCKING	2				
22	J0G-F3390-02	SHOCK ABSORBER ASSY 2	1				
23	J0G-F5103-00	HUB BEARING UNIT ASSY	2				
24	90114-12805	.BOLT, SERRATION	4				
25	93305-20511	.BEARING	1				
26	99009-52500	.CIRCLIP	1				
27	90201-16023	WASHER, PLATE	2				



**FIG. 12 FRONT SUSPENSION**

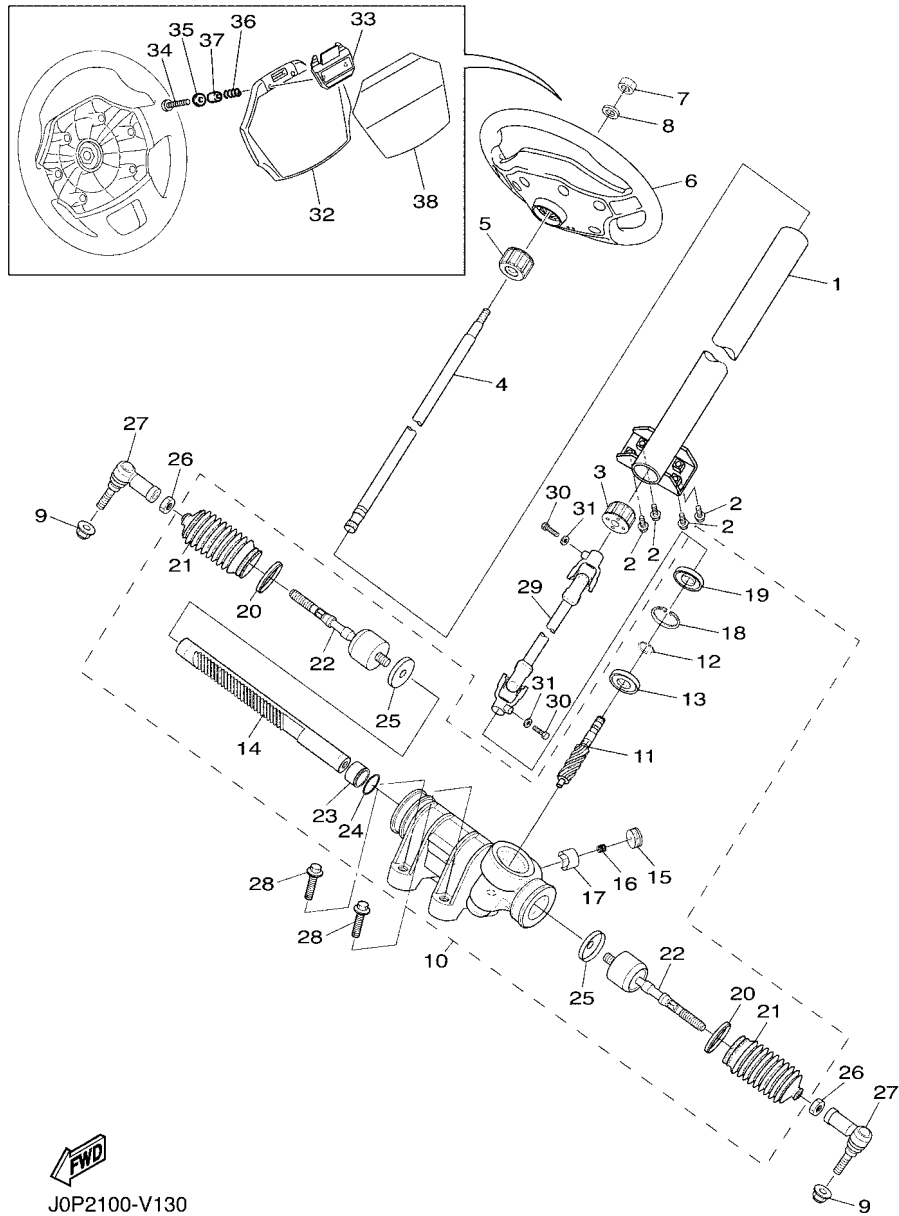
REF. NO.	PART NO.	DESCRIPTION	J0G2			REMARKS
28	95602-16100	NUT, U	2			
29	JN6-F5118-01	COVER, HUB DUST	2			
30	J0G-F1415-00	BRACKET, FRONT UPPER 1	1			
31	J0G-F1998-00	SPACER	2			
32	J0M-F1417-00	BRACKET, FRONT LOWER 1	2			
33	JW3-G6521-00	DRUM	2			



J0P2100-V130

FIG. 13 STEERING

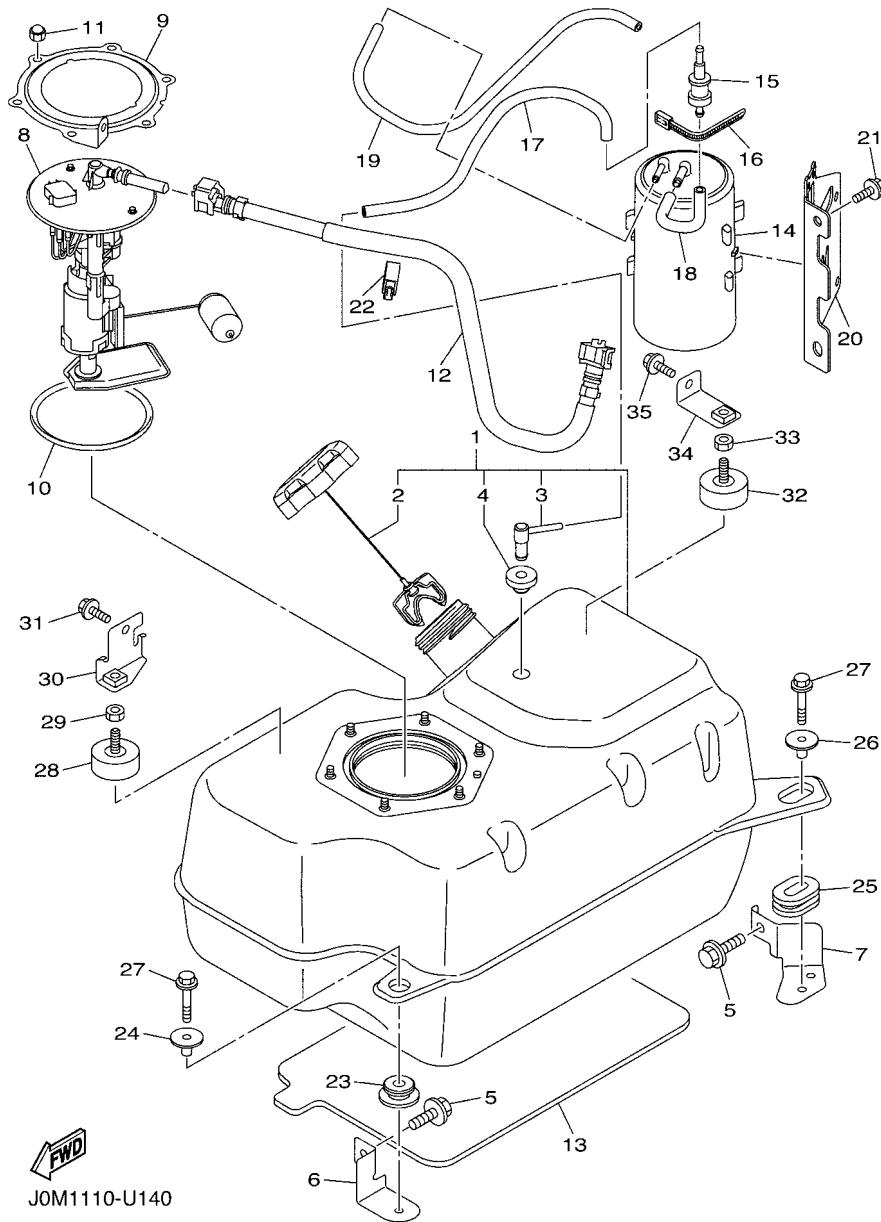
REF. NO.	PART NO.	DESCRIPTION	QTY	REMARKS
1	J0G-F3811-00	COLUMN, STEERING	1	
2	95812-08020	BOLT, FLANGE	4	
3	JU0-F3857-20	HOLDER	1	
4	JU0-F3828-10	ROD, STEERING	1	
5	JU0-F3857-20	HOLDER	1	
6	J0B-F3838-00	WHEEL, STEERING	1	
7	90185-12008	NUT, SELF-LOCKING	1	
8	92902-12200	WASHER	1	
9	90185-12811	NUT, SELF-LOCKING	2	
10	JW1-F3400-00	STEERING ASSY	1	
11	JW1-F387A-00	.GEAR, PINION	1	
12	JW1-F3183-00	.CIRCLIP	1	
13	JW1-F3812-00	.BEARING, STEERING	1	
14	JW1-F387E-00	.GEAR, RACK	1	
15	5UG-F387G-00	.COVER, ADJUST	1	
16	5UG-F387K-00	.SPRING, PRESSURE	1	
17	5UG-F387F-00	.PAD, PRESSURE	1	
18	5UG-F387J-00	.RING, STOPPER	1	
19	5UG-F3844-00	.SEAL	1	
20	5UG-F3489-00	.BAND	2	
21	5UG-F3527-00	.SEAL, DUST 1	2	
22	JW1-F3837-00	.ROD, TIE 2	2	
23	JW1-F467K-00	.BUSH, CAP	1	
24	JW1-F3866-00	.CIRCLIP	1	
25	JW1-F3894-00	.WASHER, LOCK 1	2	
26	1P0-F3833-00	NUT 1	2	
27	5B4-23841-00	JOINT, UNIVERSAL 1	2	



J0P2100-V130

FIG. 13 STEERING

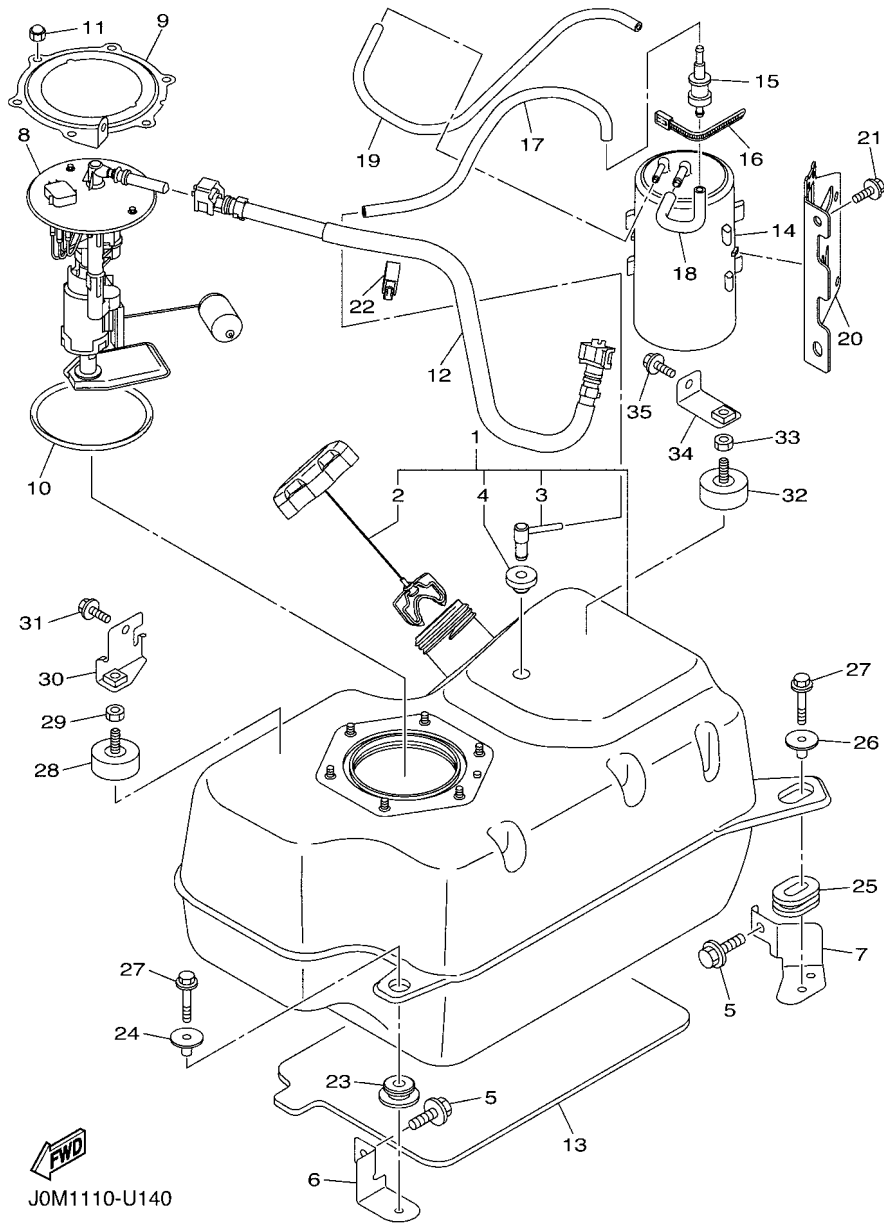
REF. NO.	PART NO.	DESCRIPTION	J0G2				REMARKS
28	90105-10847	BOLT, FLANGE	4				
29	JW1-F3822-01	JOINT 1	1				
30	97012-08030	BOLT	2				
31	92902-08600	WASHER, PLATE	2				
32	J0G-K8357-00	HOLDER 1	1				
33	J0B-K8358-00	HOLDER 2	1				
34	J0B-K7387-00	SCREW	2				
35	90201-04810	WASHER, PLATE	2				
36	J0B-K7363-00	SPRING	2				
37	J0B-K7115-00	COLLAR	2				
38	J0G-K7762-10	LABEL, WARNING 2	1				UR ENGLISH/FRENCH
	J0G-K7762-20	LABEL, WARNING 2	1				UR GERMAN/SPANISH



JOM1110-U140

FIG. 14 FUEL TANK

REF. NO.	PART NO.	DESCRIPTION	JOG2				REMARKS
1	J0G-F4111-01	TANK, FUEL	1				
2	JW1-F4610-11	.CAP ASSY	1				
3	JW1-F4112-00	.PIPE	1				
4	JU5-F4375-00	.GROMMET	1				
5	90105-08867	BOLT, FLANGE	2				
6	J0G-F194N-00	BRACKET, FUEL TANK 1	1				
7	J0G-F194R-00	BRACKET, FUEL TANK 2	1				
8	J0G-13907-00	FUEL PUMP COMP.	1				
9	J0G-24491-00	BRACKET, FUEL PUMP	1				
10	1S3-24486-00	O-RING	1				
11	95302-06800	NUT, CROWN	6				
12	J0G-13971-00	PIPE, FUEL 1	1				
13	J0G-K8244-00	MAT, REAR BODY SIDE (RH)	1				
14	7CC-F4170-01	CANISTER ASSY	1				
15	4WM-24180-00	ROLL OVER VALVE ASSY	1				
16	90464-40825	CLAMP	1				
17	J0G-F4314-00	PIPE 4	1				
18	JW7-F4316-00	PIPE 6	1				
19	J0G-F4317-00	PIPE 7	1				
20	J0G-F419A-00	HOLDER	1				
21	JW1-F1738-00	BOLT	2				
22	90464-18246	CLAMP	1				
23	90480-18016	GROMMET	1				
24	90387-066J1	COLLAR	1				
25	90480-01400	GROMMET	1				
26	90387-066J1	COLLAR	1				
27	95802-06030	BOLT, FLANGE	2				



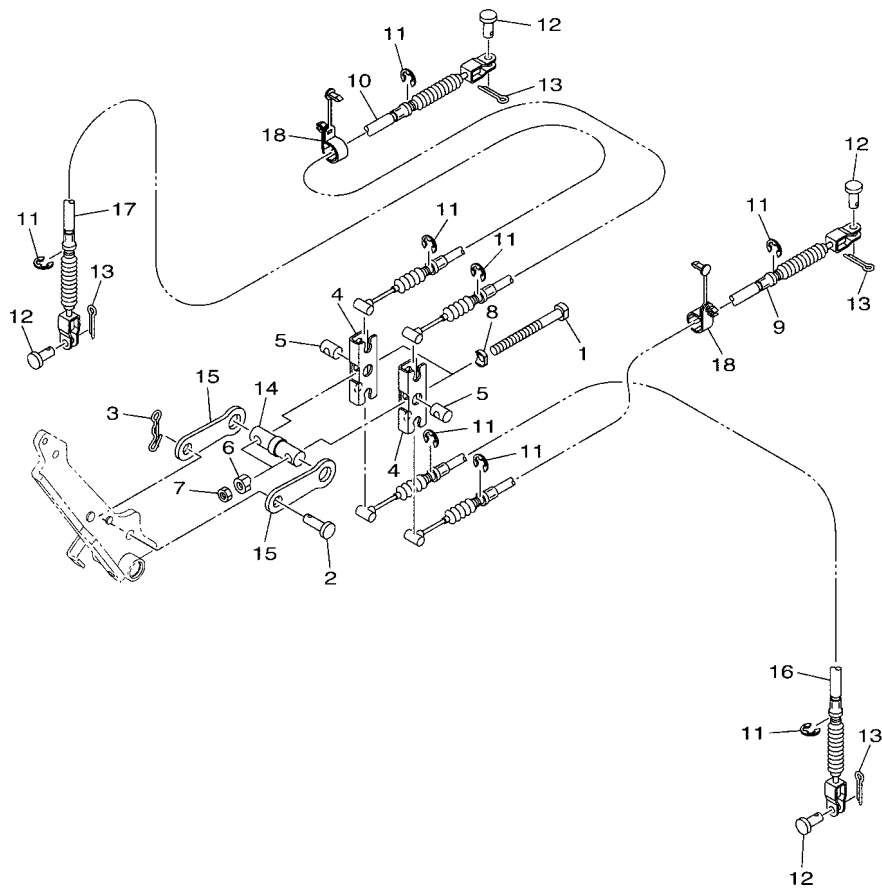
JOM1110-U140

**FIG. 14 FUEL TANK**

REF. NO.	PART NO.	DESCRIPTION	JOG2				REMARKS
28	J0G-K8167-00	BUMPER, RUBBER 1	1				
29	95302-08700	NUT, HEXAGON	1				
30	J0G-F2546-01	BRKT. ,BUMP STOPPER 1	1				
31	90105-06831	BOLT, FLANGE	1				
32	J0G-K8167-00	BUMPER, RUBBER 1	1				
33	95302-08700	NUT, HEXAGON	1				
34	J0G-F2547-00	BRKT. ,BUMP STOPPER 2	1				
35	90105-06831	BOLT, FLANGE	1				



**FIG. 15 PEDAL WIRE**



REF. NO.	PART NO.	DESCRIPTION	JOG2				REMARKS
1	JW7-27227-00	BOLT, AJUSTING	2				
2	91702-10022	PIN, CLEVIS	1				
3	90468-20196	CLIP	1				
4	JW7-F5681-00	EQUALIZER, BRAKE	2				
5	90249-14129	PIN	2				
6	JW7-27238-00	NUT, ADJUSTING	2				
7	95302-08700	NUT, HEXAGON	2				
8	JW7-27213-00	COLLAR	2				
9	JOG-26341-00	WIRE, BRAKE 1	1				
10	JW7-26351-10	CABLE, BRAKE	1				
11	99002-09600	CIRCLIP	8				
12	91702-08018	PIN, CLEVIS	4				
13	91490-25020	PIN, COTTER	4				
14	JW7-27229-00	PIN, JOINT	1				
15	JW7-27275-00	PLATE	2				
16	JOG-26361-00	CABLE, BRAKE	1				
17	JOG-26373-00	CABLE, BRAKE 4	1				
18	JW7-F312H-00	CLAMP	2				



JW31110-P050

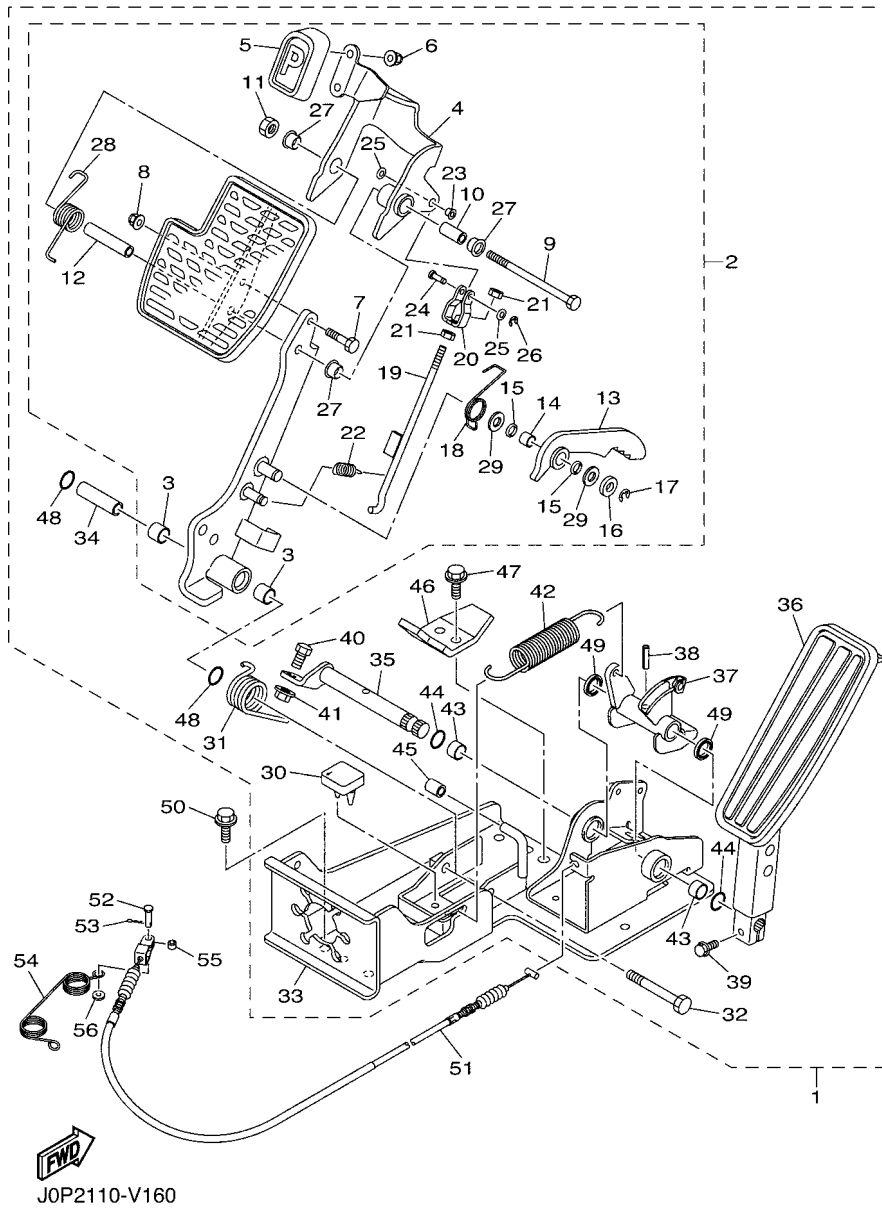


FIG. 16 PEDAL ASSEMBLY

REF. NO.	PART NO.	DESCRIPTION	JOG2				REMARKS
1	J0G-F7850-20	PEDAL ASSY (L.H)	1				
2	J0G-F7200-02	.PEDAL, BRAKE	1				
3	JW8-F7814-21	.BUSH, PEDAL	2				
4	J0G-F5671-00	..PEDAL, PARKING BRAKE	1				
5	J0G-F7854-00	..COVER, PEDAL	1				
6	95607-06200	..NUT, SELF U-FLANGE	2				
7	97012-06020	..BOLT	1				
8	JW8-F8363-00	..NUT	1				
9	J0G-F7416-00	..BOLT, FOOTREST	1				
10	JW8-F639N-00	..COLLAR	1				
11	J0G-F7218-00	..NUT	1				
12	J0G-F7313-00	..COLLAR	1				
13	JW9-F5666-00	..SECTOR, PARKING BRAKE	1				
14	JW8-F7121-00	..BUSH	1				
15	JW9-F7221-00	..SEAL, SHAFT	2				
16	JW8-F7322-00	..WASHER	1				
17	JW8-F3183-00	..CIRCLIP	1				
18	JW8-F7426-01	..SPRING, RETURN	1				
19	JW9-F7231-10	..ROD, BRAKE	1				
20	JW9-F7232-00	..END, ROD 2	1				
21	JW8-F7318-00	..NUT	2				
22	JW8-F6314-00	..SPRING	1				
23	J0G-F7814-00	..BUSH, PEDAL	1				
24	JW9-F7228-00	..PIN, JOINT	1				
25	JW8-F8323-00	..WASHER, LEG SHIELD	2				
26	JW8-F5415-00	..CIRCLIP	1				
27	90386-12800	..BUSH	3				

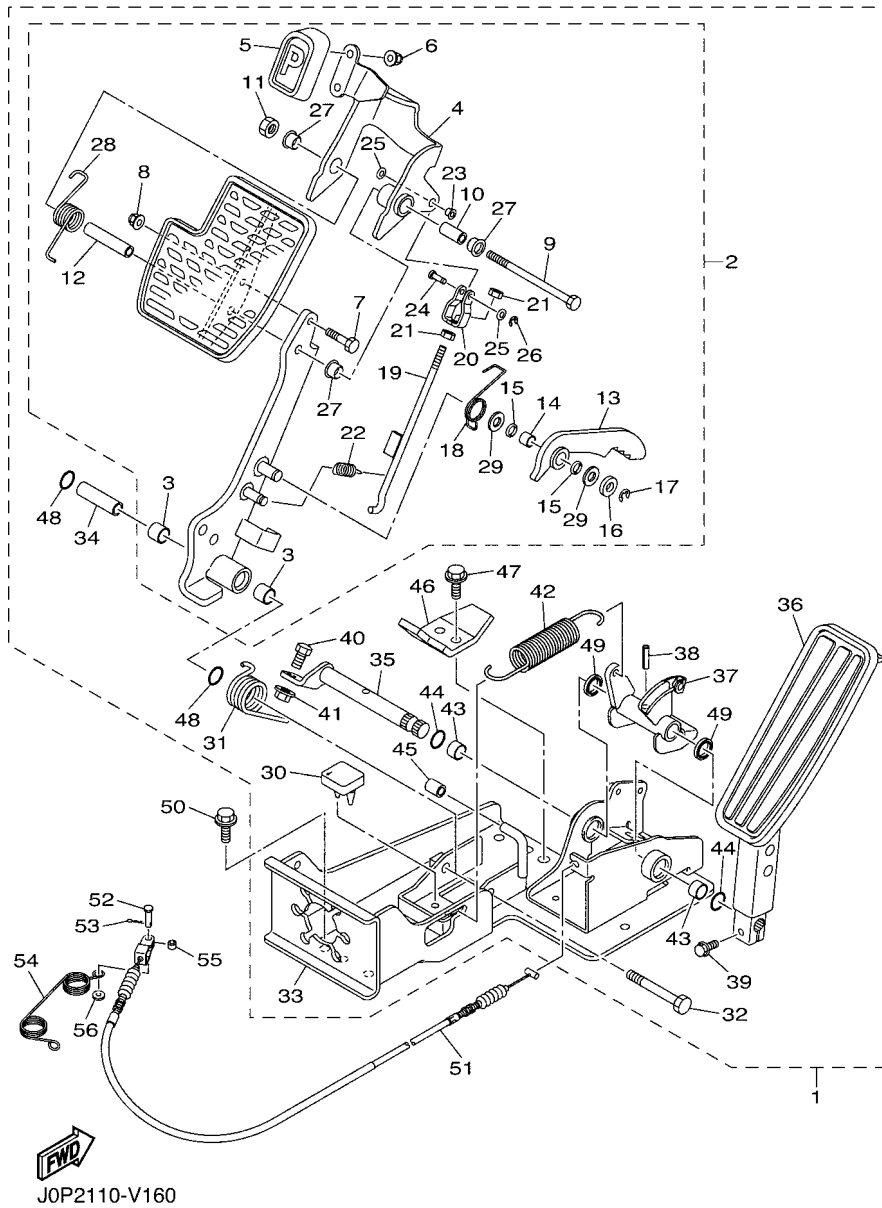
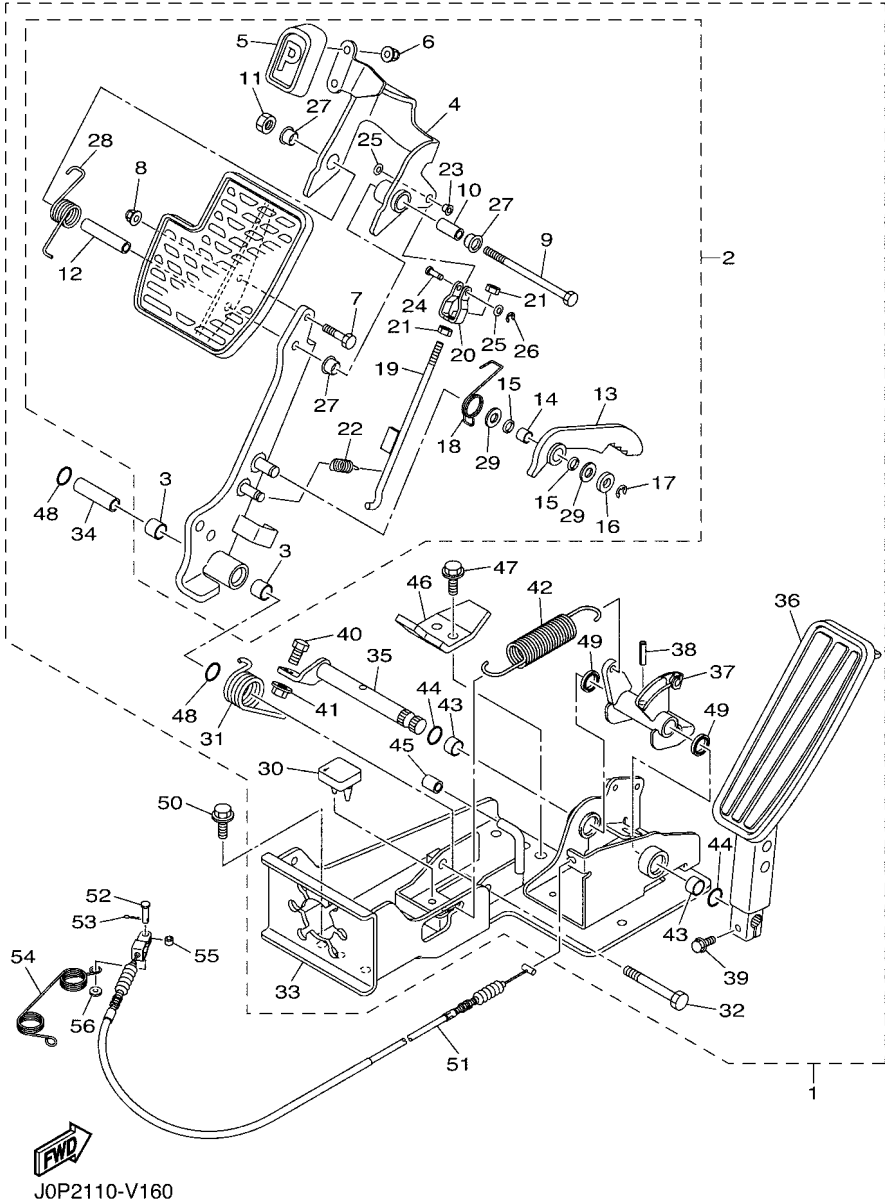


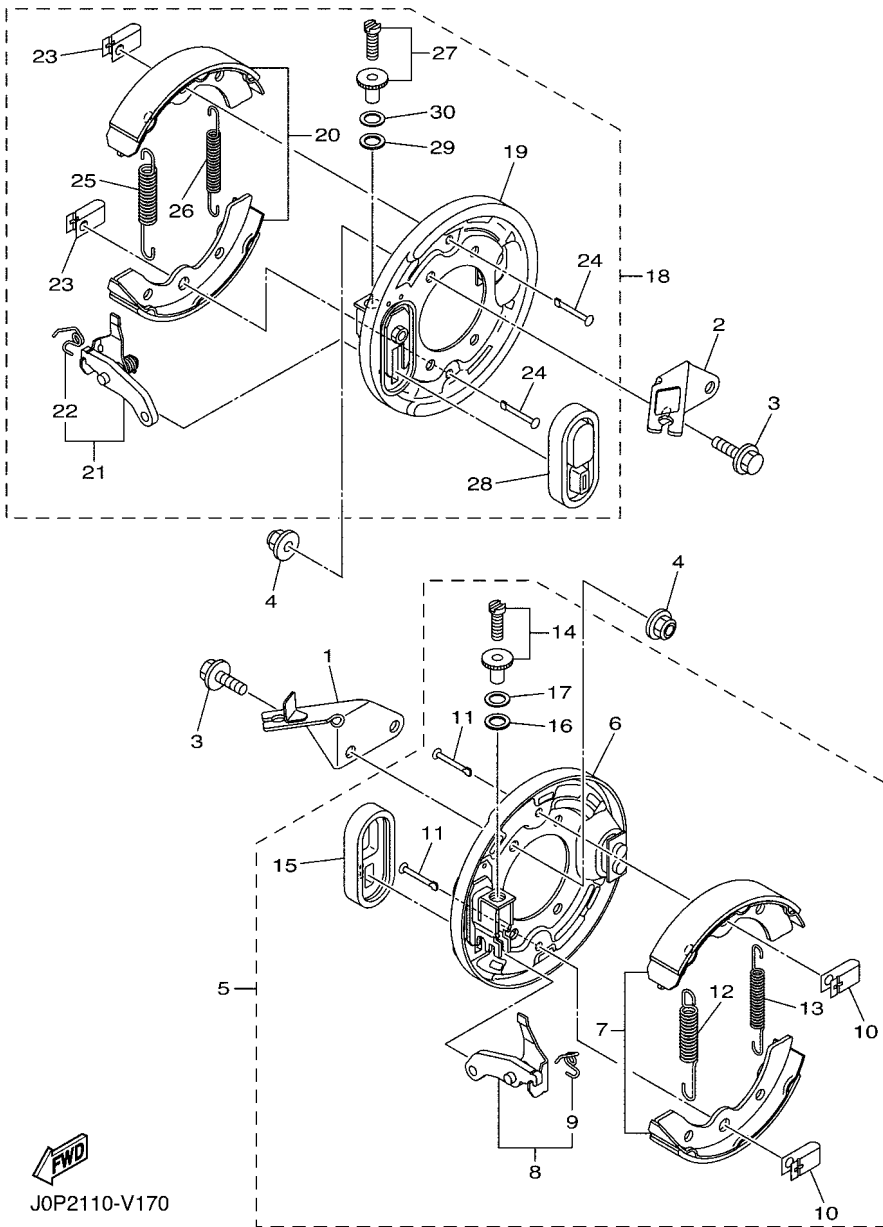
FIG. 16 PEDAL ASSEMBLY

REF. NO.	PART NO.	DESCRIPTION	JOG2				REMARKS
28	J0G-F7825-00	..SPRING, RETURN	1				
29	JW8-F7119-00	..WASHER	2				
30	JW9-F7245-10	..PAD, BRAKE PEDAL	1				
31	JW8-F7316-01	..SPRING, SIDE STAND	1				
32	JW8-F7217-00	..BOLT	1				
33	J0G-F7445-10	..PLATE 1	1				
34	JW8-F7213-20	..COLLAR	1				
35	J0G-F7853-10	..SHAFT, PEDAL 1	1				
36	J0G-F7871-01	..PEDAL, ACCELERATOR	1				
37	J0G-F7872-00	..ARM, ACCELERATOR PEDAL	1				
38	JW8-F7438-00	..PIN, CLEVIS	1				
39	JW8-F7434-00	..BOLT	1				
40	JW8-F7317-00	..BOLT	1				
41	JW8-F7118-00	..NUT	1				
42	J0G-F815H-10	..SPRING	1				
43	J0G-F5922-00	..WASHER	2				
44	JW8-F4486-00	..O-RING	2				
45	JW9-F5673-00	..DAMPER, BRAKE	1				
46	JW9-F7246-20	..NAIL, BRAKE	1				
47	JW8-F8331-00	..BOLT, LEG SHIELD	2				
48	JW8-F4486-00	..O-RING	2				
49	J0G-F3145-00	..OIL SEAL	2				
50	95812-08020	BOLT, FLANGE	6				
51	J0G-F6311-00	WIRE, THROTTLE 1	1				
52	91702-05014	PIN, CLEVIS	1				
53	90468-10049	CLIP	1				
54	90508-16460	SPRING, TORSION	1				

**FIG. 16 PEDAL ASSEMBLY**



REF. NO.	PART NO.	DESCRIPTION	JOG2				REMARKS
55	90560-05001	SPACER	1				
56	JW8-G2181-00	WASHER	1				



J0P2110-V170

FIG. 17 BRAKE 1

REF. NO.	PART NO.	DESCRIPTION	JOG2				REMARKS
1	JW7-F7263-00	BRACKET 1	1				
2	JW7-F7264-00	BRACKET 2	1				
3	90105-081A7	BOLT, FLANGE	8				
4	95602-08200	NUT, U FLANGE	8				
5	JN9-27280-10	BACKING PLATE ASSY 1	1				
6	JH2-27208-01	.BACKING PLATE SUB ASSY 1	1				
7	JN9-W2536-11	.BRAKE SHOE SET	1				
8	J38-27204-00	.LEVER ASSY 1	1				
9	J55-25358-00	..SPRING, RETURN	1				
10	J10-27281-00	.SPRING, SHOE CLAMP	2				
11	J10-27282-00	.PIN, SHOE HOLD DOWN	2				
12	90506-20281	.SPRING, TENSION	1				
13	90506-14001	.SPRING, TENSION	1				
14	J55-27270-00	.ADJUSTER ASSY	1				
15	J10-27286-00	.COVER, DUST	1				
16	90201-121H8	.WASHER, PLATE	1				
17	90201-121H9	.WASHER, PLATE	1				
18	JN9-27290-10	BACKING PLATE ASSY 2	1				
19	JH2-27209-01	.BACKING PLATE SUB ASSY 2	1				
20	JN9-W2536-11	.BRAKE SHOE SET	1				
21	J38-27205-00	.LEVER ASSY 2	1				
22	J55-25357-00	..SPRING, LEVER RETURN	1				
23	J10-27281-00	.SPRING, SHOE CLAMP	2				
24	J10-27282-00	.PIN, SHOE HOLD DOWN	2				
25	90506-20281	.SPRING, TENSION	1				
26	90506-14001	.SPRING, TENSION	1				
27	J55-27260-00	.ADJUSTER ASSY	1				

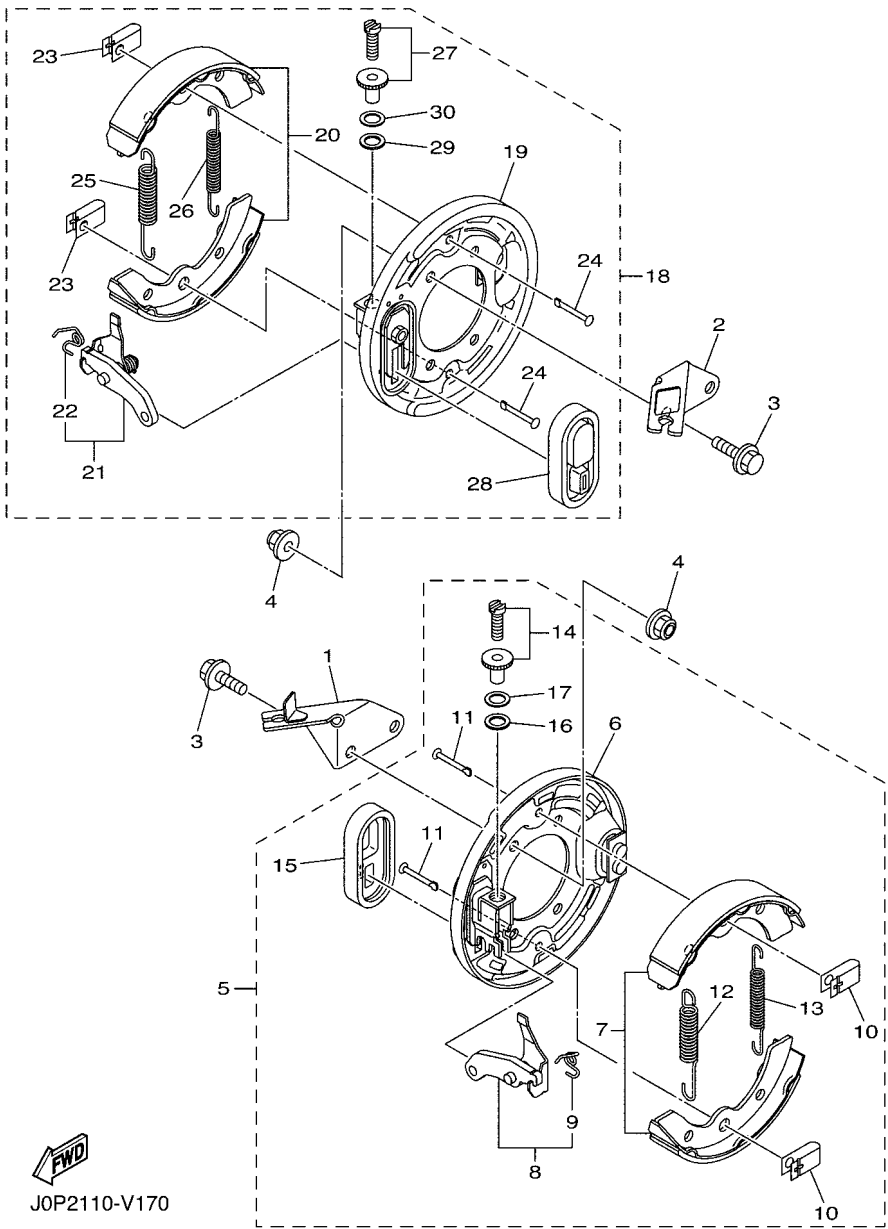
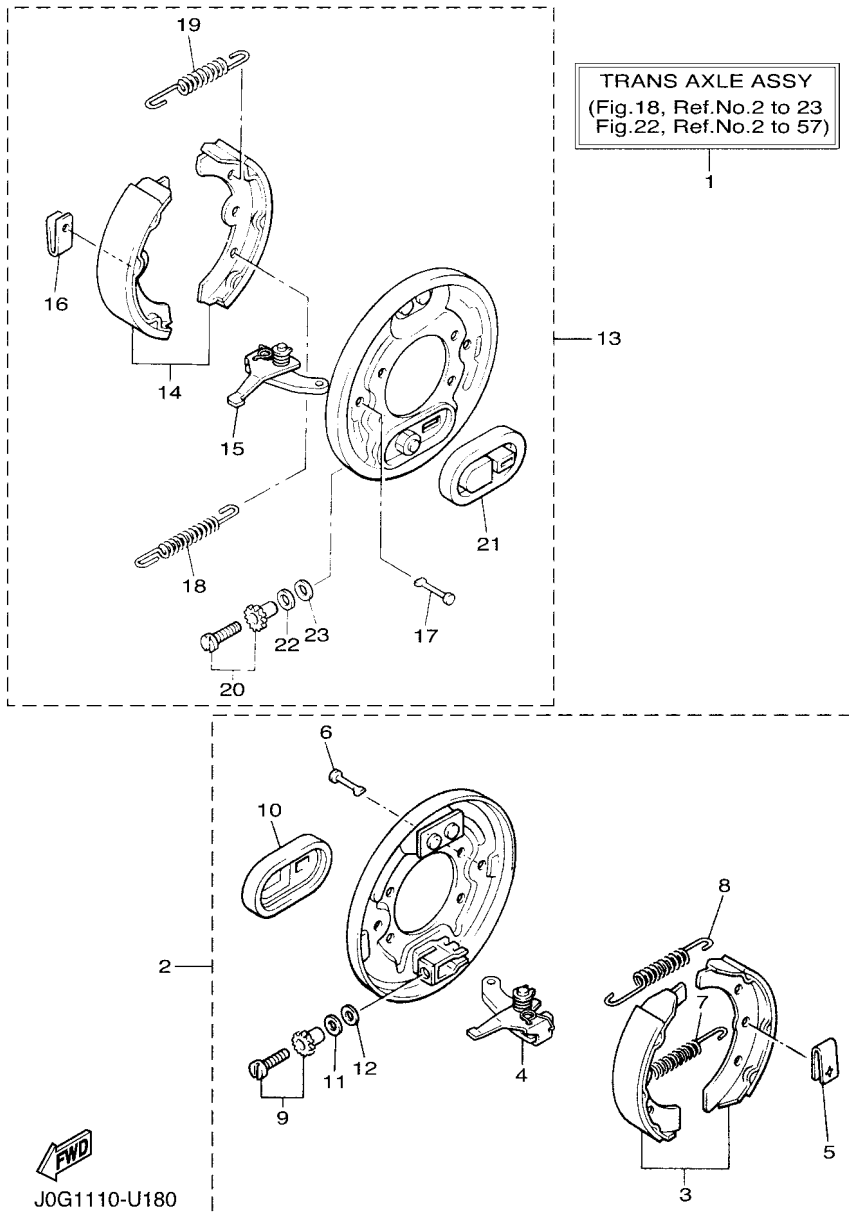


FIG. 17 BRAKE 1

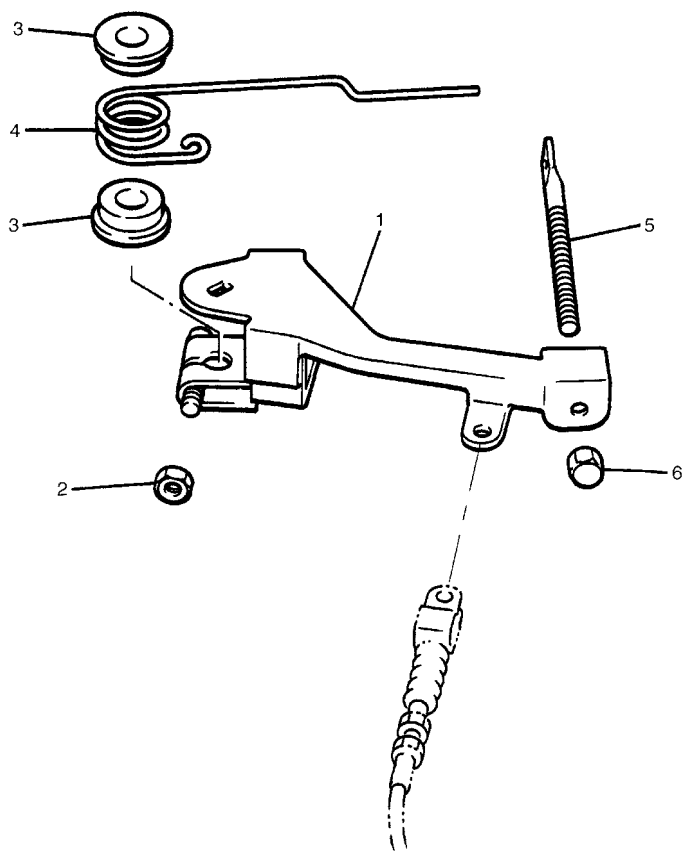
REF. NO.	PART NO.	DESCRIPTION	J0G2				REMARKS
28	J10-27286-00	.COVER, DUST	1				
29	90201-121H8	.WASHER, PLATE	1				
30	90201-121H9	.WASHER, PLATE	1				
<hr/>							
<hr/>							
<hr/>							
<hr/>							
<hr/>							
<hr/>							
<hr/>							

**FIG. 18 BRAKE 2**



REF. NO.	PART NO.	DESCRIPTION	J0G2				REMARKS
1	J0G-G6300-10	TRANS AXLE ASSY	1				
2	JW8-F7290-10	..BACKING PLATE ASSY 2	1				
3	JN9-W2536-11	..BRAKE SHOE SET	1				
4	J38-27205-00	..LEVER ASSY 2	1				
5	JW8-F7281-00	..SPRING, SHOE CLAMP	2				
6	J10-27282-00	..PIN, SHOE HOLD DOWN	2				
7	90506-20281	..SPRING, TENSION	1				
8	90506-14001	..SPRING, TENSION	1				
9	J55-27260-00	..ADJUSTER ASSY	1				
10	JW8-F7286-00	..COVER, DUST	1				
11	90201-121H9	..WASHER, PLATE	1				
12	90201-121H8	..WASHER, PLATE	1				
13	JW8-F7280-10	..BACKING PLATE ASSY 1	1				
14	JN9-W2536-11	..BRAKE SHOE SET	1				
15	J38-27204-00	..LEVER ASSY 1	1				
16	JW8-F7281-00	..SPRING, SHOE CLAMP	2				
17	J10-27282-00	..PIN, SHOE HOLD DOWN	2				
18	90506-20281	..SPRING, TENSION	1				
19	90506-14001	..SPRING, TENSION	1				
20	J55-27270-00	..ADJUSTER ASSY	1				
21	JW8-F7286-00	..COVER, DUST	1				
22	90201-121H9	..WASHER, PLATE	1				
23	90201-121H8	..WASHER, PLATE	1				

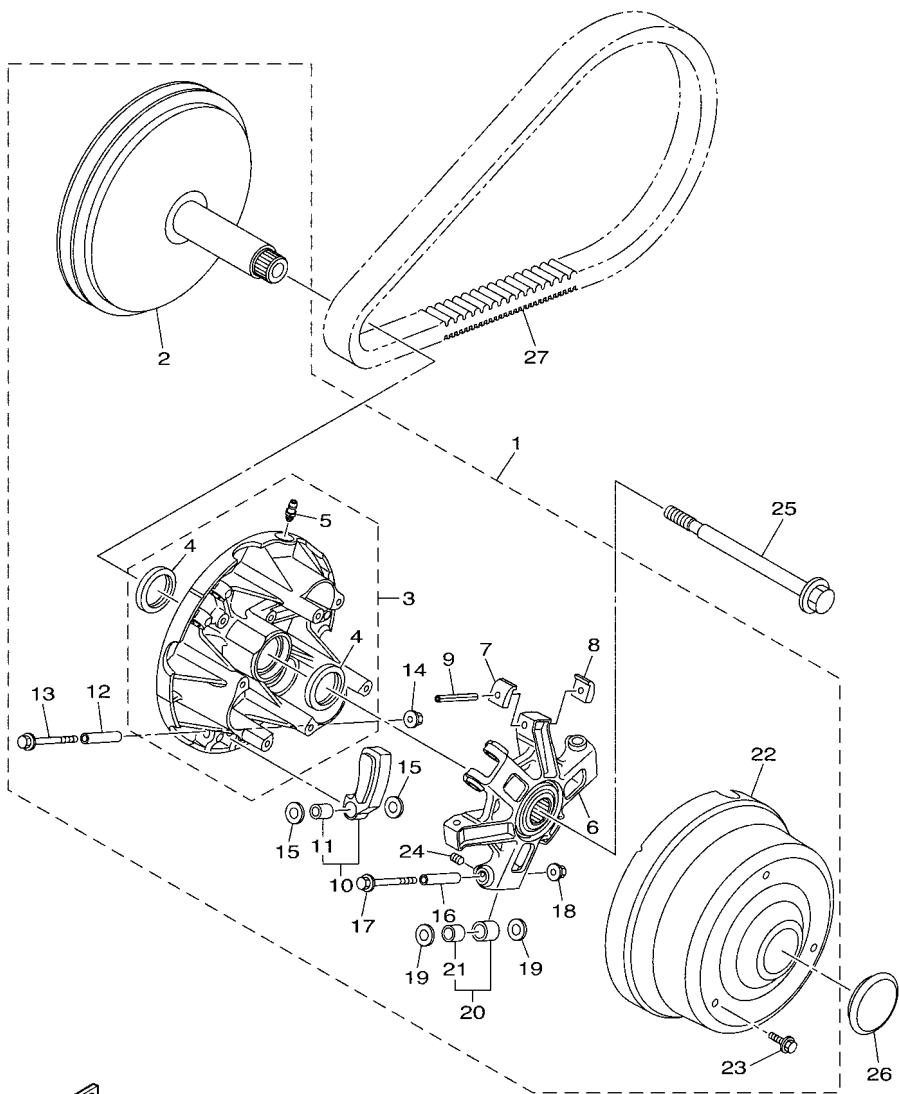
**FIG. 19 GOVERNOR**



REF. NO.	PART NO.	DESCRIPTION	JOG2				REMARKS
1	J38-27951-00	LEVER, SPEED LIMITER	1				
2	95302-06600	NUT, HEXAGON	1				
3	90386-08141	BUSH	2				
4	90508-40021	SPRING, TORSION	1				
5	J38-27959-00	SCREW, ADJUSTING	1				
6	95602-06200	NUT, SELF-LOCKING	1				

 JT71010-B190

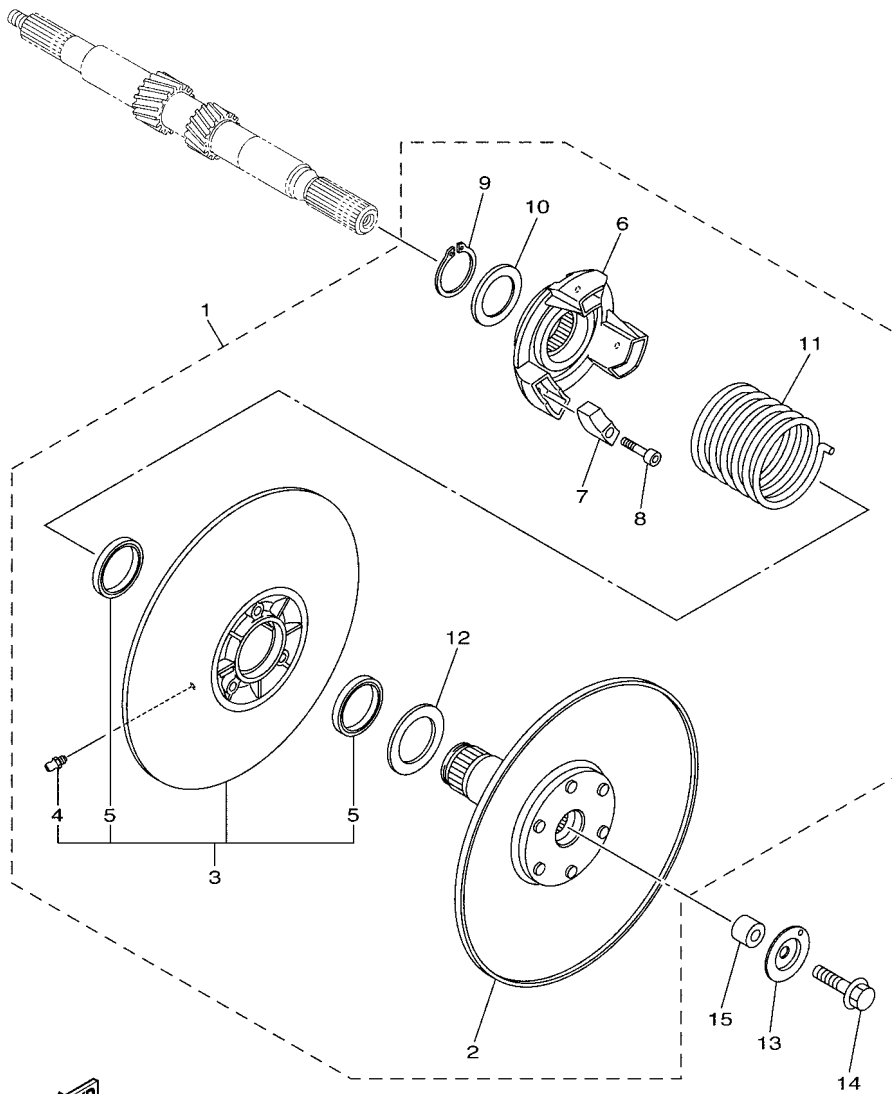




J0F1110-U190

**FIG. 20 PRIMARY SHEAVE**

REF. NO.	PART NO.	DESCRIPTION	J0G2				REMARKS
1	J0G-G6201-02	PRIMARY CLUTCH ASSY	1				
2	JW8-G6210-01	.PRIMARY FIXED SHEAVE COMP.	1				
3	J0G-G6220-02	.PRIMARY SLIDING SHEAVE COMP.	1				
4	JW8-G624A-00	.OIL SEAL 1	2				
5	JW8-F135J-00	.NIPPLE	1				
6	J0G-G6251-02	.SPIDER	1				
7	J0G-E7653-00	.SLIDER	3				
8	J0G-E7653-00	.SLIDER	3				
9	91609-50032	.PIN, SPRING	3				
10	J0G-E7605-01	.WEIGHT COMP	3				
11	90386-08002	.BUSH	1				
12	J0G-G3127-00	.COLLAR	3				
13	90105-05644	.BOLT, FLANGE	3				
14	95602-05200	.NUT, SELF-LOCKING	3				
15	90202-08204	.WASHER, PLATE	6				
16	J0G-G3137-00	.COLLAR	3				
17	90105-05644	.BOLT, FLANGE	3				
18	95602-05200	.NUT, SELF-LOCKING	3				
19	90202-09227	.WASHER, PLATE	6				
20	J0G-E7624-00	.ROLLER, COMP	3				
21	90386-09001	.BUSH	1				
22	J0G-G6231-01	.CAP	1				
23	90119-06137	.BOLT, WITH WASHER	3				
24	92A08-05308	.SCREW	6				
25	JW8-G6249-00	BOLT	1				
26	JW8-G7339-00	PLUG	1				
27	J0G-G6241-00	BELT	1				



J0D2100-T210

**FIG. 21 SECONDARY SHEAVE**

REF. NO.	PART NO.	DESCRIPTION	JOG2				REMARKS
1	JW8-G6202-23	SECONDARY SHEAVE ASSY	1				
2	JW8-G6260-23	.SECONDARY FIXED SHEAVE COMP.	1				
3	JW8-G6270-21	.SECONDARY SLIDING SHEAVE COMP.	1				
4	JW8-F135J-00	.NIPPLE	1				
5	JW8-G624B-00	.OIL SEAL 2	2				
6	JW8-G6284-10	.SEAT, SECONDARY SPRING	1				
7	JW8-E7688-00	.SHOE, RAMP	3				
8	JW8-G6159-00	.BOLT 3	3				
9	JW8-G5531-00	.CLIP, DRIVE SHAFT	1				
10	JW8-G6374-00	.COLLAR, SPRING	1				
11	JW8-G6275-10	.SPRING, CLUTCH 1	1				
12	JW8-G5677-00	.WASHER	1				
13	90209-08013	WASHER	1				
14	90105-08260	BOLT, FLANGE	1				
15	JW8-G5697-20	COLLAR	1				

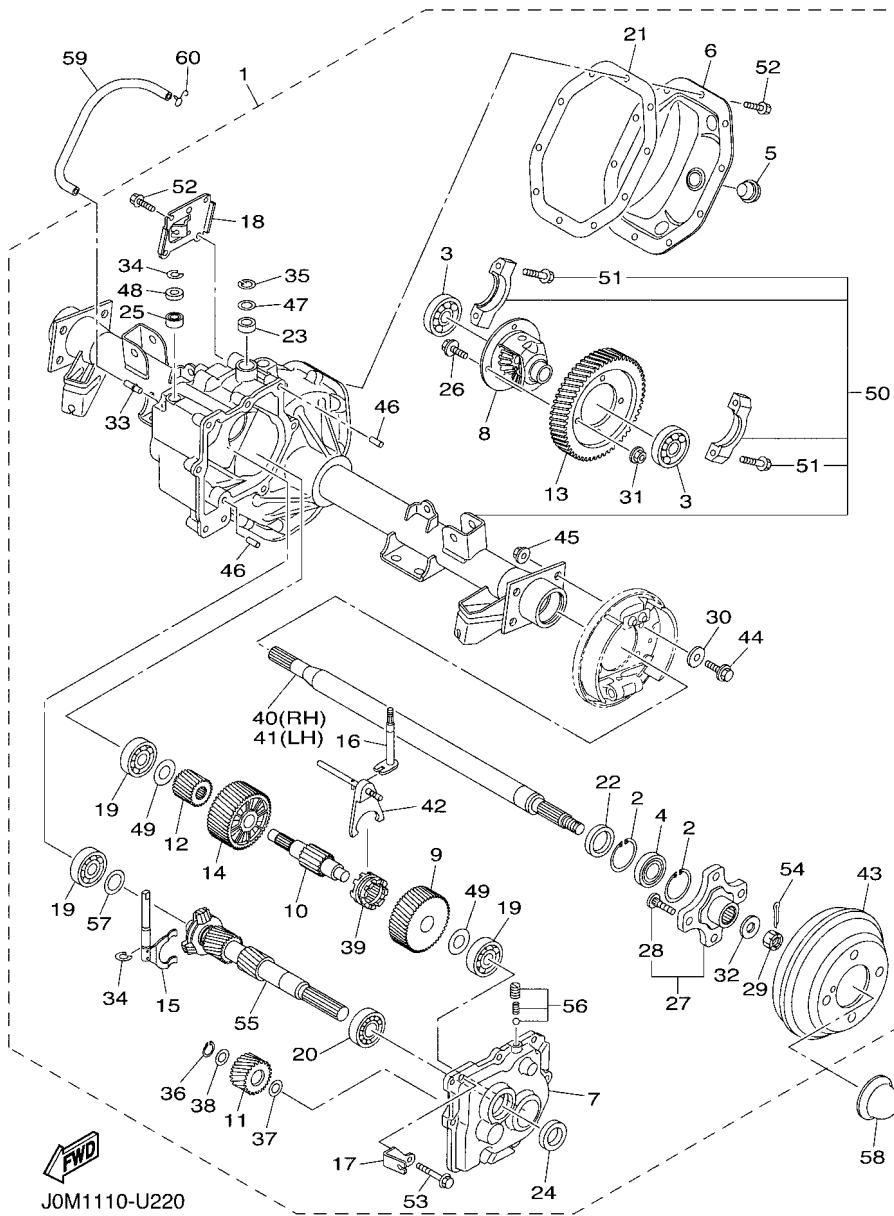
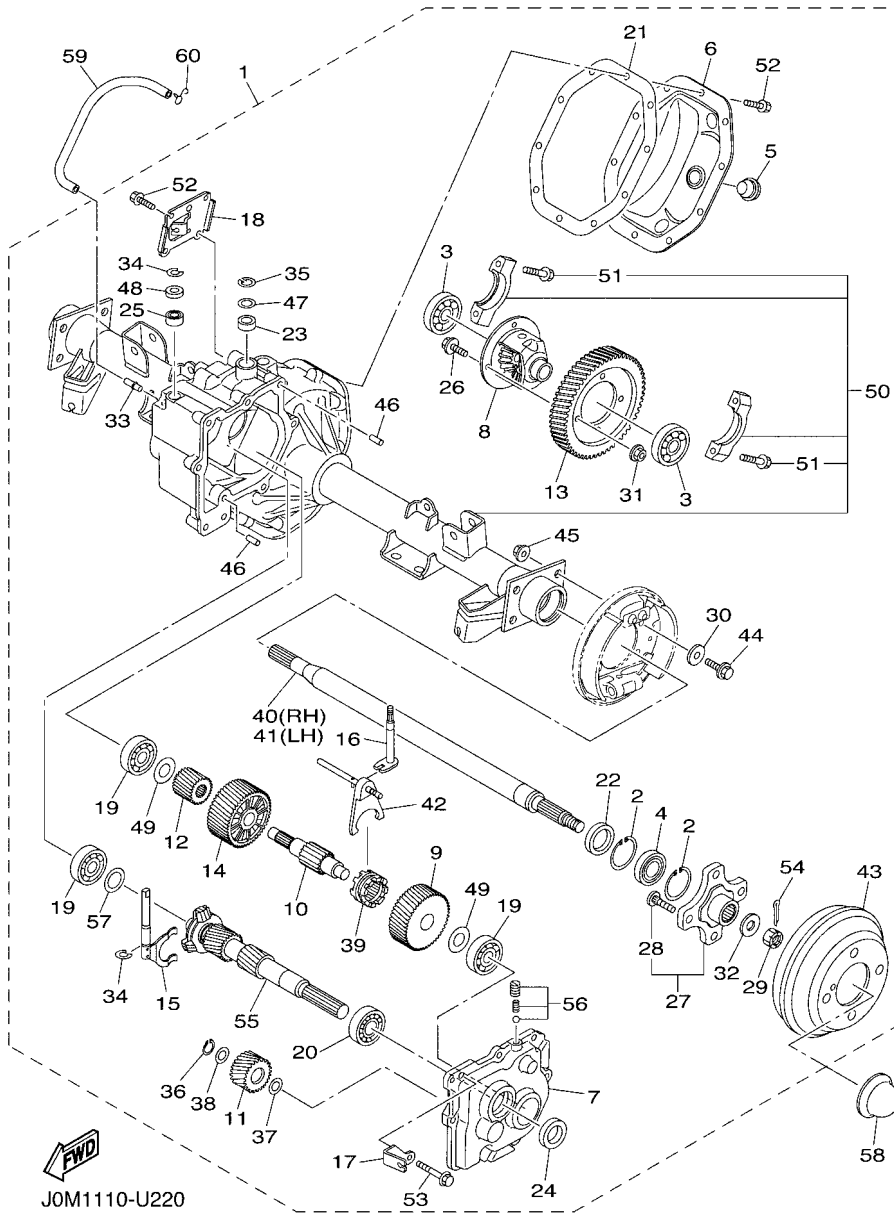


FIG. 22 TRANSAXLE

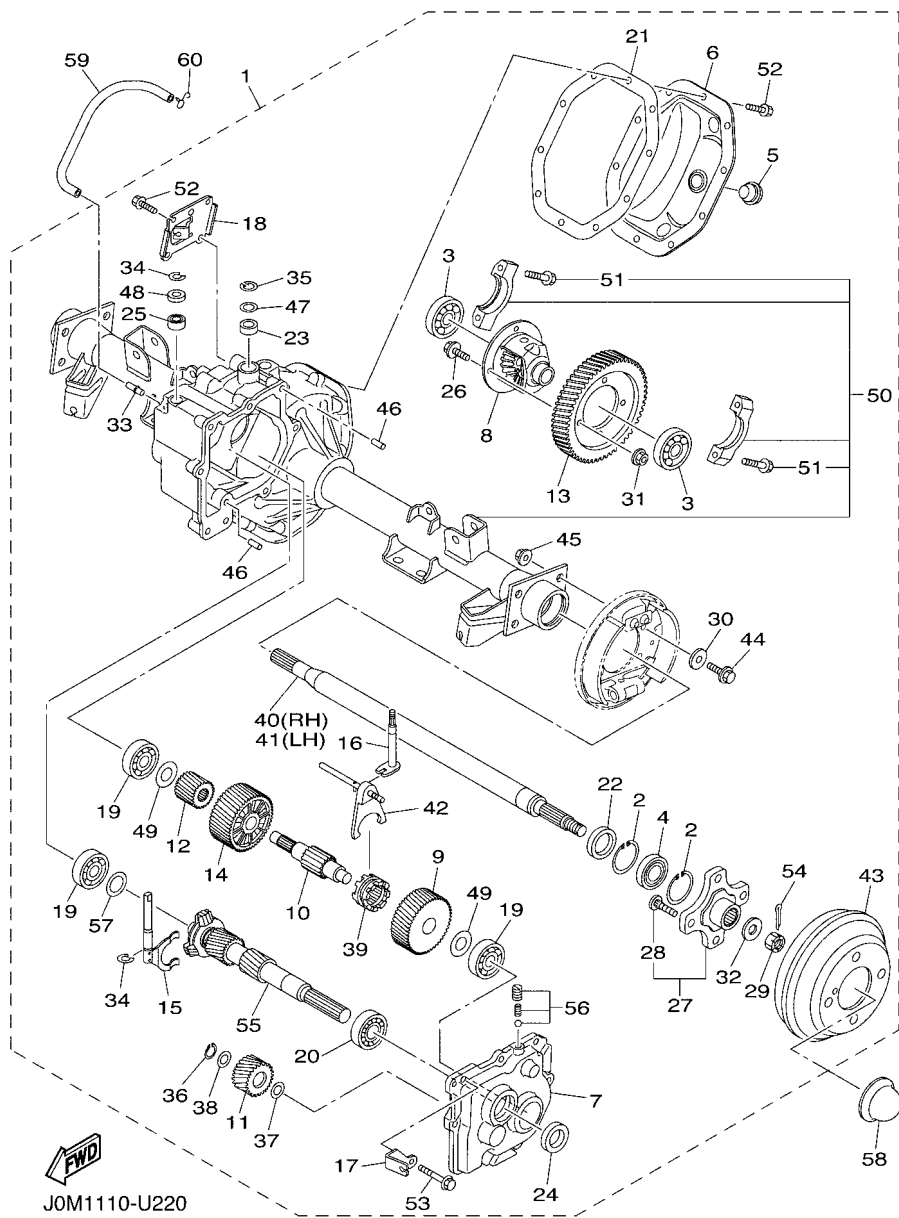
REF. NO.	PART NO.	DESCRIPTION	JOG2				REMARKS
1	J0G-G6300-10	TRANS AXLE ASSY	1				
2	93420-52806	.CIRCLIP	4				
3	J0G-G6115-00	.BEARING ASSY	2				
4	J0G-G6106-00	.BEARING ASSY	2				
5	JN3-G6432-00	.STOPPER	1				
6	JW8-G6314-00	.COVER, TRANSMISSION	1				
7	JW8-G6313-10	.COVER, TRNMISSION	1				
8	J0G-G6410-00	.DIFFERENTIAL ASSY.	1				
9	JN3-G6327-00	.GEAR, WHEEL 2	1				
10	J0G-G633G-00	.SHAFT	1				
11	JN3-G6356-00	.GEAR, IDLER	1				
12	JN3-G6316-00	.GEAR, PINION 1	1				
13	JN3-G6355-00	.GEAR, PRIMARY	1				
14	JN3-G6326-00	.GEAR, WHEEL 1	1				
15	JW8-G633E-00	.BAR 1	1				
16	JW8-G638A-00	.BAR, SHIFT 1	1				
17	JW8-G6555-00	.BRACKET 2	1				
18	JW8-G1661-00	.BRACKET 1	1				
19	93306-303Y6	.BEARING	3				
20	93306-005Y1	.BEARING	1				
21	JU0-G631A-00	.GSKT., CASE	1				
22	93101-31836	.OIL SEAL	2				
23	93104-11829	.OIL SEAL	1				
24	93102-25868	.OIL SEAL	1				
25	93109-10820	.OIL SEAL	1				
26	JC1-G2544-00	.BOLT	4				
27	J0G-G6514-00	.HUB, REAR AXLE	2				



**FIG. 22 TRANSAXLE**

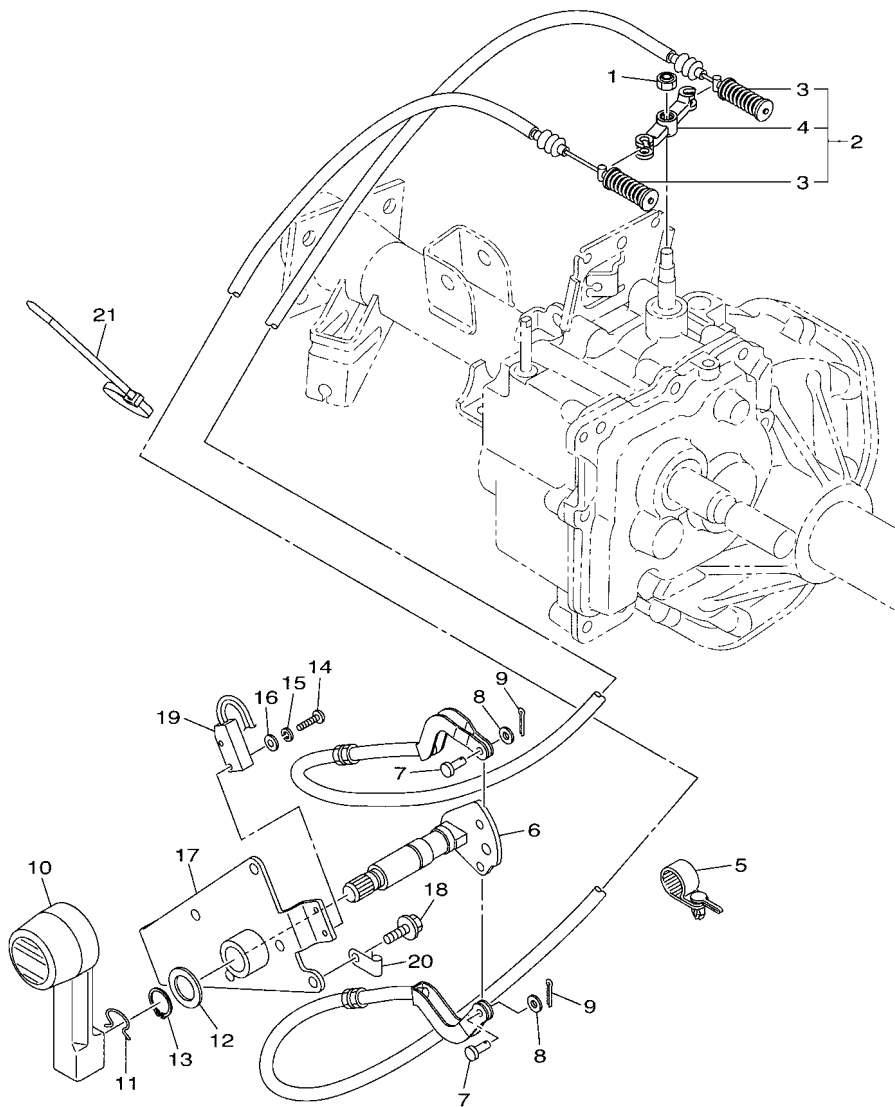
REF. NO.	PART NO.	DESCRIPTION	JOG2				REMARKS
28	JW8-G4178-00	.BOLT, STUD	8				
29	J0G-G5244-00	.NUT	2				
30	J0G-G2535-00	.WASHER, THRUST	8				
31	90170-10840	.NUT	4				
32	J0G-G2536-00	.WASHER, THRUST 2	2				
33	J0G-G5378-00	.NIPPLE, HOSE	1				
34	JU0-F722H-00	.RETAINER	2				
35	93410-12822	.CIRCLIP	1				
36	JW8-F47E3-00	.CIRCLIP	1				
37	90201-208H9	.WASHER, PLATE	1				
38	90201-208J0	.WASHER, PLATE	1				
39	JN3-G6153-00	.COLLAR, GUIDE	1				
40	J0G-G6512-00	.SHAFT, REAR AXLE 2 (R.H)	1				
41	J0G-G6511-00	.SHAFT, REAR AXLE 1 (L.H)	1				
42	JN6-G638E-00	.BAR, SHIFT 2	1				
43	JW3-G6521-00	.DRUM	2				
44	J0G-G3886-00	.BOLT	8				
45	J0G-G5721-00	.NUT, LOCK	8				
46	93606-10842	.PIN, DOWEL	2				
47	90202-12807	.WASHER, PLATE	1				
48	JU0-F723F-00	.WASHER, SPECIAL	1				
49	90201-178H8	.WASHER, PLATE	2				
50	J0G-G6290-00	.CASE ASSY	1				
51	90105-10840	.BOLT, FLANGE	4				
52	90101-08856	.BOLT	12				
53	90105-08859	.BOLT, FLANGE	7				
54	91490-30030	.PIN, COTTER	2				

FIG. 22 TRANSAXLE



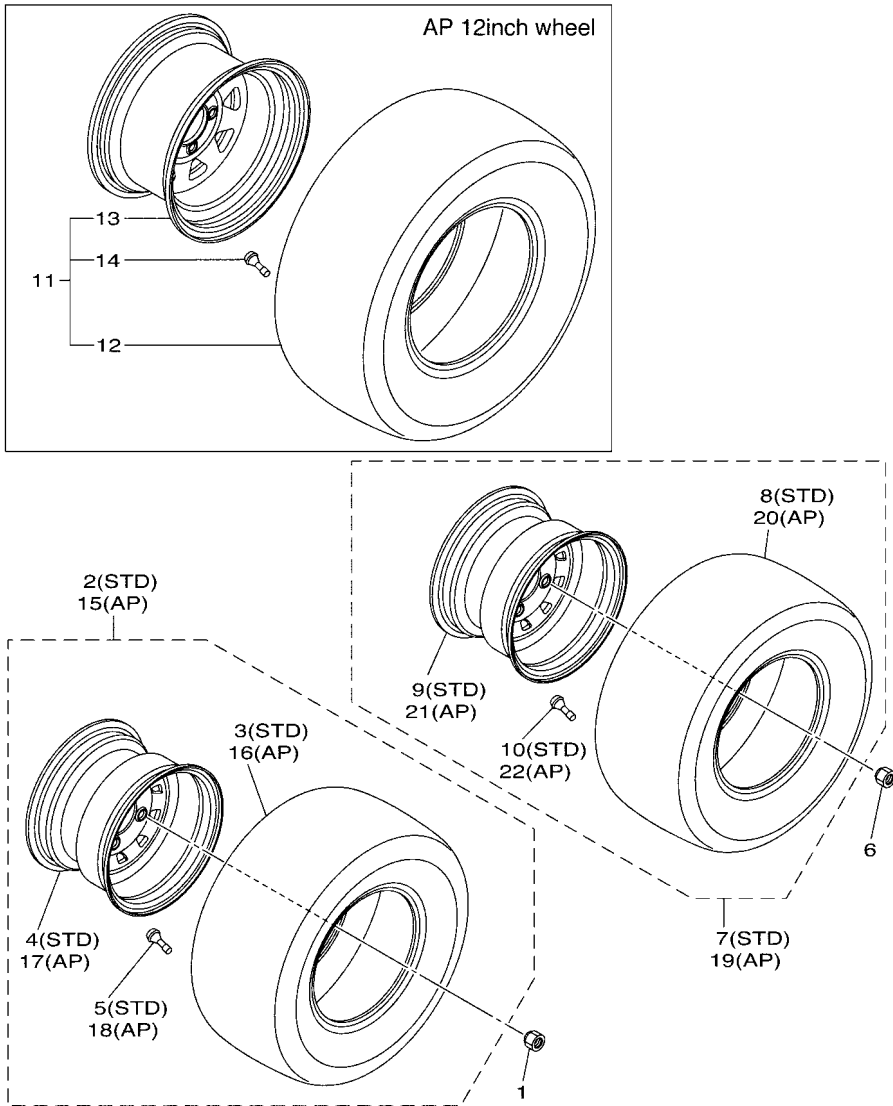
REF. NO.	PART NO.	DESCRIPTION	JOG2				REMARKS
55	JW8-G6320-00	.INPUT SHAFT ASSY	1				
56	JU0-G6376-00	.SPRING SET	1				
57	J0G-G6344-00	.SHIM	1				
58	JW8-F5118-00	COVER, HUB DUST	2				
59	JW8-G2541-00	PIPE 1	1				
60	90467-089U1	CLIP	1				

**FIG. 23 SHIFTER & CABLES**



J0G1110-U230

REF. NO.	PART NO.	DESCRIPTION	J0G2				REMARKS
1	95602-08100	NUT, U	1				
2	J0G-G8330-01	CABLE END ASSY	1				
3	J0G-G6371-01	.WIRE, SHIFT	2				
4	JW8-G6383-10	.LEVER, SHIFT 2	1				
5	JW7-F312H-00	CLAMP	1				
6	J0G-G6382-00	LEVER, SHIFT 1	1				
7	91702-06014	PIN, CLEVIS	2				
8	92902-06600	WASHER, PLATE	2				
9	91402-20012	PIN, COTTER	2				
10	JN3-G6381-00	KNOB, SHIFT	1				
11	JN3-G6376-00	SPRING SET	1				
12	90201-198S7	WASHER, PLATE	1				
13	99009-19400	CIRCLIP	1				
14	98502-04016	SCREW, PAN HEAD	2				
15	92902-04100	WASHER, SPRING	2				
16	92902-04600	WASHER, PLATE	2				
17	J0B-G6372-10	BRACKET, SHIFT WIRE	1				
18	90105-06831	BOLT, FLANGE	3				
19	JN3-82617-01	SWITCH	1				
20	90465-06038	CLAMP	1				
21	90464-40825	CLAMP	1				



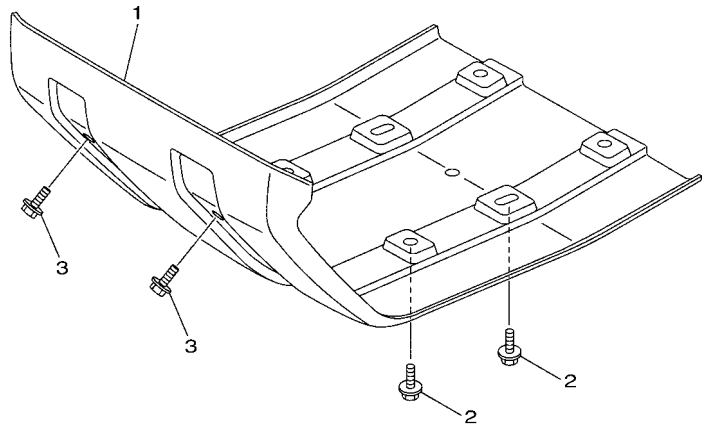
J0F1110-U230

FIG. 24 WHEEL

REF. NO.	PART NO.	DESCRIPTION	J0G2	REMARKS
1	90179-12262	NUT	8	
2	J0G-F5100-00	WHEEL ASSY	2	STD
3	J0G-F510S-00	.TIRE	1	
4	J0G-F5180-00	.WHEEL COMP.	1	
5	93900-00801	.VALVE, RIM	1	
6	90179-12262	NUT	8	
7	J0G-F5300-00	REAR WHEEL ASSY	2	STD
8	J0G-F510S-10	.TIRE	1	
9	J0G-F5180-00	.WHEEL COMP.	1	
10	93900-00801	.VALVE, RIM	1	
11	J0M-F5100-00	WHEEL ASSY	4	AP
12	J0M-F510S-00	.TIRE	1	
13	J0M-F5180-00	.WHEEL COMP.	1	
14	93900-00801	.VALVE, RIM	1	
15	J0G-F5100-B0	WHEEL ASSY	2	AP
16	J0G-F510S-B0	.TIRE (20X10-10 6PR TL, K389)	1	
17	J0G-F5180-00	.WHEEL COMP.	1	
18	93900-00801	.VALVE, RIM	1	
19	J0G-F5300-A0	REAR WHEEL ASSY	2	AP
20	J0G-F510S-C0	.TIRE	1	
21	J0G-F5180-00	.WHEEL COMP.	1	
22	93900-00801	.VALVE, RIM	1	

FIG. 25 BUMPER

REF. NO.	PART NO.	DESCRIPTION	JOG2				REMARKS
1	J0G-K8216-00	COVER, BUMPER GAP	1				
2	95822-06012	BOLT, FLANGE	4				
3	95822-06012	BOLT, FLANGE	2				



J0F1110-U240



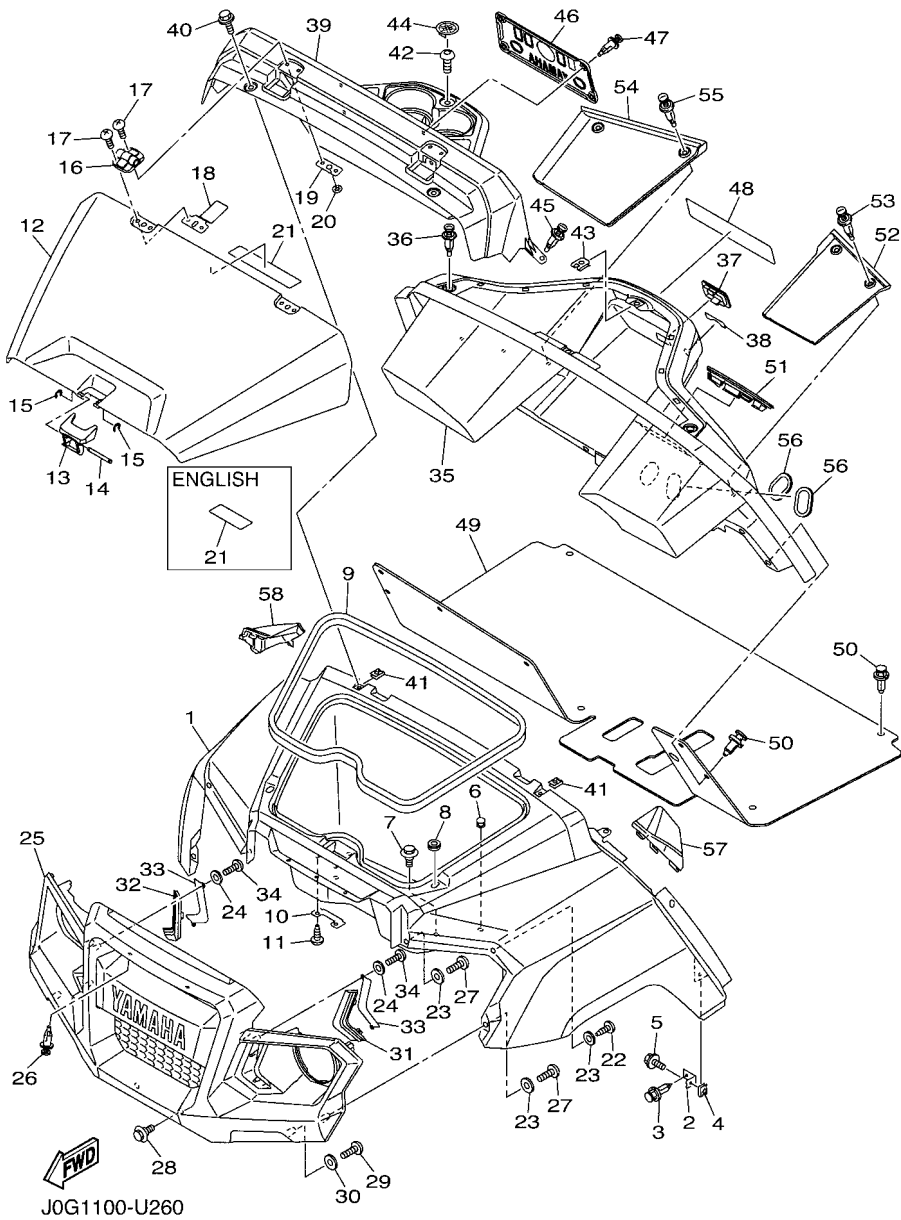


FIG. 26 BODY

REF. NO.	PART NO.	DESCRIPTION	J0G2	REMARKS
1	J0G-K8115-00	COWL, FRONT	1	UR WS7
	J0G-K8115-10	COWL, FRONT	1	UR VPBM6
	J0G-K8115-20	COWL, FRONT	1	UR DNMC
	J0G-K8115-30	COWL, FRONT	1	UR DRMV FOR CAN
	J0G-K8115-40	COWL, FRONT	1	UR DNLGM3
	J0G-K8115-50	COWL, FRONT	1	UR DOMD FOR CAN
2	J0G-F464R-00	PLATE, HOLDER	2	
3	90269-06804	RIVET	2	
4	90183-060A6	NUT, SPRING	2	
5	90119-06147	BOLT, WITH WASHER	2	
6	90338-12800	PLUG	2	
7	90109-06330	BOLT	2	
8	90480-01558	GROMMET	2	
9	J0G-K815G-00	SEAL, FRONT STORAGE	1	
10	J0G-K7175-01	HOLDER, LATCH	1	
11	97702-50014	SCREW, TAPPING	2	
12	J0G-K819E-00	SHELL,FR. STORAGE LID	1	UR WS7
	J0G-K819E-10	SHELL,FR. STORAGE LID	1	UR VPBM6
	J0G-K819E-20	SHELL,FR. STORAGE LID	1	UR DNMC
	J0G-K819E-30	SHELL,FR. STORAGE LID	1	UR DRMV FOR CAN
	J0G-K819E-40	SHELL,FR. STORAGE LID	1	UR DNLGM3
	J0G-K819E-50	SHELL,FR. STORAGE LID	1	UR DOMD FOR CAN
13	F3Y-U2875-00	LOCK	1	
14	90249-05802	PIN	1	
15	99002-03600	CIRCLIP	2	
16	J0G-K8153-00	HINGE, FRONT LID	2	
17	98902-05014	SCREW, BIND	8	

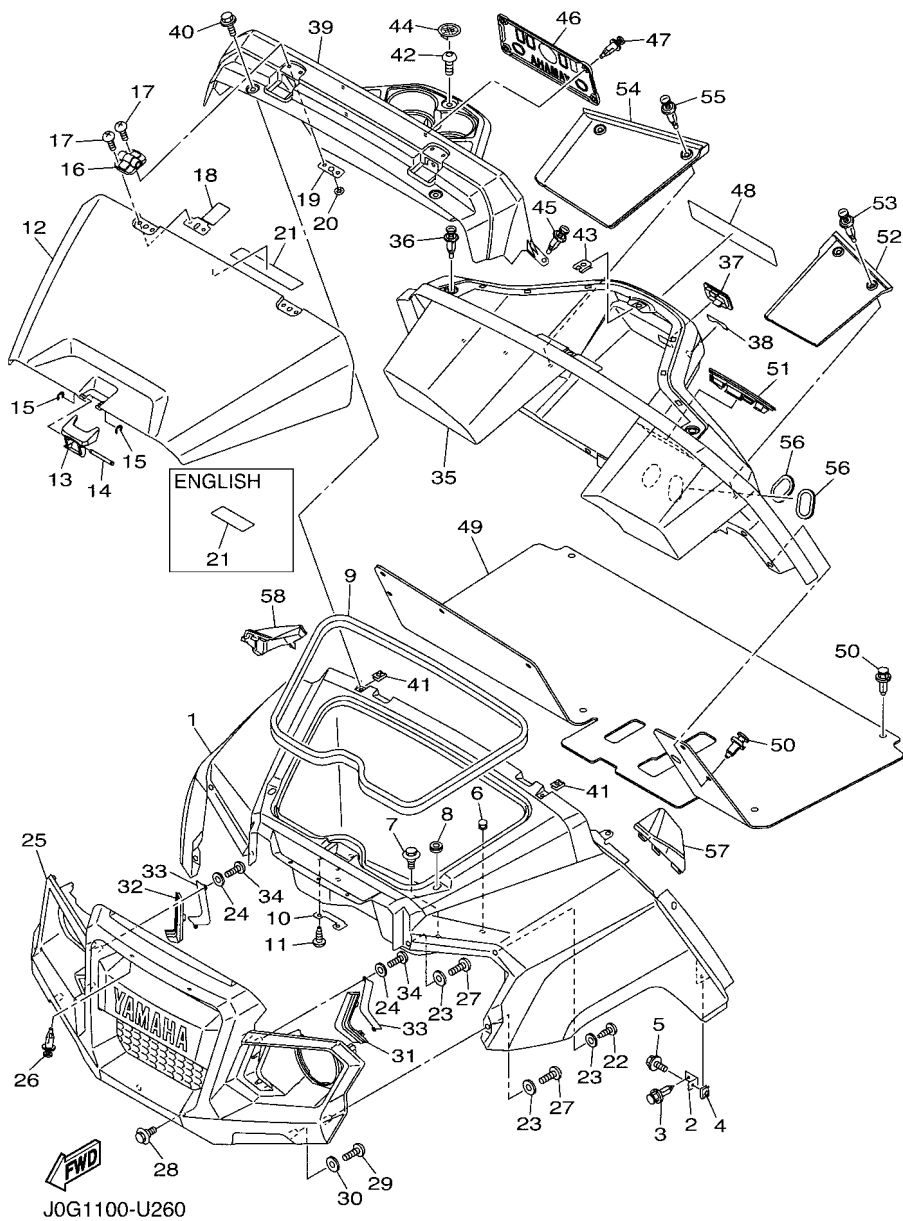
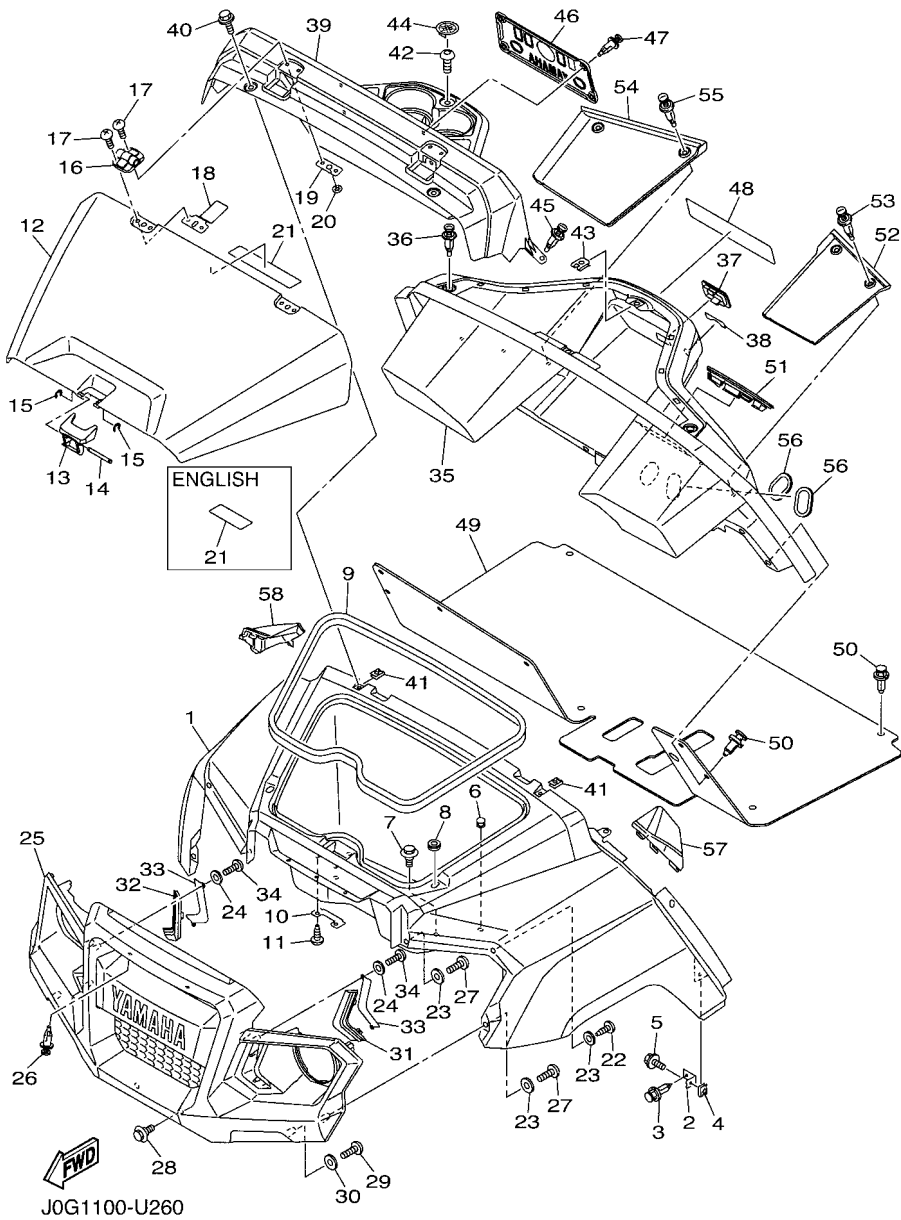


FIG. 26 BODY

REF. NO.	PART NO.	DESCRIPTION	J0G2			REMARKS
18	J0G-K8562-00	PLATE, HINGE 1	2			
19	J0G-K8563-00	PLATE, HINGE 2	2			
20	JU0-K7573-00	NUT, SPECIAL	2			
21	J0G-F151F-00	LABEL 3	1			UR ENGLISH
	J0G-F151F-10	LABEL 3	1			UR ENGLISH/FRENCH
	J0G-F151F-20	LABEL 3	1			UR GERMAN/SPANISH
22	90164-05800	SCREW, TAPPING	2			
23	90201-05800	WASHER, PLATE	6			
24	92907-05200	WASHER	4			
25	J0G-K8217-00	GRILLE, FRONT	1			
26	90269-07805	RIVET	2			
27	J0G-K7387-00	SCREW	4			
28	90109-06330	BOLT	2			
29	J0G-K7387-00	SCREW	2			
30	92907-05200	WASHER	2			
31	J0G-H4385-01	CAP,1	1			
32	J0G-H4386-01	CAP,2	1			
33	J0G-H1362-00	COVER, HOLE	2			
34	J0G-K7387-00	SCREW	4			
35	J0G-K8114-00	PANEL, FRONT	1			
36	90269-08001	RIVET	3			
37	JW1-F312G-00	PLUG, HOLE	1			
38	J0B-K8282-00	PLATE, SWITCH PANEL	1			
39	J0G-K835E-00	HOLDER, BEVERAGE	1			
40	90119-06147	BOLT, WITH WASHER	2			
41	90183-060A6	NUT, SPRING	2			
42	90111-05805	BOLT,HEX. SOCKET BUTTON	1			



**FIG. 26 BODY**

REF. NO.	PART NO.	DESCRIPTION	J0G2		REMARKS
43	90183-05008	NUT, SPRING	1		
44	J0B-H2370-00	PLUG CAP ASSY	1		
45	90269-07805	RIVET	2		
46	J0G-K7736-10	LID, GLOVE BOX	1		
47	90269-07805	RIVET	4		
48	J0G-K7768-30	LABEL, WARNING 8	1		UR ENGLISH
	J0G-K7768-40	LABEL, WARNING 8	1		UR ENGLISH/FRENCH
	J0G-K7768-50	LABEL, WARNING 8	1		UR GERMAN
	J0G-K7768-60	LABEL, WARNING 8	1		UR SPANISH
49	J0D-K8233-00	MAT, MAIN FLOOR 3	1		
50	90269-09003	RIVET	12		
51	J0B-K8273-10	COVER, HOLE	1		
52	J0B-K8243-00	MAT, REAR BODY SIDE (LH)	1		
53	90269-07805	RIVET	2		
54	J0B-K8244-00	MAT, REAR BODY SIDE (RH)	1		
55	90269-07805	RIVET	2		
56	J0G-K814A-00	SEAL, BODY UPPER	2		
57	J0G-K832H-01	GROMMET, ROOF SUPPORT 3	1		
58	J0G-K833H-01	GROMMET, ROOF SUPPORT 4	1		

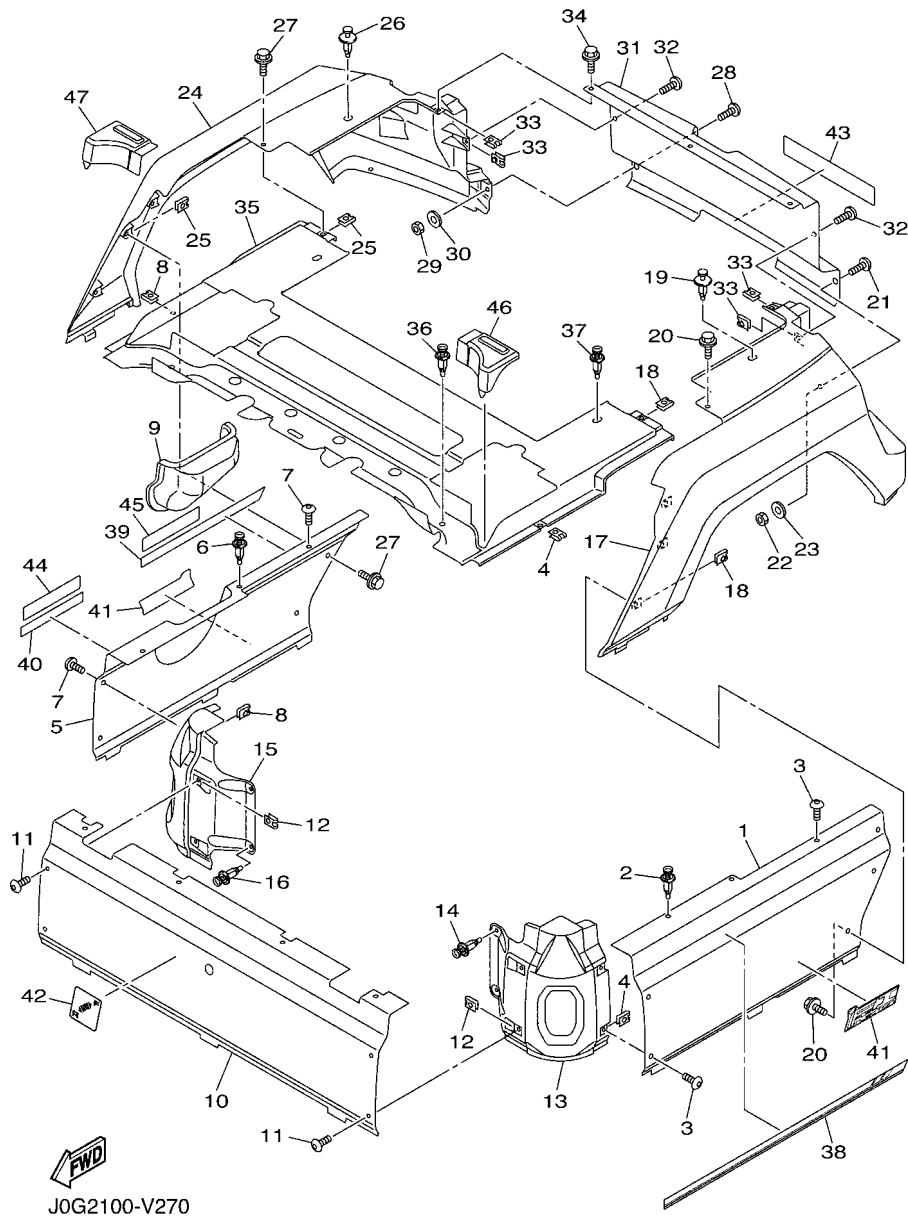
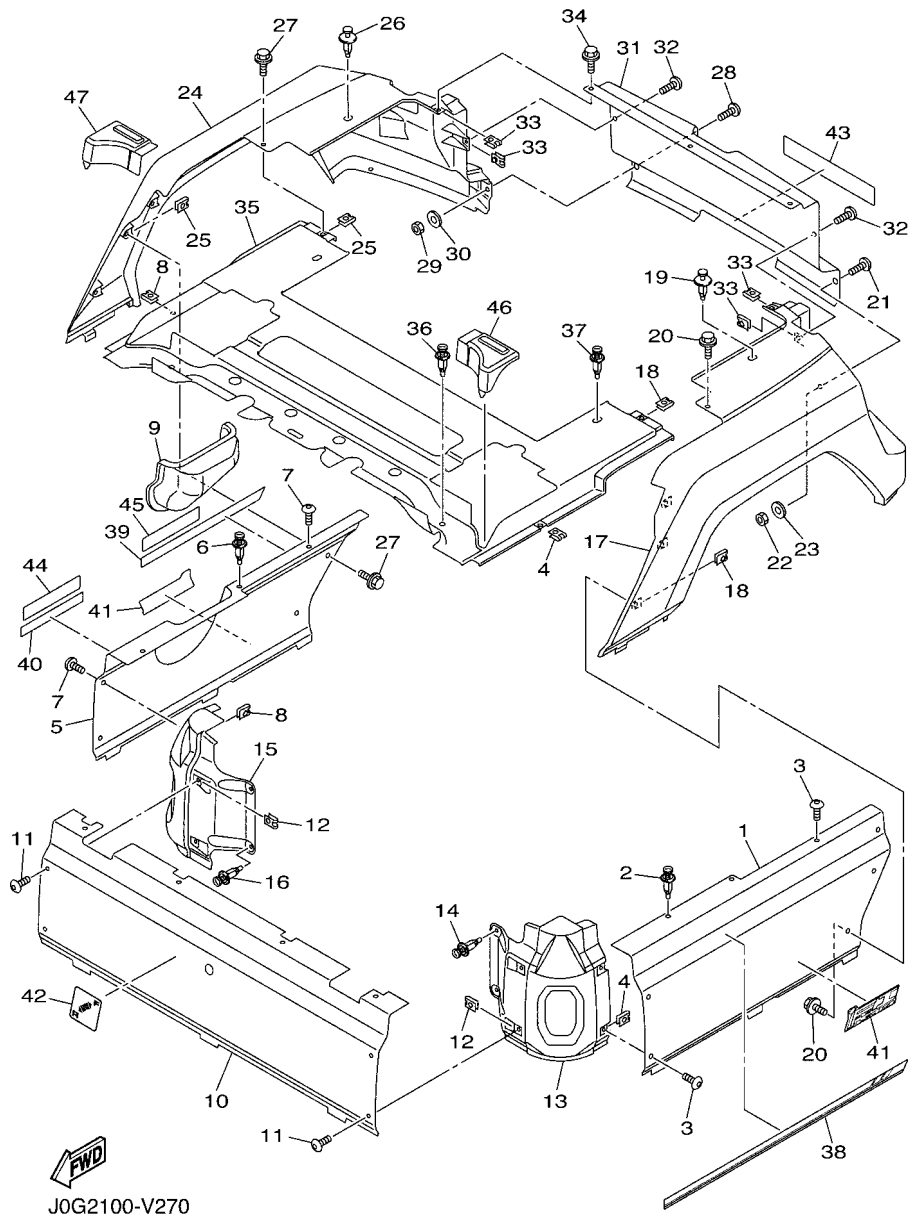


FIG. 27 BODY 2

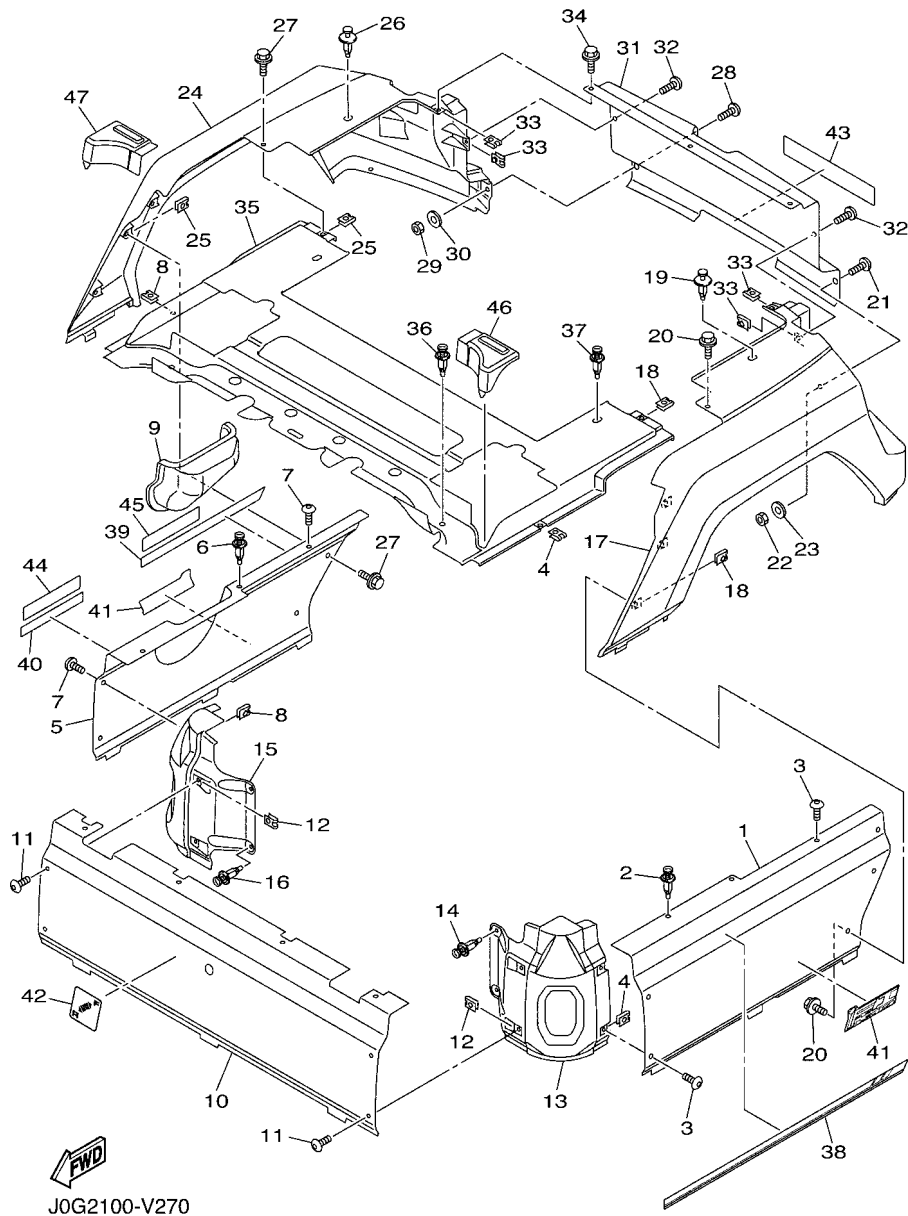
REF. NO.	PART NO.	DESCRIPTION	JOG2	REMARKS
1	J0G-K8111-00	PANEL, BODY SHELL	1	
2	90269-07805	RIVET	2	
3	90111-06116	BOLT,HEX. SOCKET BUTTON	3	
4	90183-060A6	NUT, SPRING	3	
5	J0G-K8112-00	PANEL, BODY SHELL	1	
6	90269-07805	RIVET	2	
7	90111-06116	BOLT,HEX. SOCKET BUTTON	3	
8	90183-060A6	NUT, SPRING	3	
9	J0G-K7213-00	TRIM, UPPER	1	
10	J0G-K8141-00	PANEL, INTERMEDIATE BODY	1	
11	90111-06116	BOLT,HEX. SOCKET BUTTON	4	
12	90183-060A6	NUT, SPRING	4	
13	J0G-K811V-00	PROTECTOR 1	1	
14	90269-07805	RIVET	2	
15	J0G-K811W-00	PROTECTOR 2	1	
16	90269-07805	RIVET	2	
17	J0G-K819F-00	SHELL, SIDE PANEL 1	1	
18	90183-060A6	NUT, SPRING	4	
19	JW6-K7449-00	RIVET 1	1	
20	90119-06147	BOLT, WITH WASHER	4	
21	90111-06116	BOLT,HEX. SOCKET BUTTON	1	
22	95612-06100	NUT, U	1	
23	90201-06078	WASHER, PLATE	1	
24	J0G-K819G-00	SHELL, SIDE PANEL 2	1	
25	90183-060A6	NUT, SPRING	4	
26	JW6-K7449-00	RIVET 1	1	
27	90119-06147	BOLT, WITH WASHER	4	



J0G2100-V270

FIG. 27 BODY 2

REF. NO.	PART NO.	DESCRIPTION	J0G2	REMARKS
28	90111-06116	BOLT,HEX. SOCKET BUTTON	1	
29	95612-06100	NUT, U	1	
30	90201-06078	WASHER, PLATE	1	
31	J0G-K8237-00	COVER, REAR FLOOR	1	
32	90111-06116	BOLT,HEX. SOCKET BUTTON	2	
33	90183-060A6	NUT, SPRING	4	
34	90119-06147	BOLT, WITH WASHER	3	
35	J0G-K819H-00	SHELL, REAR BODY	1	
36	90269-07805	RIVET	2	
37	JW6-K7449-00	RIVET 1	2	
38	J0G-K711C-00	GRAPHIC 3	1	UR FOR WS7
	J0G-K711C-10	GRAPHIC 3	1	UR FOR VPBM6
	J0G-K711C-20	GRAPHIC 3	1	UR FOR DNMC
	J0G-K711C-30	GRAPHIC 3	1	UR FOR DRMV
	J0G-K711C-40	GRAPHIC 3	1	UR FOR DNLGM3
	J0G-K711C-50	GRAPHIC 3	1	UR FOR DOMD
39	J0G-K711D-00	GRAPHIC 4	1	UR FOR WS7
	J0G-K711D-10	GRAPHIC 4	1	UR FOR VPBM6
	J0G-K711D-20	GRAPHIC 4	1	UR FOR DNMC
	J0G-K711D-30	GRAPHIC 4	1	UR FOR DRMV
	J0G-K711D-40	GRAPHIC 4	1	UR FOR DNLGM3
	J0G-K711D-50	GRAPHIC 4	1	UR FOR DOMD
40	J0G-K711E-00	GRAPHIC 5	1	UR FOR WS7
	J0G-K711E-10	GRAPHIC 5	1	UR FOR VPBM6
	J0G-K711E-20	GRAPHIC 5	1	UR FOR DNMC
	J0G-K711E-30	GRAPHIC 5	1	UR FOR DRMV
	J0G-K711E-40	GRAPHIC 5	1	UR FOR DNLGM3



**FIG. 27 BODY 2**

REF. NO.	PART NO.	DESCRIPTION	J0G2	REMARKS
40	J0G-K711E-50	GRAPHIC 5	1	UR FOR DOMD
41	JC2-F1781-00	EMBLEM 1	2	
42	JW1-K7741-00	INDICATOR 1	1	
43	J0G-F1696-00	LABEL, CAUTION	1	UR ENGLISH
	J0G-F1696-10	LABEL, CAUTION	1	UR ENGLISH/FRENCH
	J0G-F1696-20	LABEL, CAUTION	1	UR GERMAN/SPANISH
44	J0G-K8297-00	PLATE, CAUTION 1	1	UR ENGLISH
	J0G-K8297-10	PLATE, CAUTION 1	1	UR FRENCH EX. CAN
	J0G-K8297-20	PLATE, CAUTION 1	1	UR GERMAN
	J0G-K8297-30	PLATE, CAUTION 1	1	UR SPANISH
45	J0G-K8297-10	PLATE, CAUTION 1	1	FRENCH FOR CAN
46	J0G-K817K-00	TRIM, SIDE PANEL 3	1	
47	J0G-K817L-00	TRIM, SIDE PANEL 4	1	

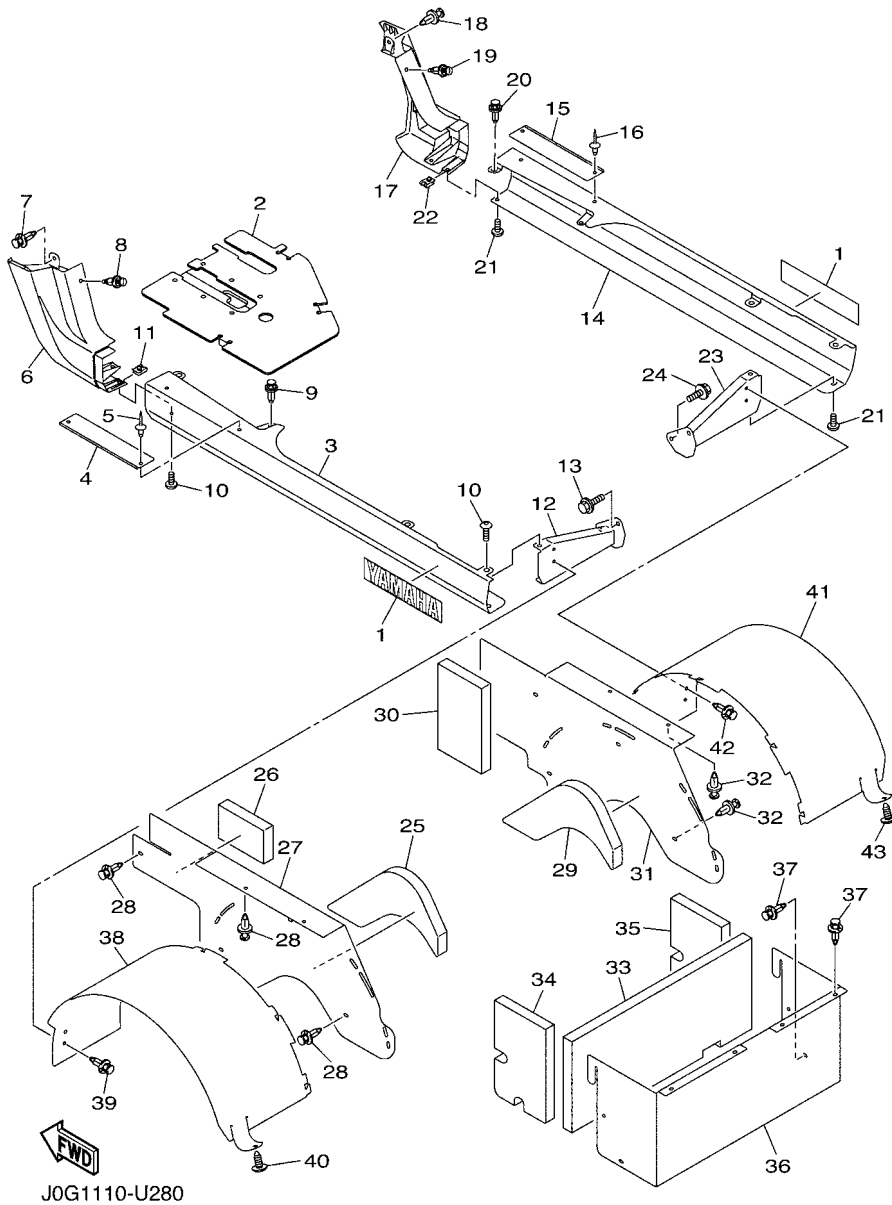
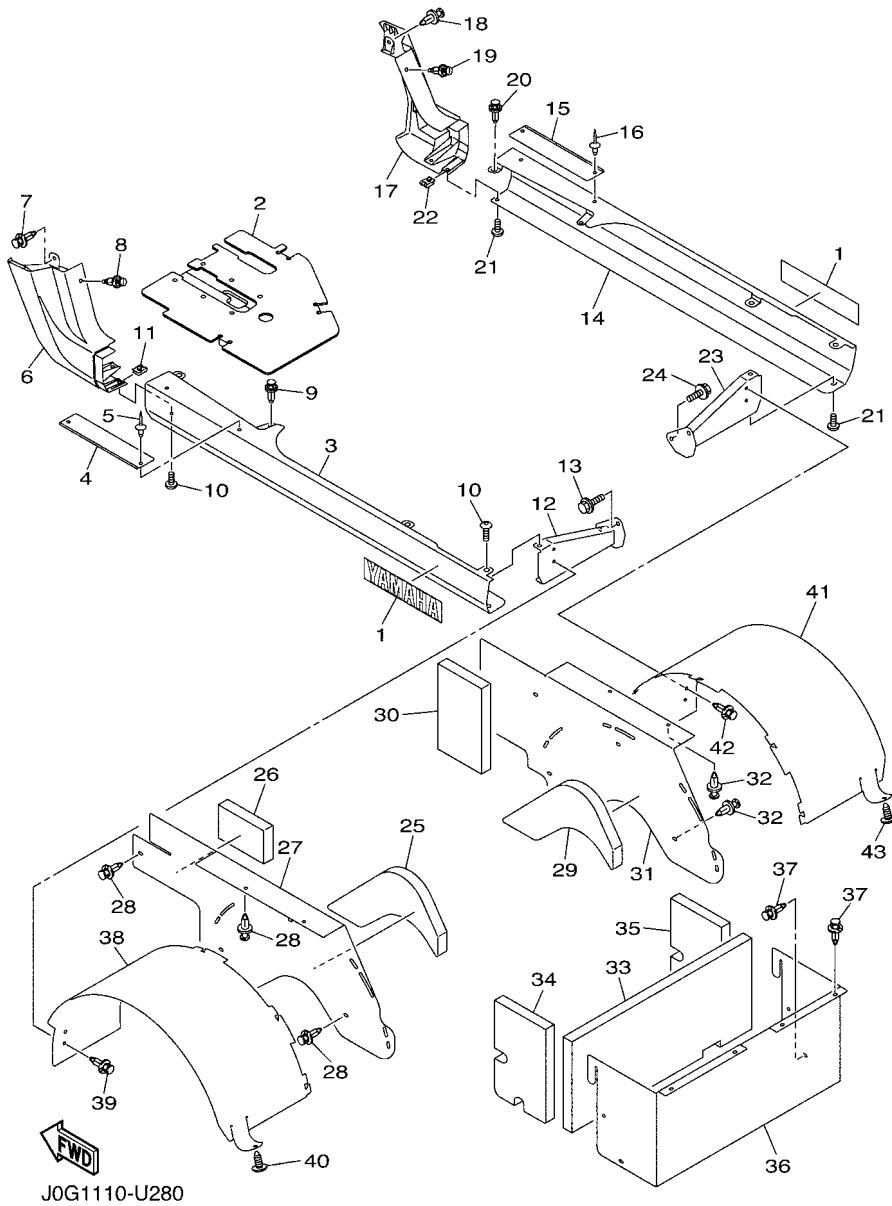


FIG. 28 BODY FITTING

REF. NO.	PART NO.	DESCRIPTION	J0G2				REMARKS
1	J0G-U411C-00	EMBLEM, YAMAHA	2				
2	J0G-K8270-00	LID ASSY	1				
3	J0G-K818A-01	PROTECTOR, SIDE PLATE	1				
4	J0G-K8215-00	PLATE, SIDE TRIM	1				
5	90267-489U9	RIVET, BLIND	2				
6	J0G-K819L-00	PANEL, FRONT FENDER 1	1				
7	90269-06804	RIVET	1				
8	90269-07805	RIVET	1				
9	90269-09003	RIVET	3				
10	90111-06116	BOLT,HEX. SOCKET BUTTON	3				
11	90183-060A6	NUT, SPRING	1				
12	J0G-K818E-00	CAP, PROTECTOR END 1	1				
13	90105-08867	BOLT, FLANGE	2				
14	J0G-K818B-01	PROTECTOR, SIDE PLATE 2	1				
15	J0G-K8215-00	PLATE, SIDE TRIM	1				
16	90267-489U9	RIVET, BLIND	2				
17	J0G-K819M-00	PANEL, FRONT FENDER 2	1				
18	90269-06804	RIVET	1				
19	90269-07805	RIVET	1				
20	90269-09003	RIVET	3				
21	90111-06116	BOLT,HEX. SOCKET BUTTON	3				
22	90183-060A6	NUT, SPRING	1				
23	J0G-K818F-00	CAP, PROTECTOR END 2	1				
24	90105-08867	BOLT, FLANGE	2				
25	J0G-K8251-00	PAD, SILENCER 1	1				
26	J0G-K8254-00	PAD, SILENCER 4	1				
27	J0G-K817P-10	PANEL, RR. BODY 1	1				



**FIG. 28 BODY FITTING**

REF. NO.	PART NO.	DESCRIPTION	J0G2				REMARKS
28	90269-06804	RIVET	8				
29	J0G-K8255-00	PAD, SILENCER 5	1				
30	J0G-K8258-00	PAD, SILENCER 8	1				
31	J0G-K817R-00	PANEL, RR. BODY 2	1				
32	90269-06804	RIVET	7				
33	J0G-K825H-00	PAD, SILENCER 14	1				
34	J0G-K825J-00	PAD, SILENCER 15	1				
35	J0G-K825K-00	PAD, SILENCER 16	1				
36	J0G-K817S-00	PANEL, RR. BODY 3	1				
37	90269-06804	RIVET	8				
38	J0G-K8193-10	PANEL, REAR FENDER 3	1				
39	90269-06804	RIVET	2				
40	90269-07809	RIVET	1				
41	J0G-K8193-10	PANEL, REAR FENDER 3	1				
42	90269-06804	RIVET	2				
43	90269-07809	RIVET	1				



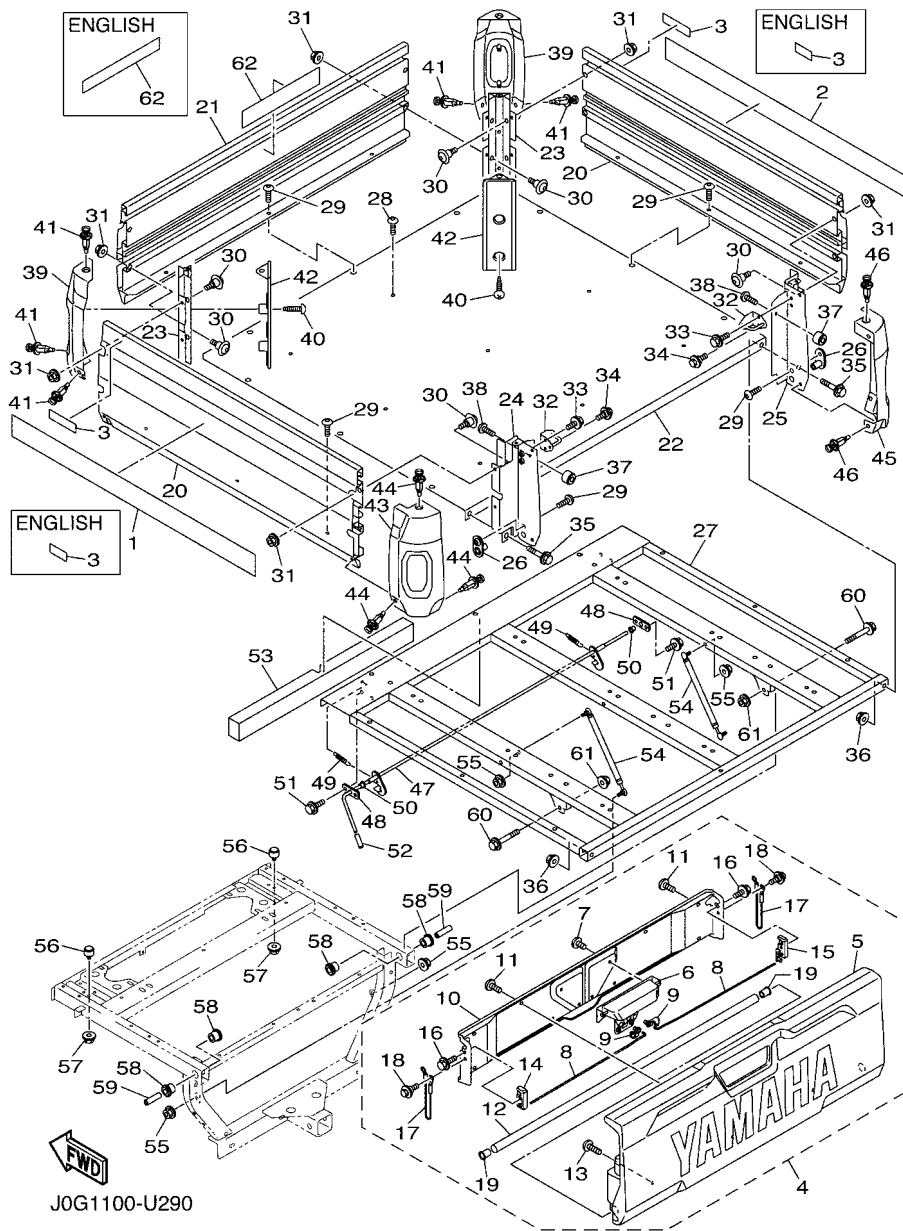


FIG. 29 CARRIER

REF. NO.	PART NO.	DESCRIPTION	JOG2	REMARKS
1	J0G-K711A-00	GRAPHIC 1	1	UR WS7 CAN
	J0G-K7254-00	GRAPHIC 1	1	UR WS7 EX. CAN
	J0G-K711A-10	GRAPHIC 1	1	UR VPBM6 CAN
	J0G-K7254-10	GRAPHIC 1	1	UR VPBM6 EX. CAN
	J0G-K711A-20	GRAPHIC 1	1	UR DNMC CAN
	J0G-K7254-20	GRAPHIC 1	1	UR DNMC EX. CAN
	J0G-K711A-30	GRAPHIC 1	1	UR DRMV CAN
	J0G-K711A-40	GRAPHIC 1	1	UR DNLMG3 CAN
	J0G-K7254-40	GRAPHIC 1	1	UR DNLMG3 EX. CAN
	J0G-K711A-50	GRAPHIC 1	1	UR DOMD CAN
2	J0G-K711B-00	GRAPHIC 2	1	UR WS7 CAN
	J0G-K7255-00	GRAPHIC 2	1	UR WS7 EX. CAN
	J0G-K711B-10	GRAPHIC 2	1	UR VPBM6 CAN
	J0G-K7255-10	GRAPHIC 2	1	UR VPBM6 EX. CAN
	J0G-K711B-20	GRAPHIC 2	1	UR DNMC CAN
	J0G-K7255-20	GRAPHIC 2	1	UR DNMC EX. CAN
	J0G-K711B-30	GRAPHIC 2	1	UR DRMV CAN
	J0G-K711B-40	GRAPHIC 2	1	UR DNLMG3 CAN
	J0G-K7255-40	GRAPHIC 2	1	UR DNLMG3 EX. CAN
	J0G-K711B-50	GRAPHIC 2	1	UR DOMD CAN
3	J0G-K7764-00	LABEL, WARNING 4	2	UR ENGLISH
	J0G-K7764-10	LABEL, WARNING 4	2	UR ENGLISH/FRENCH
	J0G-K7764-20	LABEL, WARNING 4	2	UR GERMAN/SPANISH
4	J0G-K810N-00	REAR STORAGE LID COMP.	1	
5	J0G-K8365-01	.CASE	1	
6	BG4-F389F-01	.HANDLE, LATCH	1	
7	90111-06838	.BOLT,HEX. SOCKET BUTTON	4	

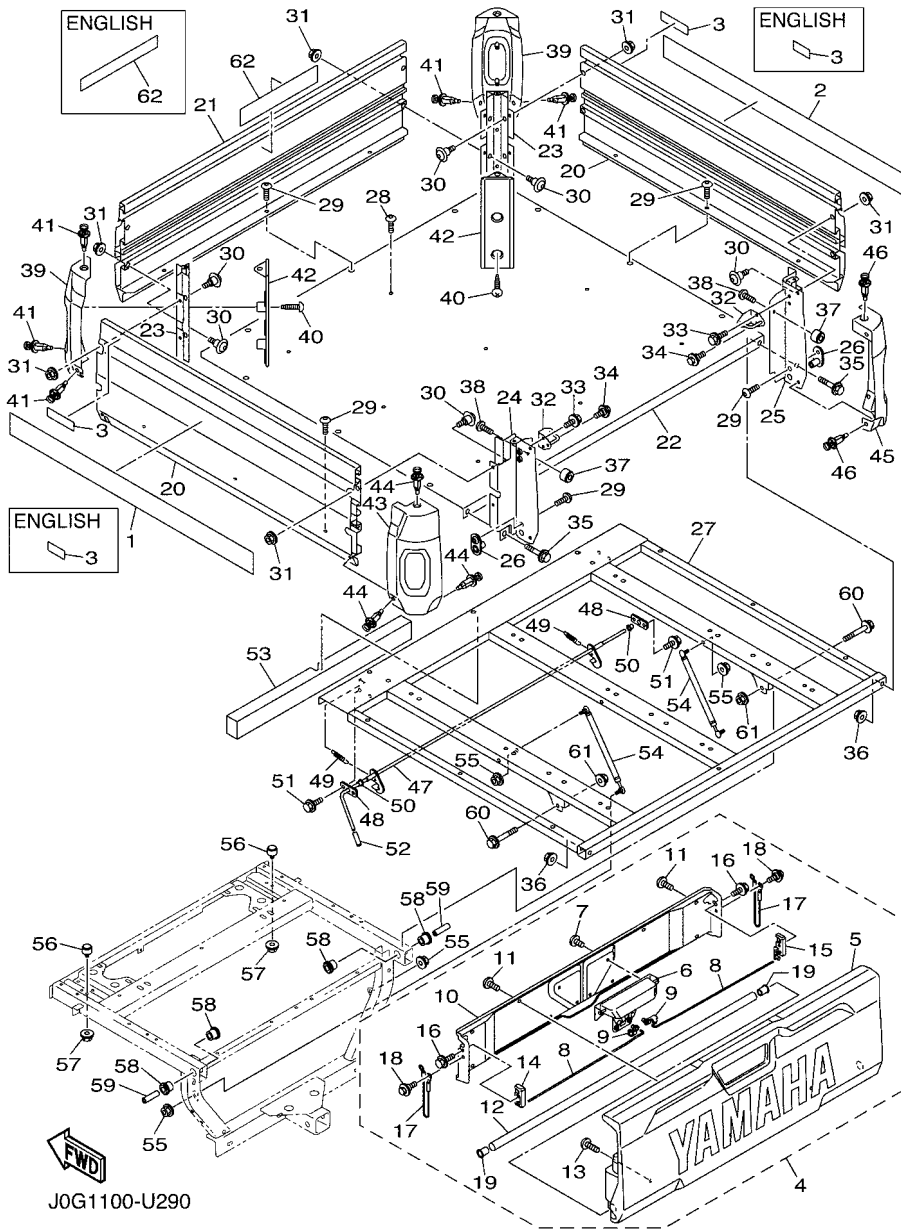


FIG. 29 CARRIER

REF. NO.	PART NO.	DESCRIPTION	J0G2			REMARKS
8	J0G-F8478-00	.ROD	2			
9	BG4-F2805-00	.CLIP, CABLE	2			
10	J0G-F331G-00	.COVER	1			
11	90111-06173	.BOLT,HEX. SOCKET BUTTON	8			
12	J0G-F463F-00	.HINGE 2	1			
13	90149-06846	.SCREW	3			
14	BG4-F16A0-00	.LOCK ASSY	1			
15	BG4-F16B0-00	.LOCK ASSY 2	1			
16	95812-06016	.BOLT, FLANGE	2			
17	J0G-K7195-00	.HOLDER, CABLE	2			
18	90109-06171	.BOLT	2			
19	J0G-K839J-00	.SLEEVE 1	2			
20	J0G-F846C-00	BOX, SIDE 1	2			
21	J0G-F845D-00	BOX, FRONT	1			
22	J0G-F845C-01	BOX, BASE	1			
23	J0G-K853J-00	REINF. ,1	2			
24	J0G-K853K-00	REINF. ,2	1			
25	J0G-K853L-00	REINF. ,3	1			
26	J0G-F114B-00	BRACKET, HINGE	2			
27	J0G-K818N-00	BED, BOX	1			
28	90111-06116	BOLT,HEX. SOCKET BUTTON	9			
29	92014-10020	BOLT, BUTTON HEAD	11			
30	J0G-F2125-00	BOLT	12			
31	95602-08200	NUT, U FLANGE	12			
32	J0G-K8579-00	STRIKER	2			
33	95812-06016	BOLT, FLANGE	2			
34	90109-06171	BOLT	2			

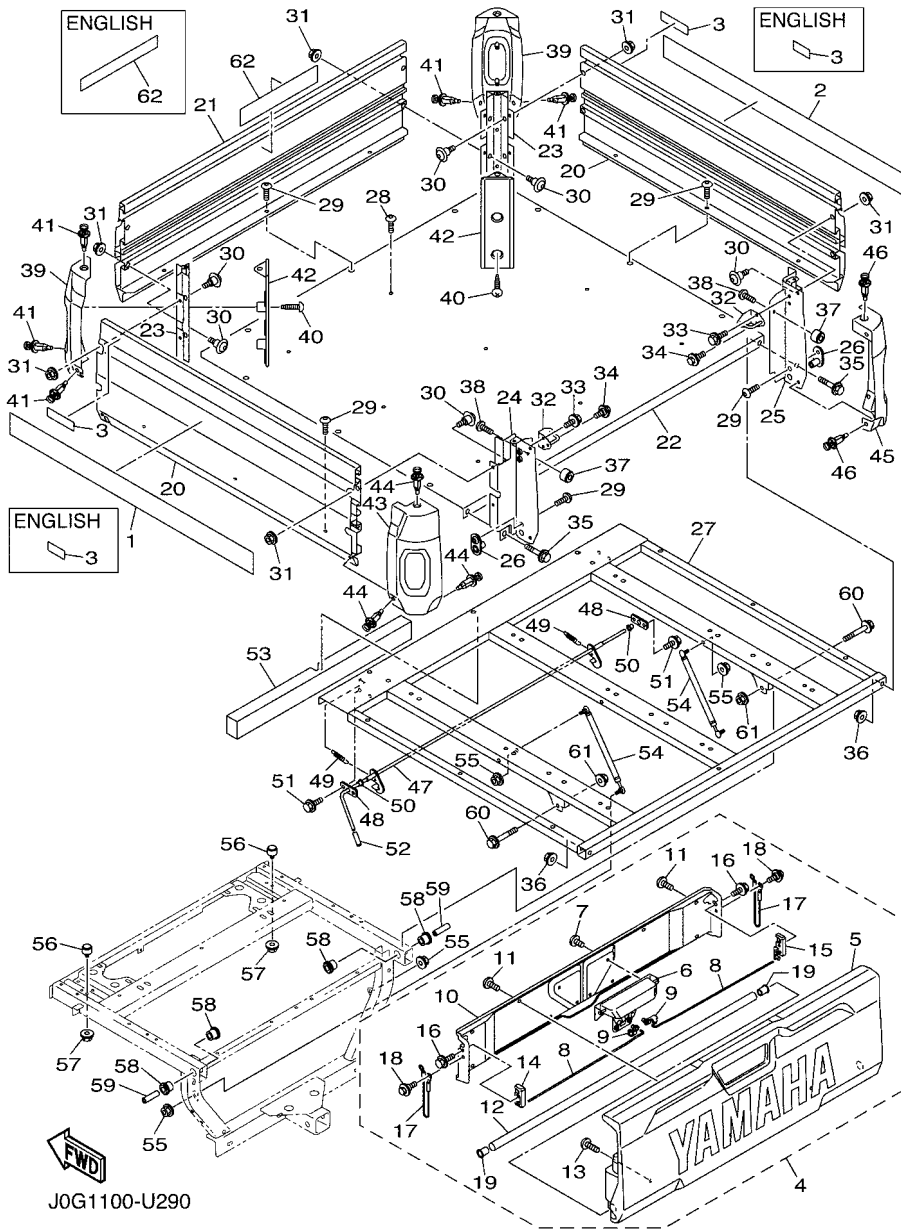


FIG. 29 CARRIER

REF. NO.	PART NO.	DESCRIPTION	JOG2			REMARKS
35	95802-10050	BOLT, FLANGE	2			
36	95602-10200	NUT, S/L FLANGE	2			
37	J0G-F4747-00	DAMPER, SEAT	2			
38	90111-06173	BOLT, HEX. SOCKET BUTTON	2			
39	J0G-K7392-00	COVER, LUGGAGE BOX	2			
40	97707-60130	SCREW, TAPPING	4			
41	90269-07805	RIVET	6			
42	J0G-K7377-00	COVER, LUGGAGE BOX 2	2			
43	J0G-F846T-00	COVER, SIDE BOX 1	1			
44	90269-07805	RIVET	4			
45	J0G-F846U-00	COVER, SIDE BOX 2	1			
46	90269-07805	RIVET	4			
47	J0G-K7180-01	LATCH ASSY	1			
48	J0G-K814M-00	PLATE, LEVER SUPPORT	2			
49	90506-16451	SPRING, TENSION	2			
50	2P5-K7515-00	BUSH, RUBBER 1	2			
51	95822-08016	BOLT, FLANGE	4			
52	JJ3-K818M-00	CAP, PROTECTOR END 4	1			
53	J0G-K7152-00	PAD 2	1			
54	5UG-F8415-00	DAMPER 1	2			
55	95602-08200	NUT, U FLANGE	4			
56	JU5-K8167-01	BUMPER, RUBBER 1	2			
57	95602-08200	NUT, U FLANGE	2			
58	JW6-F2123-00	BUSH 1	4			
59	JW6-F1633-00	COLLAR, 1	2			
60	95812-08070	BOLT, FLANGE	2			
61	95602-08200	NUT, U FLANGE	2			

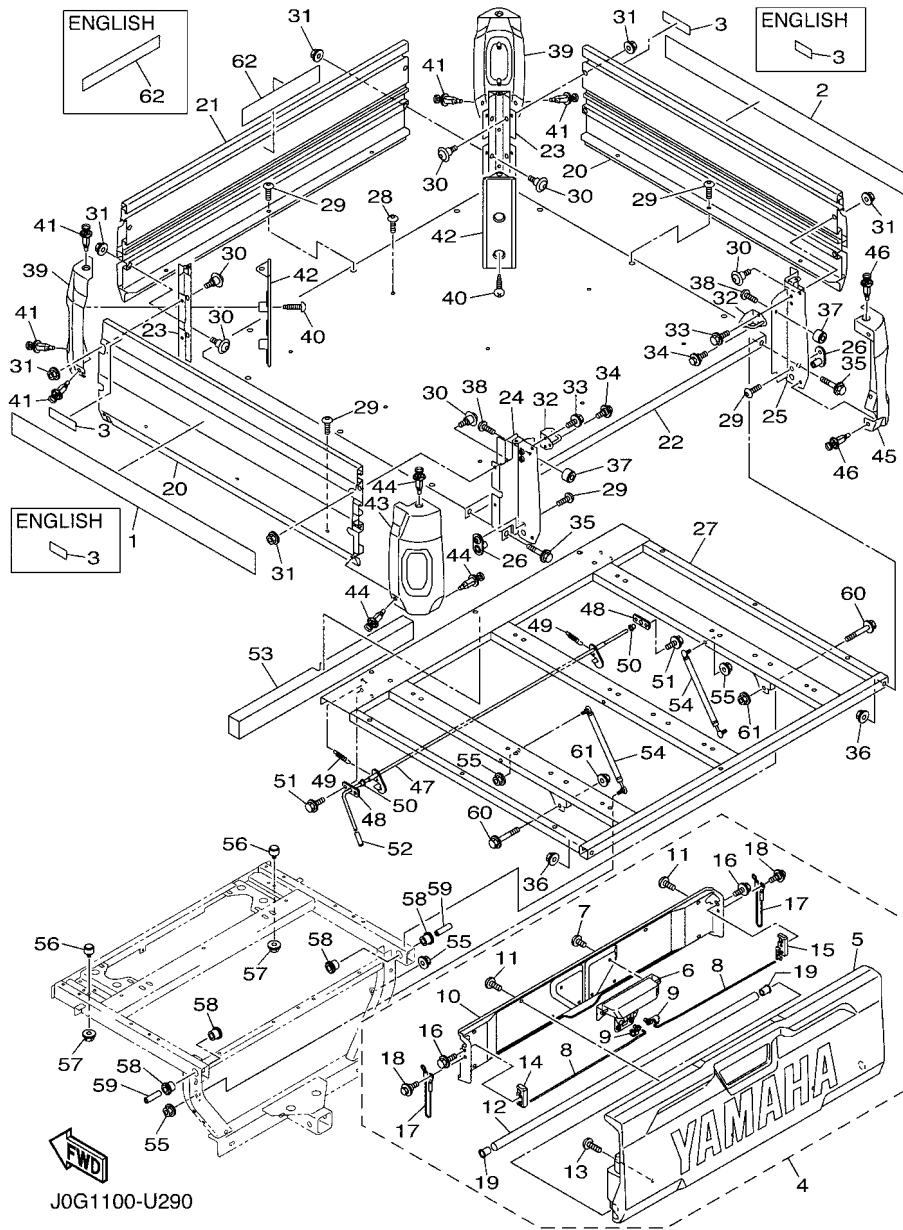
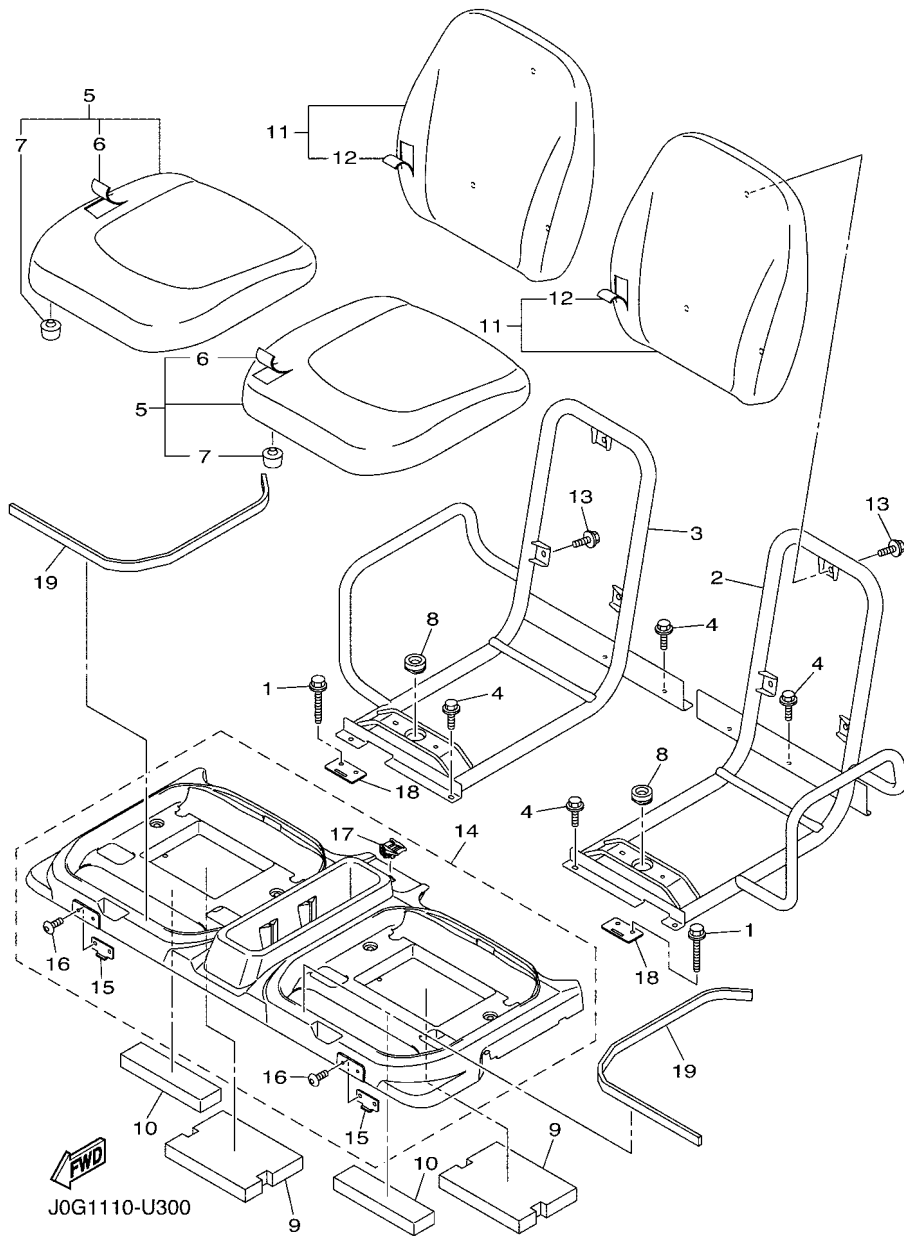


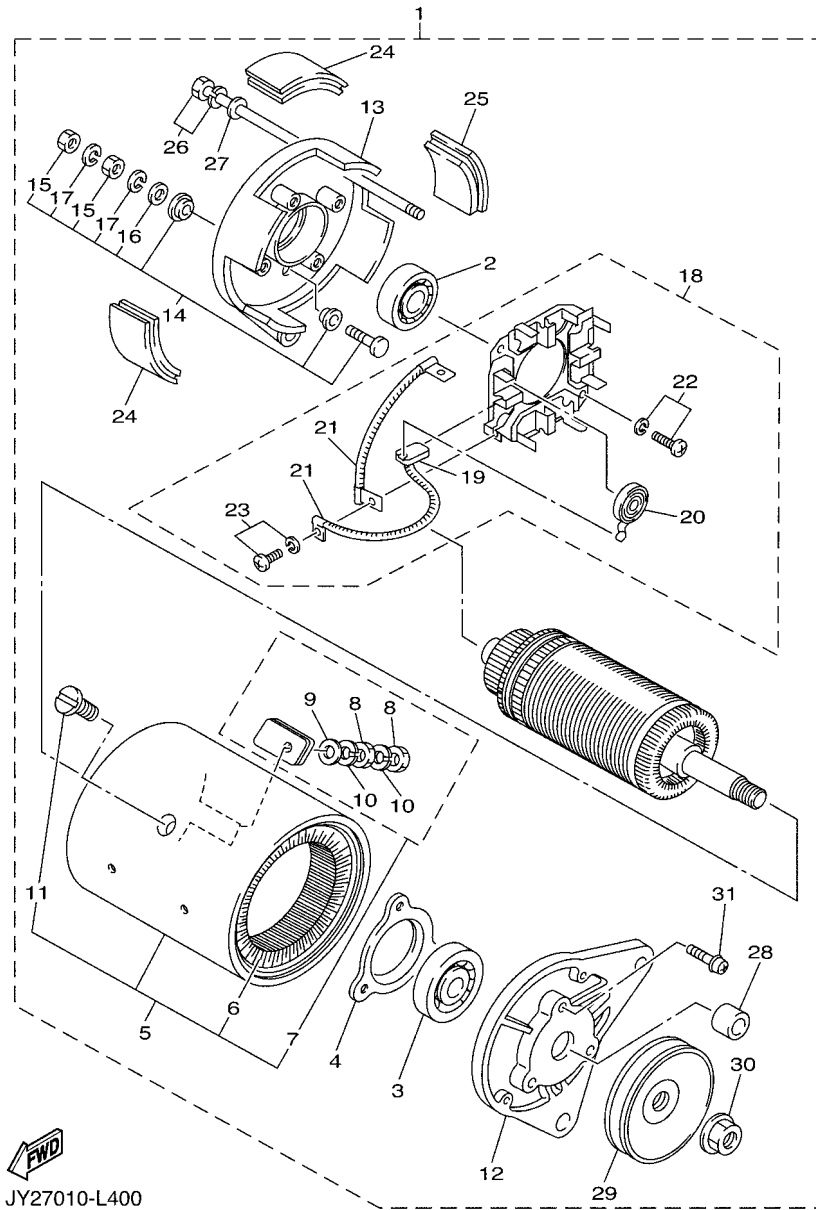
FIG. 29 CARRIER

REF. NO.	PART NO.	DESCRIPTION	JOG2		REMARKS
62	JOG-K7766-00	LABEL, WARNING 6	1		UR ENGLISH
	JOG-K7766-10	LABEL, WARNING 6	1		UR ENGLISH/FRENCH
	JOG-K7766-20	LABEL, WARNING 6	1		UR GERMAN/SPANISH



**FIG. 30 SEAT**

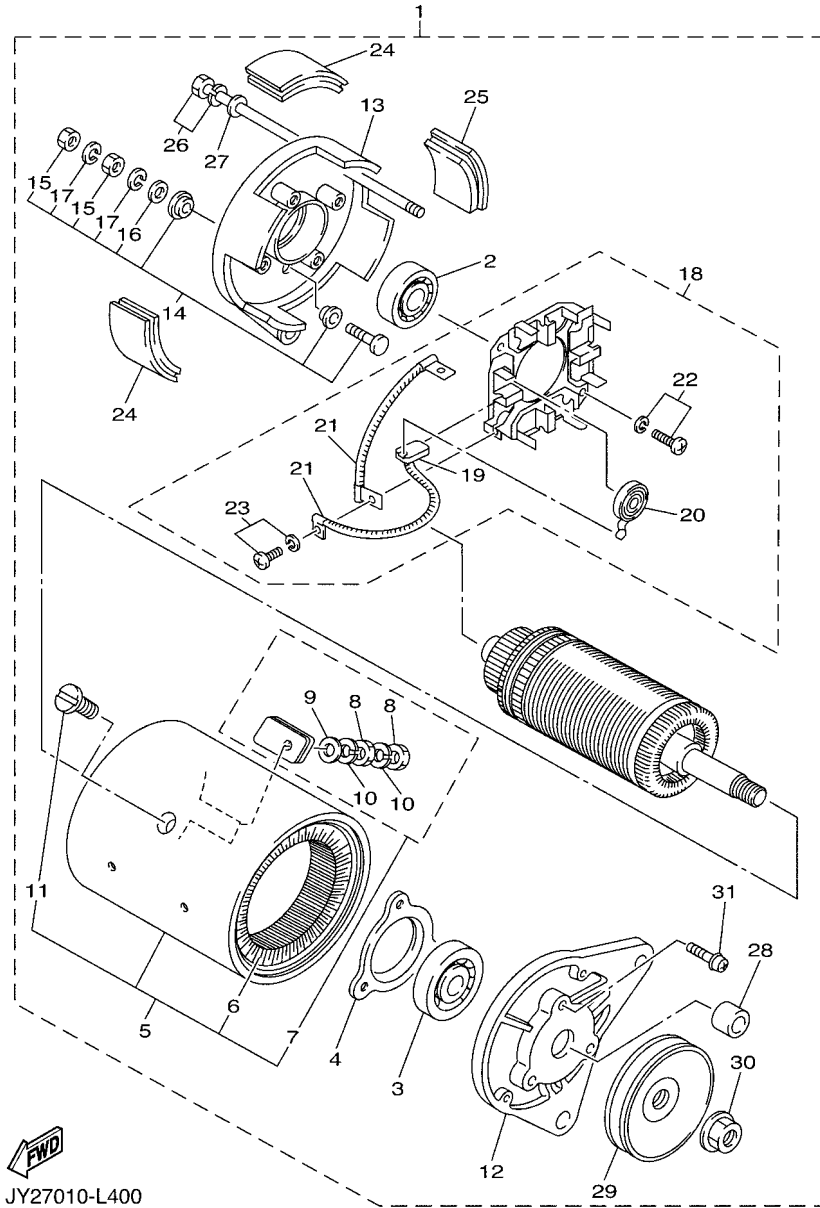
REF. NO.	PART NO.	DESCRIPTION	J0G2		REMARKS
1	JW9-H1674-00	BOLT	4		
2	J0G-F473C-01	FRAME, SEAT 1	1		
3	J0G-F473D-01	FRAME, SEAT 2	1		
4	90105-08879	BOLT, FLANGE	8		
5	J0G-F4700-00	SEAT ASSY	2		
6	J0G-F4731-00	.COVER, SEAT	1		
7	1XD-F4723-00	.DAMPER, SEAT	4		
8	1XD-F4742-00	GROMMET	2		
9	J0G-K825M-00	PAD, SILENCER 18	2		
10	J0G-K825N-00	PAD, SILENCER 19	2		
11	J0G-F4790-00	SEAT BACK ASSY	2		
12	J0G-F4711-00	.COVER, SINGLE SEAT	1		
13	95817-06016	BOLT, FLANGE	6		
14	J0G-K8401-00	SEAT SUB-ASSY,CUSHION	1		
15	J0G-K8426-00	.HINGE, SEAT 1	2		
16	90111-06116	.BOLT,HEX. SOCKET BUTTON	4		
17	1XD-2175K-10	.LEVER, LOCK	1		
18	JW1-K8427-00	HINGE, SEAT 2	2		
19	J0G-K7151-00	PAD 1	2		



JY27010-L400

FIG. 31 STARTING MOTOR

REF. NO.	PART NO.	DESCRIPTION	QTY	REMARKS
1	JN6-H1100-04	STARTER GENERATOR ASSY	1	
2	J10-H1157-10	.BEARING 1	1	
3	J10-H1158-10	.BEARING 2	1	
4	J10-81159-10	.HOLDER, BEARING	1	
5	JN6-H1110-10	.STATOR ASSY	1	
6	JN6-H1160-10	..FIELD COIL ASSY	1	
7	J10-81148-10	..SCREW SET 4	2	
8	9530N-06600	...NUT, HEX	2	
9	9290N-06600	...WASHER	1	
10	92907-06100	...WASHER, SPRING	2	
11	J10-81146-10	..SCREW 2	4	
12	JN6-H1165-00	.BRACKET, STARTER GENERATOR 1	1	
13	J10-H1166-10	.BRACKET, STARTER GENERATOR 2	1	
14	J10-81147-10	.SCREW SET 3	2	
15	9530N-06600	..NUT, HEX	2	
16	9290N-06600	..WASHER	1	
17	92907-06100	..WASHER, SPRING	2	
18	JN6-H1119-00	.BRUSH HOLDER ASSY	1	
19	JF2-H1111-00	..BRUSH	4	
20	JN6-H1113-00	..SPRING, BRUSH	4	
21	J10-81115-10	..WIRE, LEAD	2	
22	9850N-05016	..SCREW, PAN HEAD	2	
23	9850N-04010	..SCREW, PAN HEAD	4	
24	J10-81129-10	.COVER, BRUSH	3	
25	J10-81139-10	.COVER, BRUSH 2	1	
26	J10-H1145-10	..SCREW 1	2	
27	9290N-06600	..WASHER	2	

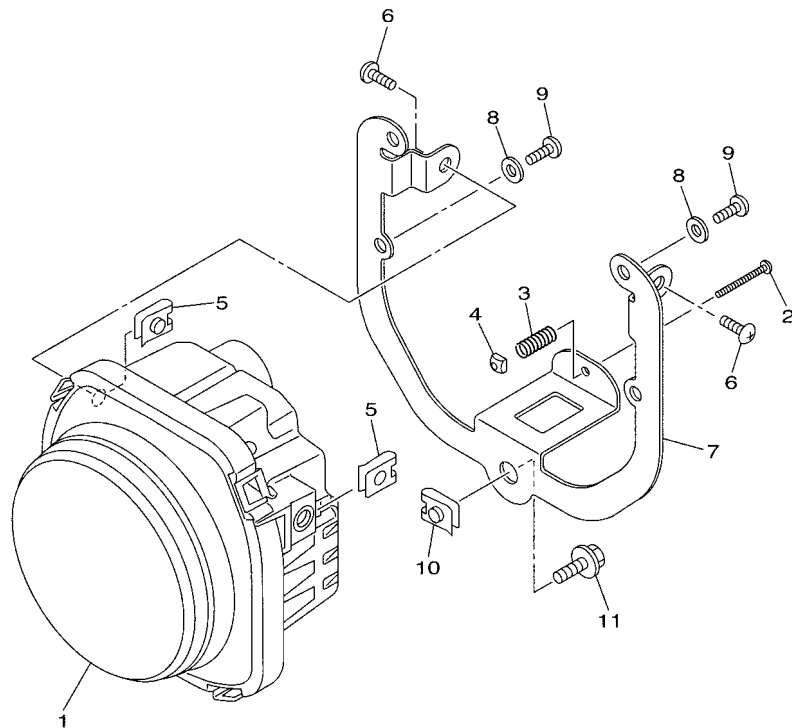


**FWD**  
JY27010-L400

**FIG. 31 STARTING MOTOR**

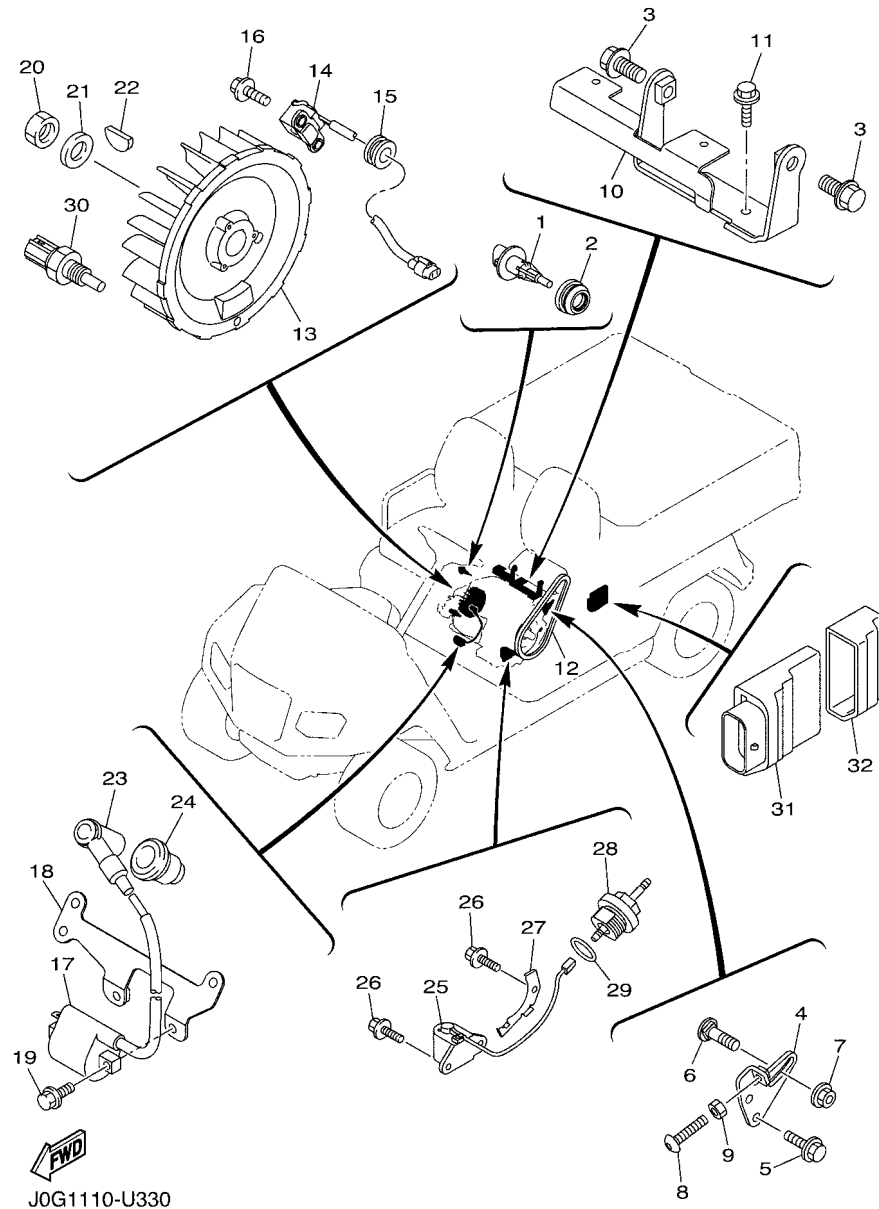
REF. NO.	PART NO.	DESCRIPTION	JOG2				REMARKS
28	JN3-H1661-00	.SPACER	1				
29	JN6-H1161-00	.PULLEY	1				
30	90179-16889	.NUT	1				
31	9850N-05018	.SCREW, PAN HEAD	3				
-----							
-----							
-----							
-----							
-----							
-----							
-----							
-----							
-----							
-----							
-----							

**FIG. 32 HEADLIGHT**



REF. NO.	PART NO.	DESCRIPTION	JOG2				REMARKS
1	2UD-84300-00	HEADLIGHT ASSY	2				
2	98502-03530	SCREW, PAN HEAD	2				
3	90501-08614	SPRING, COMPRESSION	2				
4	2GU-84334-00	NUT, ADJUSTING	2				
5	90183-05008	NUT, SPRING	4				
6	98902-05016	SCREW, BIND	4				
7	J0G-F3174-00	STAY, HEADLIGHT	2				
8	92907-05200	WASHER	4				
9	J0G-K7387-00	SCREW	4				
10	90183-060A6	NUT, SPRING	2				
11	90119-06147	BOLT, WITH WASHER	2				

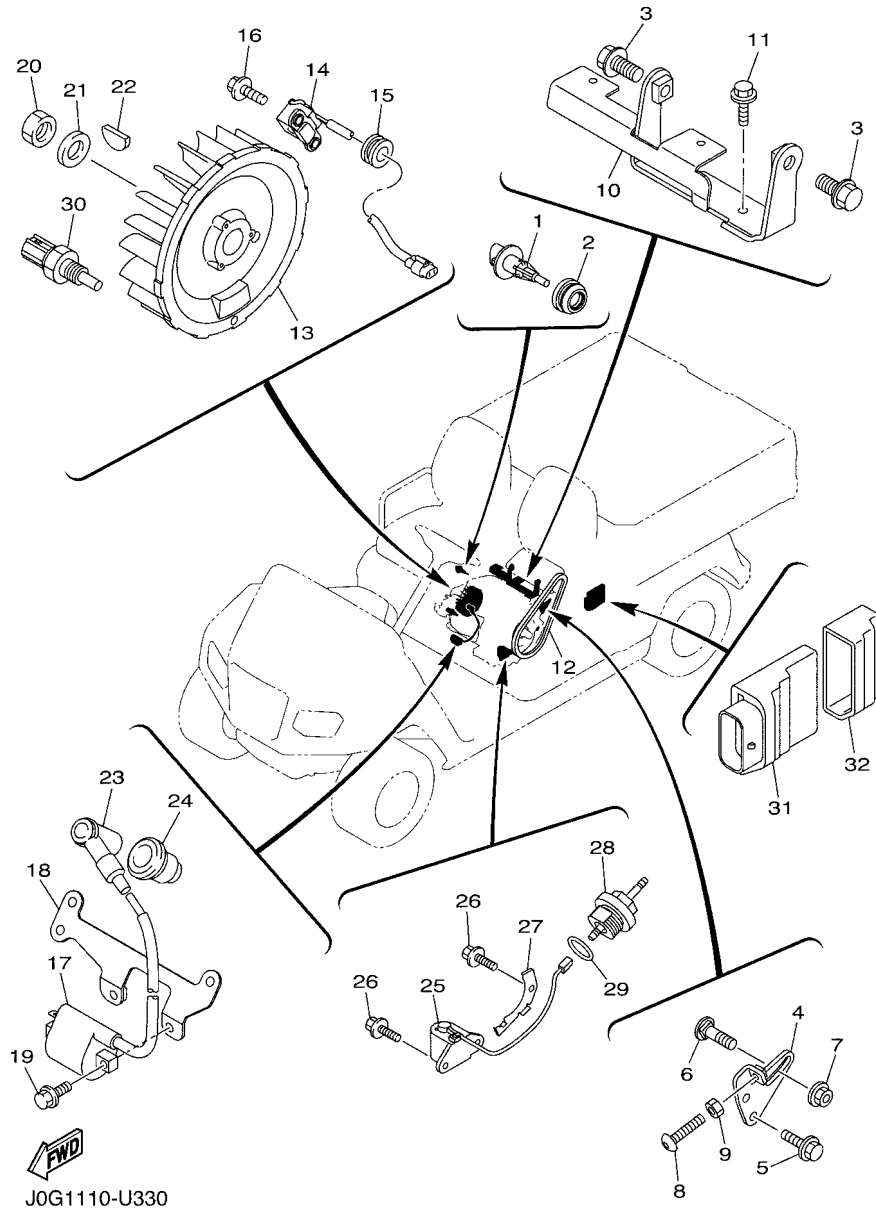




**FIG. 33 ELECTRICAL 1**

REF. NO.	PART NO.	DESCRIPTION	J0G2				REMARKS
1	5CA-85886-00	SENSOR, AIR TEMPRATURE	1				
2	5CA-14435-00	GROMMET	1				
3	95812-12030	BOLT, FLANGE	2				
4	J0G-H1170-00	TENSIONER ASSY	1				
5	95822-08020	BOLT, FLANGE	2				
6	90109-08827	BOLT	1				
7	95702-08500	NUT, FLANGE	1				
8	92012-06035	BOLT, BUTTON HEAD	1				
9	95302-06600	NUT, HEXAGON	1				
10	J0G-H1171-01	BRACKET, STARTER GENERATOR	1				
11	95822-08020	BOLT, FLANGE	2				
12	JW1-H1173-02	BELT	1				
13	J0G-H5650-10	ROTOR ASSY	1				
14	J0G-H1670-10	PICK-UP ASSY	1				
15	90480-19368	GROMMET	1				
16	95822-06016	BOLT, FLANGE	2				
17	J0G-H2310-00	IGNITION COIL ASSY	1				
18	J0G-H2316-01	BRACKET, IGNITION COIL	1				
19	95822-06016	BOLT, FLANGE	2				
20	90170-18391	NUT	1				
21	90201-18803	WASHER, PLATE	1				
22	90280-04801	KEY, WOODRUFF	1				
23	7CN-H2370-00	PLUG CAP ASSY	1				
24	7CP-H2372-00	SEAL, PLUG CAP	1				
25	J0G-H5720-00	OIL LEVEL GAUGE ASSY	1				
26	95822-06012	BOLT, FLANGE	3				
27	J0G-H5724-00	CLAMP	1				

**FIG. 33 ELECTRICAL 1**



REF. NO.	PART NO.	DESCRIPTION	J0G2				REMARKS
28	J0G-E5362-00	PLUG, OIL LEVEL	1				
29	93210-15803	O-RING	1				
30	2SB-H3591-00	THERMO UNIT	1				
31	J0G-H591A-01	ENGINE CONTROL UNIT ASSY	1				
32	J0B-H5546-00	BAND	1				

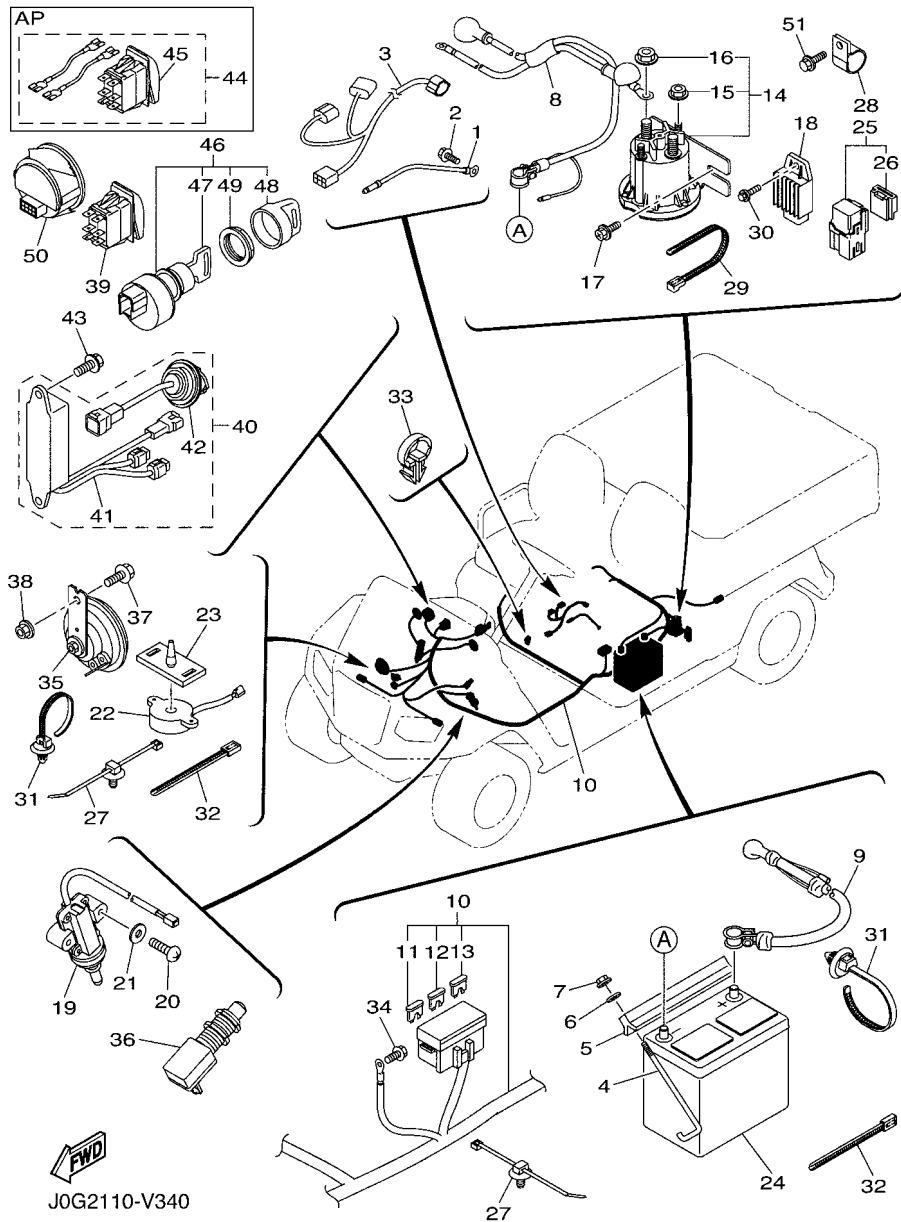
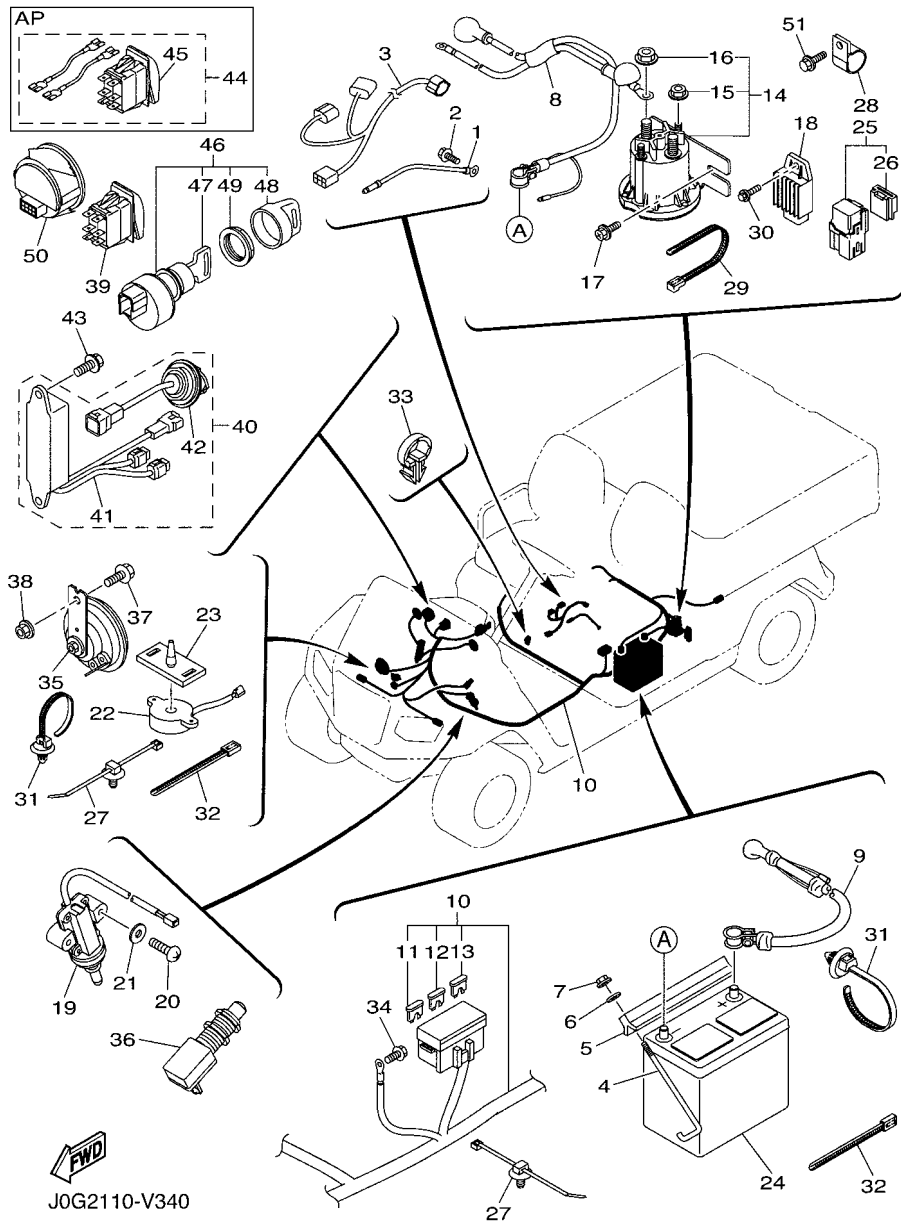


FIG. 34 ELECTRICAL 2

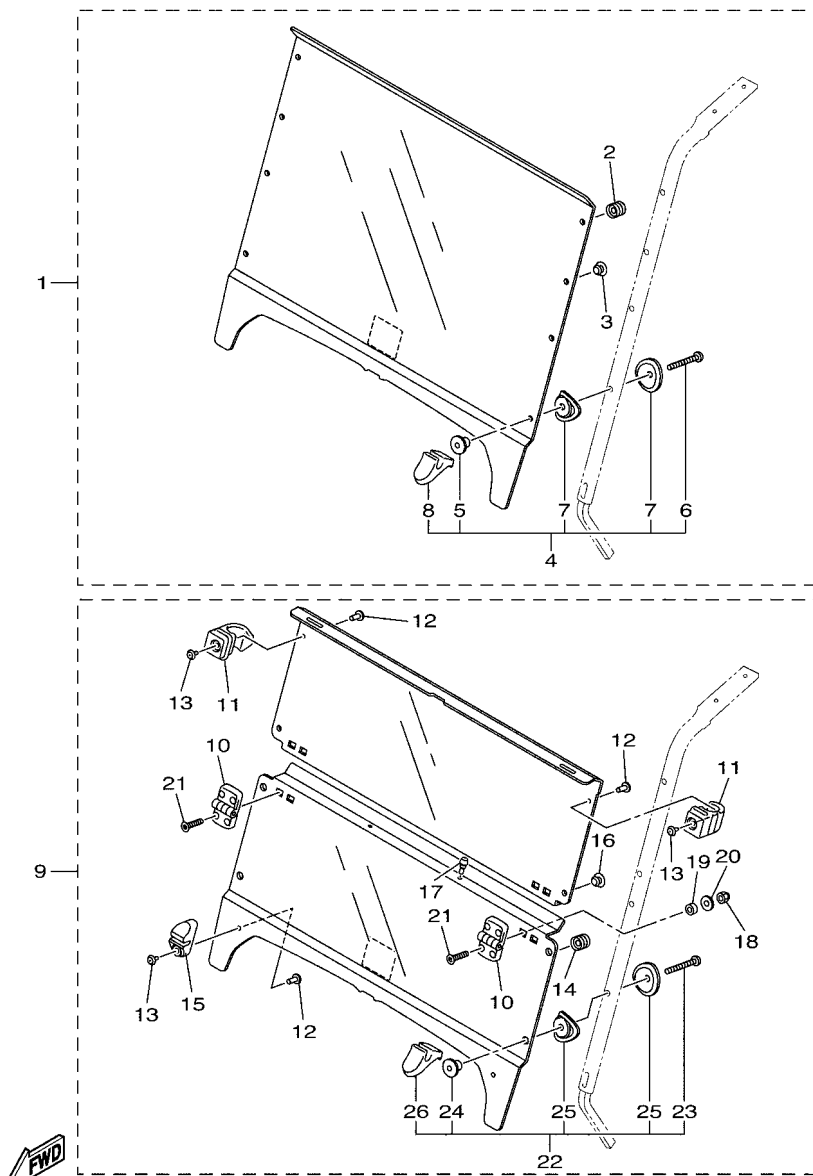
REF. NO.	PART NO.	DESCRIPTION	J0G2	REMARKS
1	J0G-H2519-00	WIRE, EARTH LEAD	1	
2	95822-06012	BOLT, FLANGE	1	
3	J0G-H2149-00	WIRE, LEAD 3	1	
4	JW1-H2133-00	SCREW, FITTING	2	
5	J55-H2136-00	PLATE, BATTERY FITTING	1	
6	92902-06200	WASHER	2	
7	95702-06500	NUT, FLANGE	2	
8	JW7-H1441-02	LEAD WIRE ASSY	1	
9	JW7-H2115-00	WIRE, PLUS LEAD	1	
10	J0G-H2590-10	WIRE HARNESS ASSY	1	
11	JW6-H554E-00	.FUSE (10A)	1	
12	JW6-H554E-10	.FUSE (15A)	1	
13	JW6-H554E-20	.FUSE (25A)	1	
14	JW1-H1950-00	RELAY ASSY	1	
15	90179-05807	.NUT	2	
16	90179-08824	.NUT	2	
17	90105-06831	BOLT, FLANGE	2	
18	JF2-81910-11	VOLTAGE REGULATOR ASSY	1	
19	JF7-82817-22	SWITCH	1	
20	98502-05025	SCREW, PAN HEAD	2	
21	92902-05600	WASHER, PLATE	2	
22	JR1-H3383-02	BUZZER	1	
23	JN6-H3386-01	STAY, BUZZER	1	
24	*	BATTERY ASSY (GC-24, 12V)	1	
25	1TP-81950-00	RELAY ASSY (1TP-00)	1	
26	5EA-81952-00	.HOLDER, RELAY	1	
27	1NS-F1338-00	CLAMP	5	



**FIG. 34 ELECTRICAL 2**

REF. NO.	PART NO.	DESCRIPTION	JOG2	REMARKS
28	90461-14108	CLAMP	1	
29	90464-09823	CLAMP	1	
30	90105-06870	BOLT, FLANGE	1	
31	90464-20005	CLAMP	6	
32	90464-40825	CLAMP	3	
33	90464-19815	CLAMP	1	
34	90105-08867	BOLT, FLANGE	1	
35	4LR-83371-11	HORN	1	
36	JR6-H270X-00	SWITCH	1	
37	95822-06016	BOLT, FLANGE	1	
38	95702-06500	NUT, FLANGE	1	
39	J0G-H2526-00	SWITCH, LAMP	1	
40	J0D-H21E0-02	USB ASSY	1	
41	J0D-H21E1-01	.PLUG, USB	1	
42	J0D-H21E2-01	.CABLE, USB	2	
43	90119-06868	BOLT, WITH WASHER	2	
44	J0G-H25A0-A0	LIGHT SWITCH KIT	1	AP
45	J0G-H2565-A0	.PANEL, SWITCH	1	
46	J0G-H2510-00	MAIN SWITCH ASSY	1	
47	JU6-H2511-10	.KEY, MAIN SWITCH	2	
48	5UG-H2579-00	.CAP, KEY	1	
49	JU6-H2569-00	.NUT, MAIN SWITCH	1	
50	J0G-H351C-01	GAUGE 1	1	
51	90119-06868	BOLT, WITH WASHER	1	

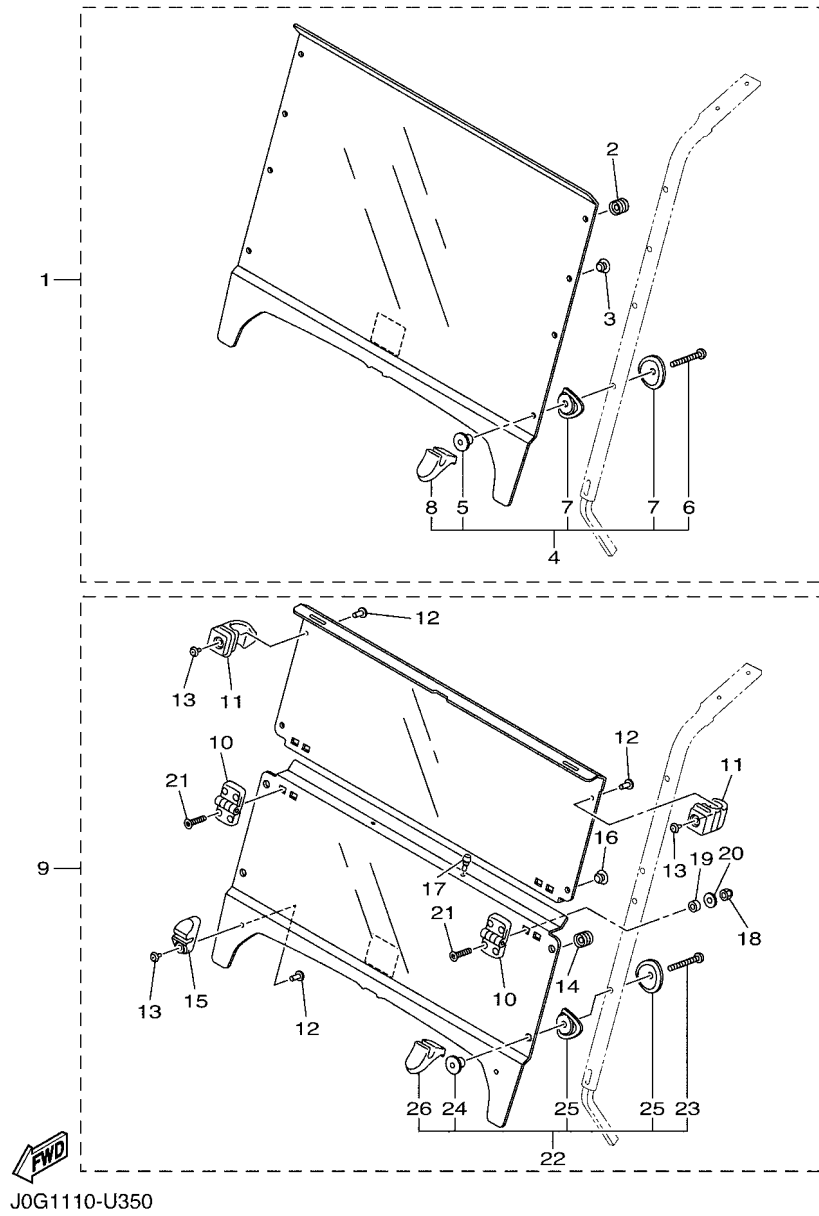
**FIG. 35 ALTERNATE FOR WINDSHIELD**



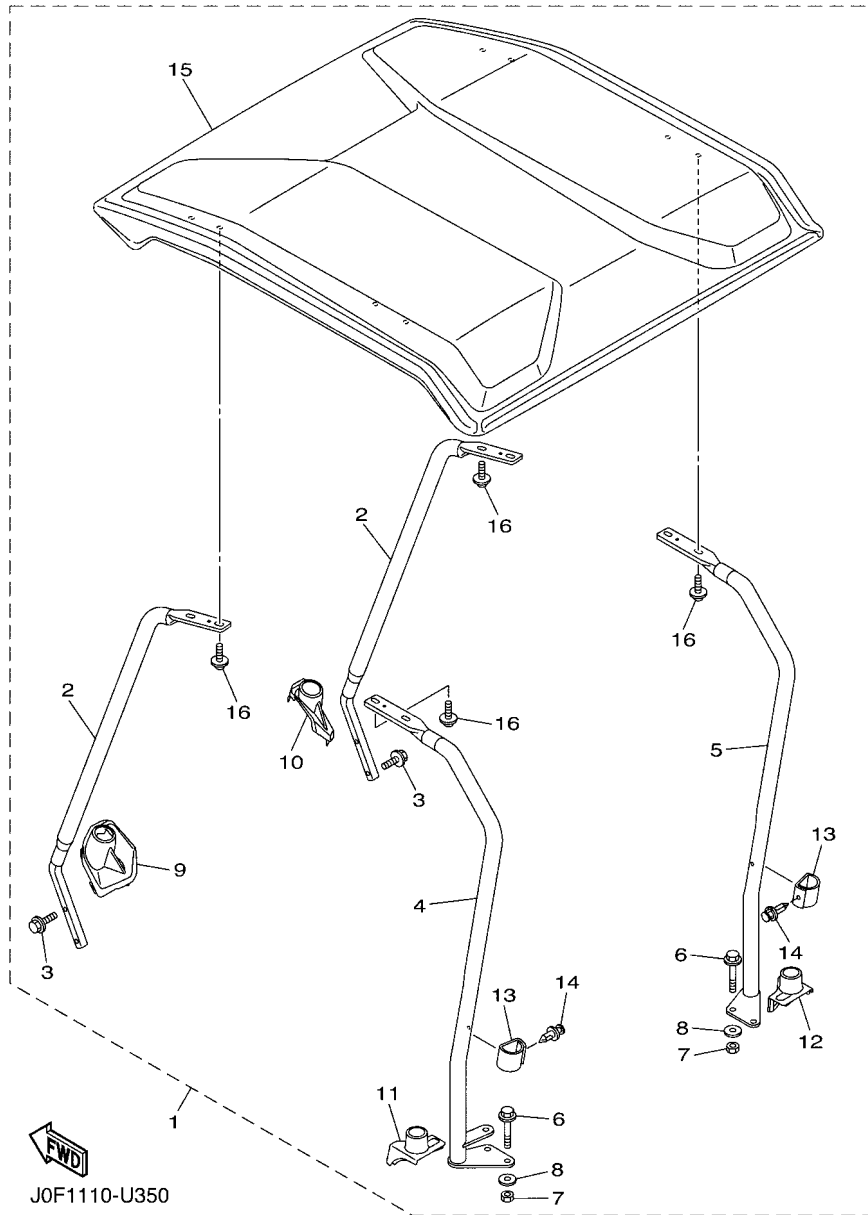
J0G1110-U350

REF. NO.	PART NO.	DESCRIPTION	J0G2	REMARKS
1	J0G-K7200-A1	WINDSHIELD ASSY	1	UR AP CLEAR
	J0G-K7200-B1	WINDSHIELD ASSY	1	UR AP SMOKE
2	J0B-K7237-00	.GROMMET	6	
3	J0B-K7238-00	.DAMPER	2	
4	J0G-K7240-A0	.WIND SHIELD HARDWARE KIT 1	1	
5	J0B-K7217-00	..NUT, WIND SHIELD	6	
6	J0G-K7248-A0	..SCREW 1	6	
7	J0G-K7218-A0	..WASHER 1	12	
8	J0G-K838A-A0	..RETAINER 1	1	
9	J0G-K7200-C1	WINDSHIELD ASSY	1	UR AP CLEAR
	J0G-K7200-D1	WINDSHIELD ASSY	1	UR AP SMOKE
10	J0G-K721F-C1	.HINGE 1	2	
11	J0G-K7173-C0	.LEVER, LATCH 1	2	
12	J0G-K7155-C0	.RIVET 1	4	
13	J0G-K7156-C0	.RIVET 2	4	
14	J0B-K7237-00	.GROMMET	4	
15	J0B-K7257-00	.GROMMET, W/S 3	2	
16	J0B-K7238-00	.DAMPER	2	
17	J0B-K7529-20	.SPACER, BUMPER	2	
18	J0G-K6169-C0	.NUT	8	
19	J0G-K6197-C0	.SPACER	8	
20	J0G-K7389-C0	.WASHER	8	
21	J0G-K7258-C0	.SCREW, 2	8	
22	J0G-K7240-C1	.WIND SHIELD HARDWARE KIT 1	1	
23	J0G-K7248-A0	..SCREW 1	4	
24	J0B-K7217-00	..NUT, WIND SHIELD	4	
25	J0G-K7218-A0	..WASHER 1	8	

**FIG. 35 ALTERNATE FOR WINDSHIELD**

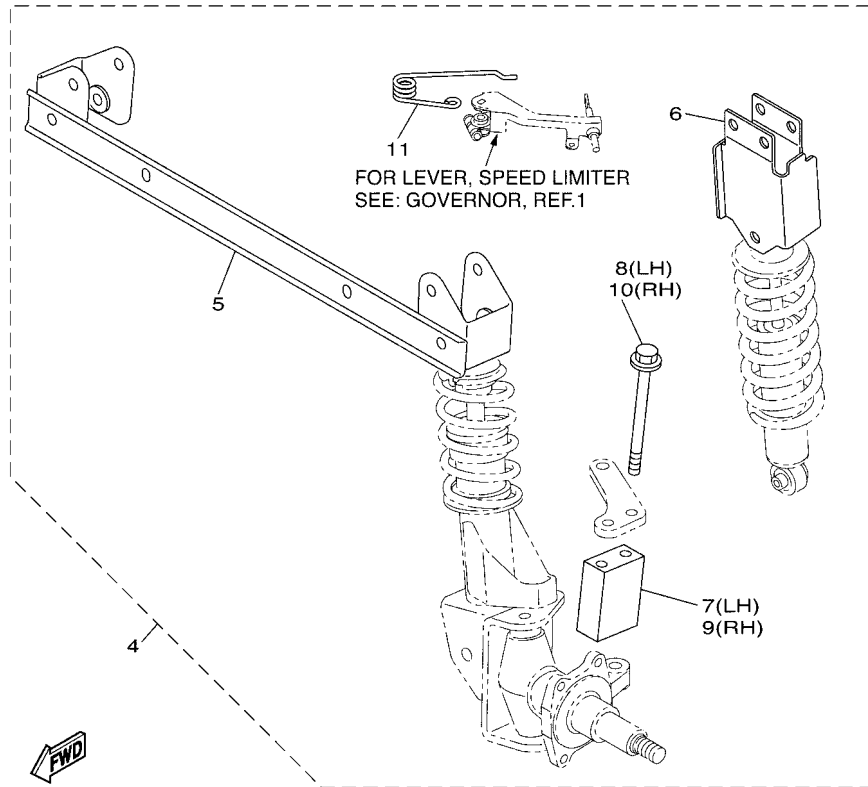
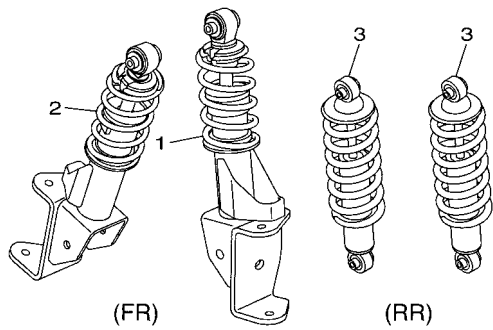


REF. NO.	PART NO.	DESCRIPTION	JOG2				REMARKS
26	J0G-K838A-A0	..RETAINER 1	1				



**FIG. 36 ALTERNATE FOR SUN ROOF**

REF. NO.	PART NO.	DESCRIPTION	J0G2				REMARKS
1	J0G-K84A0-A1	SUN TOP KIT	1				AP
2	J0G-K8312-A0	.SUPPORT, SUN ROOF 1	2				
3	J0P-K8384-00	.BOLT	4				
4	J0G-K8313-A0	.SUPPORT, SUN ROOF 2	1				
5	J0G-K831A-A0	.SUPPORT, ROOF 3	1				
6	J0P-K8385-00	.BOLT 2	4				
7	J0P-K8399-00	.NUT, ROOF 2	4				
8	J0P-K837E-00	.WASHER, ROOF 2	4				
9	J0P-K832F-00	.GROMMET, ROOF SUPPORT 1	1				
10	J0P-K832G-00	.GROMMET, ROOF SUPPORT 2	1				
11	J0G-K817H-A0	.TRIM, SIDE PANEL 1	1				
12	J0G-K817J-A0	.TRIM, SIDE PANEL 2	1				
13	J0P-K8305-00	.DAMPER	2				
14	90269-06804	.RIVET	2				
15	J0G-K8314-A0	.COVER, SUN ROOF	1				
16	J0B-K8388-00	.BOLT, ROOF 1	8				

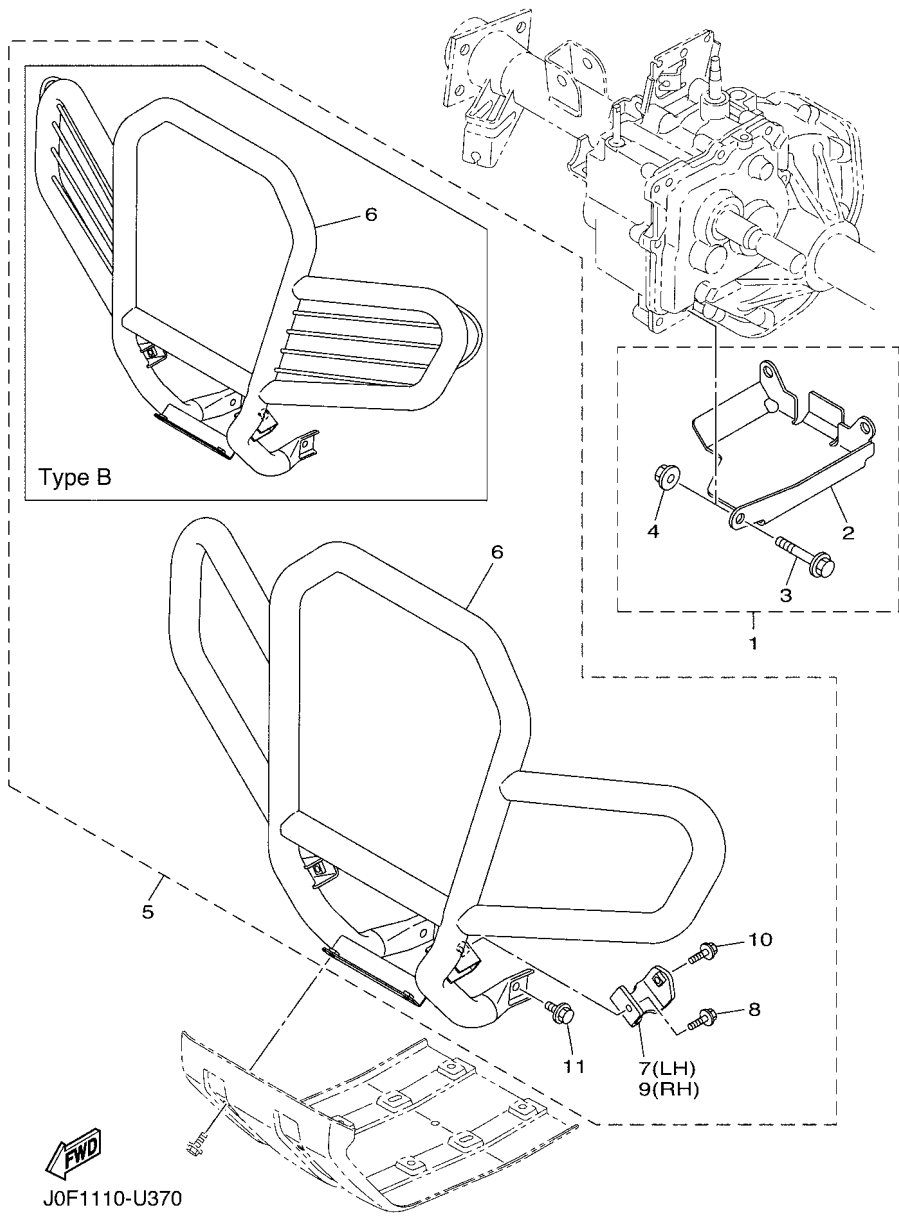


J0G2110-V370

FIG. 37 ALTERNATE FOR CHASSIS 1

REF. NO.	PART NO.	DESCRIPTION	J0G2	REMARKS
1	JW7-F3350-11	SHOCK ABSORBER ASSY	1	AP
2	JW7-F3390-11	SHOCK ABSORBER ASSY 2	1	AP
3	J0M-F2210-00	SHOCK ABSORBER ASSY, REAR	2	AP
4	J0G-F2520-A1	LIFT UP KIT	1	AP
5	J0M-F1415-00	.BRACKET, FRONT UPPER 1	1	
6	J0M-F1121-00	.BRACKET, DAMPER	2	
7	J0M-F3118-00	.SPACER	1	
8	90105-108A9	.BOLT, FLANGE	2	
9	J0M-F3118-00	.SPACER	1	
10	90105-108A9	.BOLT, FLANGE	2	
11	90508-40813	.SPRING, TORSION	1	

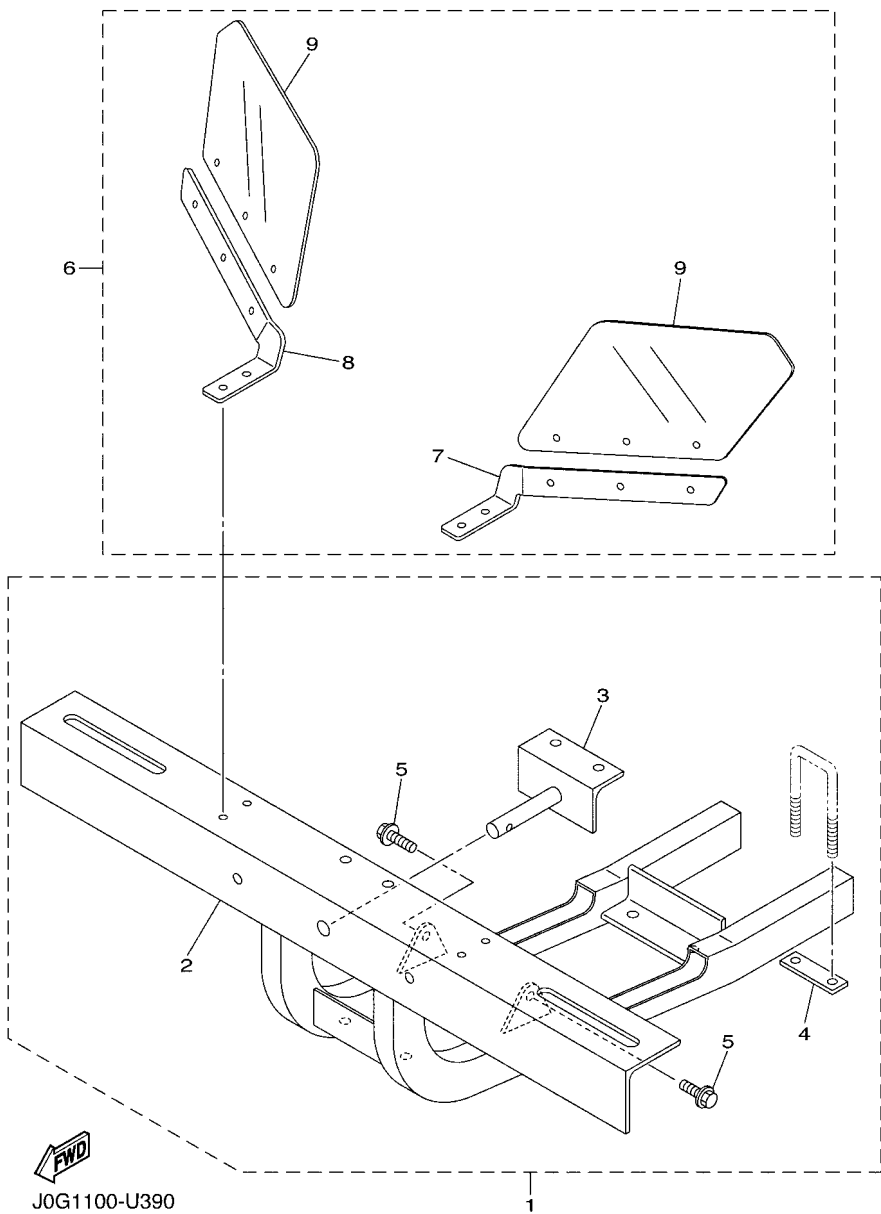




**FIG. 38 ALTERNATE FOR CHASSIS 2**

REF. NO.	PART NO.	DESCRIPTION	J0G2	REMARKS
1	J0G-F21A0-A0	REAR ARM SKID PLATE KIT	1	AP
2	J0G-G2735-A0	.PROTECTOR	1	
3	J0G-F2277-A0	.BOLT	1	
4	95602-08200	.NUT, U FLANGE	1	
5	J0G-F85F0-A0	BRUSH GUARD KIT	1	UR AP TYPE A
	J0G-F85F0-B0	BRUSH GUARD KIT	1	UR AP TYPE B
6	J0G-F845N-A0	.BAR, CARRY FRONT	1	UR TYPE A
	J0G-F845N-B0	.BAR, CARRY FRONT	1	UR TYPE B
7	J0G-F845S-A0	.SUPT, 1	1	
8	J0G-F8331-A0	.BOLT, LEG SHIELD	2	
9	J0G-F845T-A0	.SUPT. ,2	1	
10	J0G-F8331-A0	.BOLT, LEG SHIELD	2	
11	90105-10877	.BOLT, FLANGE	2	

**FIG. 39 ALTERNATE FOR CHASSIS 3**



REF. NO.	PART NO.	DESCRIPTION	JOG2	REMARKS
1	J0G-F28M2-A0	HARDWARE KIT, FR. W/MOUNT	1	UR AP TYPE A
	J0G-F28M2-B0	HARDWARE KIT, FR. W/MOUNT	1	UR AP TYPE B
2	J0G-F2802-A0	.BASE COMP,MOUNT	1	
3	J0G-F740A-A0	.BRACKET SUB ASSY (LEFT)	1	TYPE B
4	J0G-F1523-A0	.PLATE 1	1	
5	90105-10845	.BOLT, FLANGE	2	
6	J0G-H4105-A0	HEAD LIGHT GUARD KIT	1	AP
7	J0G-H4167-A0	.STAY, GUARD HEADLIGHT 1	1	
8	J0G-H4168-A0	.STAY, GUARD HEADLIGHT 2	1	
9	J0G-H4121-A0	.LENS, HEADLIGHT	2	

NUMERICAL INDEX

PART NO.	REF. NO.	PART NO.	REF. NO.	PART NO.	REF. NO.	PART NO.	REF. NO.	PART NO.	REF. NO.	PART NO.	REF. NO.
JR7-12634-00	5 - 15	J10-27286-00	17 - 28	J0G-E2170-00	4 - 1	J0G-F1436-10	7 - 2	J0M-F3118-00	37 - 9	J0G-F4317-00	14 - 19
JC0-13448-00	6 - 9	JN9-27290-10	17 - 18	J0G-E2616-00	5 - 3	JW7-F1459-00	10 - 24	JW1-F312G-00	26 - 37	JU5-F4375-00	14 - 4
JN6-13567-00	6 - 8	J38-27951-00	19 - 1	J0G-E2621-00	5 - 1	J0G-F151F-00	26 - 21	JW7-F312H-00	15 - 18	JW8-F4486-00	16 - 44
J0B-13770-00	6 - 6	J38-27959-00	19 - 5	J0G-E2651-00	5 - 5	J0G-F151F-10	26 - 21		23 - 5		16 - 48
J0G-13907-00	14 - 8	J10-81115-10	31 - 21	J0G-E2652-01	5 - 7	J0G-F151F-20	26 - 21	J0G-F3145-00	16 - 49	JW1-F4610-11	14 - 2
J0G-13971-00	14 - 12	J10-81129-10	31 - 24	J0G-E2653-01	5 - 10	J0G-F1523-A0	39 - 4	J0G-F3174-00	32 - 7	J0G-F463F-00	29 - 12
3B4-14424-00	6 - 24	J10-81139-10	31 - 25	J0G-E2658-00	5 - 6	JW6-F1633-00	29 - 59	JW1-F3183-00	13 - 12	J0G-F464R-00	26 - 2
5CA-14435-00	33 - 2	J10-81146-10	31 - 11	J0G-E2659-00	5 - 11	J0G-F1696-00	27 - 43	JW8-F3183-00	16 - 17	JW1-F467K-00	13 - 23
7KY-14613-01	7 - 14	J10-81147-10	31 - 14	J0G-E2691-00	5 - 13	J0G-F1696-10	27 - 43	JW8-F4700-00	29 - 10	J0G-F4700-00	30 - 5
JT0-21481-00	9 - 3	J10-81148-10	31 - 7	J0G-E3567-00	6 - 15	J0G-F1696-20	27 - 43	J0G-F3350-02	12 - 17	J0G-F4711-00	30 - 12
1XD-2175K-10	30 - 17	J10-81159-10	31 - 4		6 - 17	BG4-F16A0-00	29 - 14	JW7-F3350-11	37 - 1	1XD-F4723-00	30 - 7
401-22128-01	12 - 19	JF2-81910-11	34 - 18	J0G-E3567-10	6 - 19	BG4-F16B0-00	29 - 15	J0G-F3390-02	12 - 22	J0G-F4731-00	30 - 6
2NL-23517-00	12 - 14	1TP-81950-00	34 - 25	J0G-E3585-00	6 - 2	J0B-F1738-00	11 - 7	JW7-F3390-11	37 - 2	J0G-F473C-01	30 - 2
5B4-23841-00	13 - 27	5EA-81952-00	34 - 26	J0G-E3595-00	6 - 10		11 - 8	JW1-F3400-00	13 - 10	J0G-F473D-01	30 - 3
16B-2385L-10	10 - 18	1WS-82380-00	6 - 3	J0G-E3750-00	6 - 1		11 - 9	5UG-F3489-00	13 - 20	1XD-F4742-00	30 - 8
16B-2385M-10	10 - 19	JN3-82617-01	23 - 19	J0B-E4411-01	6 - 23	JW1-F1738-00	14 - 21	J0G-F3511-00	12 - 6	J0G-F4747-00	29 - 37
4WM-24180-00	14 - 15	JF7-82817-22	34 - 19	J0B-E4412-00	6 - 20	JC2-F1781-00	27 - 41	J0G-F3512-01	12 - 7	J0G-F4790-00	30 - 11
1S3-24486-00	14 - 10	4LR-83371-11	34 - 35	J0B-E4451-01	6 - 21	J0G-F1798-00	11 - 10	J0G-F3521-00	12 - 15	JW8-F47E3-00	22 - 36
J0G-24491-00	14 - 9	2UD-84300-00	32 - 1	JU0-E445E-00	6 - 22	J0G-F194N-00	14 - 6	1HP-F3526-00	12 - 4	J0G-F5100-00	24 - 2
J55-25357-00	17 - 22	2GU-84334-00	32 - 4	J0G-E4610-01	7 - 3	J0G-F194R-00	14 - 7	5UG-F3527-00	13 - 21	J0M-F5100-00	24 - 11
J55-25358-00	17 - 9	5CA-85886-00	33 - 1	J0G-E4639-00	7 - 12	J0G-F1998-00	12 - 31	J0G-F3570-00	12 - 2	J0G-F5100-B0	24 - 15
J0G-26341-00	15 - 9	J0G-E1111-00	2 - 1	J0M-E4710-01	7 - 1	J0G-F2110-01	10 - 1	J0G-F3811-00	13 - 1	J0G-F5103-00	12 - 23
JW7-26351-10	15 - 10	7CT-E1116-00	2 - 9	J0B-E4714-00	7 - 4	JW6-F2123-00	29 - 58	JW1-F3812-00	13 - 13	J0G-F510S-00	24 - 3
J0G-26361-00	15 - 16	7CT-E1133-00	2 - 2	J0G-E4715-00	7 - 5	JN6-F2123-20	10 - 2	JW1-F3822-01	13 - 29	J0M-F510S-00	24 - 12
J0G-26373-00	15 - 17	7VB-E1163-00	2 - 16	J0G-E4759-00	7 - 10	JN6-F2124-10	10 - 6	JU0-F3828-10	13 - 4	J0G-F510S-10	24 - 8
J38-27204-00	17 - 8	J0G-E1166-00	2 - 14	J0G-E4799-01	7 - 8	J0G-F2125-00	29 - 30	1P0-F3833-00	13 - 26	J0G-F510S-B0	24 - 16
	18 - 15	J0G-E1168-00	2 - 10	J0G-E479E-00	7 - 9	J0B-F2127-00	11 - 17	JW1-F3837-00	13 - 22	J0G-F510S-C0	24 - 20
J38-27205-00	17 - 21	7HD-E1181-00	2 - 3	J0G-E5111-00	8 - 1	JW1-F217G-10	10 - 10	J0B-F3838-00	13 - 6	JW8-F5118-00	22 - 58
	18 - 4	J0G-E1191-00	2 - 8	J0G-E5361-00	8 - 16	J0G-F21A0-A0	38 - 1	5UG-F3844-00	13 - 19	JN6-F5118-01	12 - 29
JH2-27208-01	17 - 6	7HD-E1193-00	2 - 11	J0G-E5362-00	33 - 28	J0G-F2210-00	10 - 14	JU0-F3857-20	13 - 3	J0G-F5180-00	24 - 4
JH2-27209-01	17 - 19	7CT-E1198-00	8 - 6	7BX-E536A-20	8 - 14	J0M-F2210-00	37 - 3		13 - 5		24 - 9
JW7-27213-00	15 - 8	J0G-E1400-00	3 - 1	J0G-E5411-00	8 - 8	J0G-F2219-00	11 - 18	JW1-F3866-00	13 - 24		24 - 17
JW7-27227-00	15 - 1	7HP-E1454-00	3 - 8	J0G-E5451-00	8 - 12	J0G-F2277-A0	38 - 3	1D9-F386G-10	10 - 21		24 - 21
JW7-27229-00	15 - 14	7HD-E1610-00	3 - 3	J0G-E7605-01	20 - 10	J0G-F2501-00	11 - 1	1D9-F386H-01	10 - 22	J0M-F5180-00	24 - 13
JW7-27238-00	15 - 6	J0G-E1631-00	3 - 2	J0G-E7624-00	20 - 20	J0G-F2504-01	11 - 28	JW1-F387A-00	13 - 11	J0G-F5300-00	24 - 7
J55-27260-00	17 - 27	7HD-E1633-00	3 - 4	J0G-E7653-00	20 - 7	J0G-F2520-A1	37 - 4	JW1-F387E-00	13 - 14	J0G-F5300-A0	24 - 19
	18 - 9	7HP-E1650-00	3 - 6		20 - 8	J0B-F253B-01	11 - 4	5UG-F387F-00	13 - 17	JW8-F5415-00	16 - 26
J55-27270-00	17 - 14	7CT-E1654-00	3 - 7	JW8-E7688-00	21 - 7	J0G-F2546-01	14 - 30	5UG-F387G-00	13 - 15	JW9-F5666-00	16 - 13
	18 - 20	7CT-E2111-00	4 - 2	J0G-E9001-A1	1 - 1	J0G-F2547-00	14 - 34	5UG-F387J-00	13 - 18	J0G-F5671-00	16 - 4
JW7-27275-00	15 - 15	7CT-E2117-00	4 - 6	J0M-F1121-00	37 - 6	J0G-F255G-01	11 - 2	5UG-F387K-00	13 - 16	JW9-F5673-00	16 - 45
JN9-27280-10	17 - 5	7CT-E2118-00	4 - 7	J0G-F114B-00	29 - 26	J0G-F258E-00	11 - 13	JW1-F3894-00	13 - 25	JW7-F5681-00	15 - 4
J10-27281-00	17 - 10	7CT-E2119-00	4 - 14	1NS-F1338-00	34 - 27	J0B-F258R-01	11 - 20	BG4-F389F-01	29 - 6	J0G-F5922-00	16 - 43
	17 - 23	7HD-E2121-00	4 - 3	JW8-F135J-00	20 - 5	J0G-F2802-A0	39 - 2	J0G-F4111-01	14 - 1	J0G-F6311-00	16 - 51
J10-27282-00	17 - 11	7CT-E2151-00	4 - 8		21 - 4	BG4-F2805-00	29 - 9	JW1-F4112-00	14 - 3	J0G-F6312-00	6 - 25
	17 - 24	7CT-E2153-00	4 - 4	J0G-F1415-00	12 - 30	J0G-F28M2-A0	39 - 1	7CC-F4170-01	14 - 14	JW8-F6314-00	16 - 22
	18 - 6	J0G-E2154-00	4 - 13	J0M-F1415-00	37 - 5	J0G-F28M2-B0	39 - 1	J0G-F419A-00	14 - 20	JW8-F639N-00	16 - 10
	18 - 17	7HD-E2156-00	4 - 11	J0M-F1417-00	12 - 32	J0G-F3118-00	12 - 8	J0G-F4314-00	14 - 17	JW8-F7118-00	16 - 41
J10-27286-00	17 - 15	7CT-E2159-00	4 - 9	J0F-F1425-00	11 - 32	J0M-F3118-00	37 - 7	JW7-F4316-00	14 - 18	JW8-F7119-00	16 - 29

NUMERICAL INDEX

PART NO.	REF. NO.	PART NO.	REF. NO.	PART NO.	REF. NO.	PART NO.	REF. NO.	PART NO.	REF. NO.	PART NO.	REF. NO.
JW8-F7121-00	16 - 14	J0G-F845C-01	29 - 22	J0G-G6300-10	18 - 1	J0G-H1171-01	33 - 10	J0G-K6169-C0	35 - 18	J0G-K7218-A0	35 - 7
J0G-F7200-02	16 - 2	J0G-F845D-00	29 - 21		22 - 1	JW1-H1173-02	33 - 12	J0G-K6197-C0	35 - 19		35 - 15
JW8-F7213-20	16 - 34	J0G-F845N-A0	38 - 6	JW8-G6313-10	22 - 7	J0G-H1362-00	26 - 33	J0B-K7115-00	13 - 37	J0G-K721F-C1	35 - 20
JW8-F7217-00	16 - 32	J0G-F845N-B0	38 - 6	JW8-G6314-00	22 - 6	JW7-H1441-Q2	34 - 8	J0G-K711A-00	29 - 1	J0B-K7237-00	35 - 2
J0G-F7218-00	16 - 11	J0G-F845S-A0	38 - 7	JN3-G6316-00	22 - 12	JN3-H1661-00	31 - 28	J0G-K711A-10	29 - 1		35 - 14
JW9-F7221-00	16 - 15	J0G-F845T-A0	38 - 9	JU0-G631A-00	22 - 21	J0G-H1670-10	33 - 14	J0G-K711A-20	29 - 1	J0B-K7238-00	35 - 3
JW9-F7228-00	16 - 24	J0G-F846C-00	29 - 20	JW8-G6320-00	22 - 55	JW9-H1674-00	30 - 1	J0G-K711A-30	29 - 1		35 - 16
JU0-F722H-00	22 - 34	J0G-F846T-00	29 - 43	JN3-G6326-00	22 - 14	JW1-H1950-00	34 - 14	J0G-K711A-40	29 - 1	J0G-K7240-A0	35 - 4
JW9-F7231-10	16 - 19	J0G-F846U-00	29 - 45	JN3-G6327-00	22 - 9	JW7-H2115-00	34 - 9	J0G-K711A-50	29 - 1	J0G-K7240-C1	35 - 22
JW9-F7232-00	16 - 20	J0G-F847B-00	29 - 8	JW8-G6330-00	22 - 15	JW1-H2133-00	34 - 4	J0G-K711B-00	29 - 2	J0G-K7248-A0	35 - 6
JU0-F723F-00	22 - 48	J0G-F85F0-A0	38 - 5	J0G-G633G-00	22 - 10	J55-H2136-00	34 - 5	J0G-K711B-10	29 - 2		35 - 23
JW9-F7245-10	16 - 30	J0G-F85F0-B0	38 - 5	J0G-G6344-00	22 - 57	J0G-H2149-00	34 - 3	J0G-K711B-20	29 - 2	J0G-K7254-00	29 - 1
JW9-F7246-20	16 - 46	JW8-G1661-00	22 - 18	JN3-G6355-00	22 - 13	J0D-H21E0-02	34 - 40	J0G-K711B-30	29 - 2	J0G-K7254-10	29 - 1
JW7-F7263-00	17 - 1	JW8-G2181-00	16 - 56	JN3-G6356-00	22 - 11	J0D-H21E1-01	34 - 41	J0G-K711B-40	29 - 2	J0G-K7254-20	29 - 1
JW7-F7264-00	17 - 2	J0G-G2535-00	22 - 30	J0G-G6371-01	23 - 3	J0D-H21E2-01	34 - 42	J0G-K711B-50	29 - 2	J0G-K7254-40	29 - 1
JW8-F7280-10	18 - 13	J0G-G2536-00	22 - 32	J0B-G6372-10	23 - 17	J0G-H2310-00	33 - 17	J0G-K711C-00	27 - 38	J0G-K7255-00	29 - 2
JW8-F7281-00	18 - 5	JW8-G2541-00	22 - 59	JW8-G6374-00	21 - 10	J0G-H2316-01	33 - 18	J0G-K711C-10	27 - 38	J0G-K7255-10	29 - 2
	18 - 16	JC1-G2544-00	22 - 26	JN3-G6376-00	23 - 11	7CN-H2370-00	33 - 23	J0G-K711C-20	27 - 38	J0G-K7255-20	29 - 2
JW8-F7286-00	18 - 10	J0G-G2735-A0	38 - 2	JU0-G6376-00	22 - 56	J0B-H2370-00	26 - 44	J0G-K711C-30	27 - 38	J0G-K7255-40	29 - 2
	18 - 21	J0G-G3127-00	20 - 12	JN3-G6381-00	23 - 10	7CP-H2372-00	33 - 24	J0G-K711C-40	27 - 38	J0B-K7257-00	35 - 15
JW8-F7290-10	18 - 2	J0G-G3137-00	20 - 16	J0G-G6382-00	23 - 6	J0G-H2510-00	34 - 46	J0G-K711C-50	27 - 38	J0G-K7258-C0	35 - 21
J0G-F7313-00	16 - 12	J0G-G3886-00	22 - 44	JW8-G6383-10	23 - 4	JU6-H2511-10	34 - 47	J0G-K711D-00	27 - 39	J0B-K7363-00	13 - 36
JW8-F7316-01	16 - 31	JW8-G4178-00	22 - 28	JW8-G638A-00	22 - 16	J0G-H2519-00	34 - 1	J0G-K711D-10	27 - 39	J0G-K7377-00	29 - 42
JW8-F7317-00	16 - 40	J0G-G5244-00	22 - 29	JN6-G638E-00	22 - 42	J0G-H2526-00	34 - 39	J0G-K711D-20	27 - 39	J0B-K7387-00	13 - 34
JW8-F7318-00	16 - 21	J0G-G5378-00	22 - 33	J0G-G6410-00	22 - 8	J0G-H2565-A0	34 - 45	J0G-K711D-30	27 - 39	J0G-K7387-00	26 - 27
JW8-F7322-00	16 - 16	JW8-G5531-00	21 - 9	JN3-G6432-00	22 - 5	JU6-H2569-00	34 - 49	J0G-K711D-40	27 - 39		26 - 29
J0G-F740A-A0	39 - 3	JW8-G5677-00	21 - 12	J0G-G6511-00	22 - 41	5UG-H2579-00	34 - 48	J0G-K711D-50	27 - 39		26 - 34
J0G-F7411-00	11 - 6	JW8-G5697-20	21 - 15	J0G-G6512-00	22 - 40	J0G-H2590-10	34 - 10	J0G-K711E-00	27 - 40		32 - 9
J0G-F7416-00	16 - 9	J0G-G5721-00	22 - 45	J0G-G6514-00	22 - 27	J0G-H25A0-A0	34 - 44	J0G-K711E-10	27 - 40	J0G-K7389-C0	35 - 20
JW8-F7426-01	16 - 18	J0G-G6106-00	22 - 4	JW3-G6521-00	12 - 33	JR6-H270X-00	34 - 36	J0G-K711E-20	27 - 40	J0G-K7392-00	29 - 39
JW8-F7434-00	16 - 39	J0G-G6115-00	22 - 3		22 - 43	JR1-H3383-02	34 - 22	J0G-K711E-30	27 - 40	JW6-K7449-00	27 - 19
JW8-F7438-00	16 - 38	JN3-G6153-00	22 - 39	JW8-G6555-00	22 - 17	JN6-H3386-01	34 - 23	J0G-K711E-40	27 - 40		27 - 26
J0G-F7445-10	16 - 33	JW8-G6159-00	21 - 8	JW8-G7339-00	20 - 26	J0G-H351C-01	34 - 50	J0G-K711E-50	27 - 40		27 - 37
J0G-F7814-00	16 - 23	J0G-G6201-02	20 - 1	1D9-G7491-00	10 - 17	2SB-H3591-00	33 - 30	J0G-K7151-00	30 - 19	2P5-K7515-00	29 - 50
JW8-F7814-21	16 - 3	JW8-G6202-23	21 - 1	J0G-G8330-01	23 - 2	J0G-H4105-A0	39 - 6	J0G-K7152-00	29 - 53	J0B-K7529-20	35 - 17
J0G-F7825-00	16 - 28	JW8-G6210-01	20 - 2	JN6-H1100-04	31 - 1	J0G-H4121-A0	39 - 9	J0G-K7155-C0	35 - 12	JU0-K7573-00	26 - 20
J0G-F7850-20	16 - 1	J0G-G6220-02	20 - 3	JN6-H1110-10	31 - 5	J0G-H4167-A0	39 - 7	J0G-K7156-C0	35 - 13	J0G-K7736-10	26 - 46
J0G-F7853-10	16 - 35	J0G-G6231-01	20 - 22	JF2-H1111-00	31 - 19	J0G-H4168-A0	39 - 8	J0G-K7173-C0	35 - 11	JW1-K7741-00	27 - 42
J0G-F7854-00	16 - 5	J0G-G6241-00	20 - 27	JN6-H1113-00	31 - 20	J0G-H4385-01	26 - 31	J0G-K7175-01	26 - 10	J0G-K7762-10	13 - 38
J0G-F7871-01	16 - 36	JW8-G6249-00	20 - 25	JN6-H1119-00	31 - 18	J0G-H4386-01	26 - 32	J0G-K7180-01	29 - 47	J0G-K7762-20	13 - 38
J0G-F7872-00	16 - 37	JW8-G624A-00	20 - 4	J10-H1145-10	31 - 26	J0B-H5546-00	33 - 32	J0G-K7195-00	29 - 17	J0G-K7764-00	29 - 3
J0G-F815H-10	16 - 42	JW8-G624B-00	21 - 5	J10-H1157-10	31 - 2	JW6-H554E-00	34 - 11	J0G-K7200-A1	35 - 1	J0G-K7764-10	29 - 3
JW8-F8323-00	16 - 25	J0G-G6251-02	20 - 6	J10-H1158-10	31 - 3	JW6-H554E-10	34 - 12	J0G-K7200-B1	35 - 1	J0G-K7764-20	29 - 3
JW8-F8331-00	16 - 47	JW8-G6260-23	21 - 2	JN6-H1160-10	31 - 6	JW6-H554E-20	34 - 13	J0G-K7200-C1	35 - 9	J0G-K7766-00	29 - 62
J0G-F8331-A0	38 - 8	JW8-G6270-21	21 - 3	JN6-H1161-00	31 - 29	J0G-H5650-10	33 - 13	J0G-K7200-D1	35 - 9	J0G-K7766-10	29 - 62
	38 - 10	JW8-G6275-10	21 - 11	JN6-H1165-00	31 - 12	J0G-H5720-00	33 - 25	J0G-K7213-00	27 - 9	J0G-K7766-20	29 - 62
JW8-F8363-00	16 - 8	JW8-G6284-10	21 - 6	J10-H1166-10	31 - 13	J0G-H5724-00	33 - 27	J0B-K7217-00	35 - 5	J0G-K7768-30	26 - 48
5UG-F8415-00	29 - 54	J0G-G6290-00	22 - 50	J0G-H1170-00	33 - 4	J0G-H591A-01	33 - 31		35 - 24	J0G-K7768-40	26 - 48

NUMERICAL INDEX

PART NO.	REF. NO.	PART NO.	REF. NO.	PART NO.	REF. NO.	PART NO.	REF. NO.	PART NO.	REF. NO.	PART NO.	REF. NO.
J0G-K7768-50	26 - 48	J0G-K819L-00	28 - 6	J0P-K8384-00	36 - 3	90105-08879	30 - 4	90170-18391	33 - 20	90201-198S7	23 - 12
J0G-K7768-60	26 - 48	J0G-K819M-00	28 - 17	J0P-K8385-00	36 - 6	90105-088A7	11 - 29	90179-05807	34 - 15	90201-208H9	22 - 37
J0G-K810N-00	29 - 4	J0G-K8215-00	28 - 4	J0B-K8388-00	36 - 16	90105-10219	12 - 11	90179-08824	34 - 16	90201-208J0	22 - 38
J0G-K8111-00	27 - 1		28 - 15	J0G-K838A-A0	35 - 8	90105-10272	12 - 16	90179-12262	24 - 1	90202-08204	20 - 15
J0G-K8112-00	27 - 5	J0G-K8216-00	25 - 1		35 - 26	90105-10840	22 - 51		24 - 6	90202-09227	20 - 19
J0G-K8114-00	26 - 35	J0G-K8217-00	26 - 25	J0P-K8399-00	36 - 7	90105-10843	12 - 9	90179-13800	10 - 4	90202-12807	22 - 47
J0G-K8115-00	26 - 1	J0D-K8233-00	26 - 49	J0G-K839J-00	29 - 19	90105-10845	39 - 5	90179-16889	31 - 30	90209-08013	21 - 13
J0G-K8115-10	26 - 1	J0G-K8237-00	27 - 31	J0G-K8401-00	30 - 14	90105-10847	13 - 28	90183-05008	26 - 43	90249-05802	26 - 14
J0G-K8115-20	26 - 1	J0B-K8243-00	26 - 52	J0G-K8411-00	11 - 23	90105-10877	38 - 11		32 - 5	90249-14129	15 - 5
J0G-K8115-30	26 - 1	J0B-K8244-00	26 - 54	J0G-K8426-00	30 - 15	90105-108A9	37 - 8	90183-060A6	26 - 4	90267-36853	11 - 26
J0G-K8115-40	26 - 1	J0G-K8244-00	14 - 13	JW1-K8427-00	30 - 18		37 - 10		26 - 41	90267-489U9	28 - 5
J0G-K8115-50	26 - 1	J0G-K8251-00	28 - 25	J0G-K84A0-A1	36 - 1	90105-13800	10 - 3		27 - 4		28 - 16
J0G-K811V-00	27 - 13	J0G-K8254-00	28 - 26	J0G-K853J-00	29 - 23	90109-06171	29 - 18		27 - 8	90269-06804	10 - 29
J0G-K811W-00	27 - 15	J0G-K8255-00	28 - 29	J0G-K853K-00	29 - 24		29 - 34		27 - 12		26 - 3
J0G-K8141-00	27 - 10	J0G-K8258-00	28 - 30	J0G-K853L-00	29 - 25	90109-06330	26 - 7		27 - 18		28 - 7
J0G-K814A-00	26 - 56	J0G-K8259-00	11 - 27	J0G-K8562-00	26 - 18		26 - 28		27 - 25		28 - 18
J0G-K814M-00	29 - 48	J0G-K825A-00	11 - 22	J0G-K8563-00	26 - 19	90109-08827	33 - 6		27 - 33		28 - 28
J0G-K8153-00	26 - 16	J0G-K825E-00	10 - 25	J0G-K8579-00	29 - 32	90111-05805	26 - 42		28 - 11		28 - 32
J0G-K815G-00	26 - 9	J0G-K825F-00	10 - 26	F3Y-U2875-00	26 - 13	90111-06116	27 - 3		28 - 22		28 - 37
JJ3-K815H-01	11 - 35	J0G-K825G-00	10 - 27	J0G-U411C-00	28 - 1		27 - 7		32 - 10		28 - 39
J0G-K8167-00	14 - 28	J0G-K825H-00	28 - 33	JN9-W2536-11	17 - 7		27 - 11	90185-10011	12 - 10		28 - 42
	14 - 32	J0G-K825J-00	28 - 34		17 - 20		27 - 21	90185-10060	9 - 1		36 - 14
JU5-K8167-01	29 - 56	J0G-K825K-00	28 - 35		18 - 3		27 - 28	90185-12002	10 - 16	90269-07805	26 - 26
J0G-K817H-A0	36 - 11	J0G-K825M-00	30 - 9		18 - 14		27 - 32	90185-12008	13 - 7		26 - 45
J0G-K817J-A0	36 - 12	J0G-K825N-00	30 - 10	90101-08856	22 - 52		28 - 10	90185-12810	12 - 21		26 - 47
J0G-K817K-00	27 - 46	J0G-K8270-00	28 - 2	90105-05644	20 - 13		28 - 21	90185-12811	10 - 8		26 - 53
J0G-K817L-00	27 - 47	J0B-K8273-10	26 - 51		20 - 17		29 - 28		13 - 9		26 - 55
J0G-K817P-10	28 - 27	J0B-K8282-00	26 - 38	90105-06831	10 - 30		30 - 16	90201-04810	13 - 35		27 - 2
J0G-K817R-00	28 - 31	J0G-K8297-00	27 - 44		11 - 25	90111-06173	29 - 11	90201-05800	26 - 23		27 - 6
J0G-K817S-00	28 - 36	J0G-K8297-10	27 - 44		14 - 31		29 - 38	90201-06033	6 - 13		27 - 14
J0G-K817T-00	10 - 28		27 - 45		14 - 35	90111-06838	29 - 7	90201-06078	27 - 23		27 - 16
J0G-K818A-01	28 - 3	J0G-K8297-20	27 - 44		23 - 18	90113-05800	4 - 12		27 - 30		27 - 36
J0G-K818B-01	28 - 14	J0G-K8297-30	27 - 44		34 - 17	90114-12805	12 - 24	90201-06863	10 - 31		28 - 8
J0G-K818E-00	28 - 12	J0P-K8305-00	36 - 13	90105-06832	11 - 33	90119-06137	20 - 23	90201-086P8	7 - 7		28 - 19
J0G-K818F-00	28 - 23	J0G-K8312-A0	36 - 2	90105-06870	34 - 30	90119-06147	26 - 5	90201-08843	11 - 31		29 - 41
JJ3-K818M-00	29 - 52	J0G-K8313-A0	36 - 4	90105-08171	11 - 34		26 - 40	90201-107G8	9 - 2		29 - 44
J0G-K818N-00	29 - 27	J0G-K8314-A0	36 - 15	90105-081A7	17 - 3		27 - 20	90201-121H8	17 - 16		29 - 46
J0G-K8193-10	28 - 38	J0G-K831A-A0	36 - 5	90105-08260	21 - 14		27 - 27		17 - 29	90269-07809	28 - 40
	28 - 41	J0G-K8323-00	11 - 24	90105-08859	22 - 53		27 - 34		18 - 12		28 - 43
J0G-K819E-00	26 - 12	J0P-K832F-00	36 - 9	90105-08867	11 - 5		32 - 11		18 - 23	90269-08001	26 - 36
J0G-K819E-10	26 - 12	J0P-K832G-00	36 - 10		11 - 14	90119-06868	34 - 43	90201-121H9	17 - 17	90269-09003	26 - 50
J0G-K819E-20	26 - 12	J0G-K832H-01	26 - 57		11 - 19		34 - 51		17 - 30		28 - 9
J0G-K819E-30	26 - 12	J0G-K833H-01	26 - 58		11 - 21	90119-10044	10 - 5		18 - 11		28 - 20
J0G-K819E-40	26 - 12	J0G-K8357-00	13 - 32		12 - 1	90149-06846	29 - 13		18 - 22	90269-10001	5 - 14
J0G-K819E-50	26 - 12	J0B-K8358-00	13 - 33		14 - 5	90164-05800	26 - 22	90201-128S4	10 - 9	90280-04801	33 - 22
J0G-K819F-00	27 - 17	J0G-K835E-00	26 - 39		28 - 13	90170-05806	4 - 10	90201-16023	12 - 27	90338-12800	26 - 6
J0G-K819G-00	27 - 24	J0G-K8365-01	29 - 5		28 - 24	90170-08242	7 - 15	90201-178H8	22 - 49	90340-12097	8 - 5
J0G-K819H-00	27 - 35	J0P-K837E-00	36 - 8		34 - 34	90170-10840	22 - 31	90201-18803	33 - 21	90381-17800	12 - 13

NUMERICAL INDEX

PART NO.	REF. NO.	PART NO.	REF. NO.	PART NO.	REF. NO.	PART NO.	REF. NO.	PART NO.	REF. NO.	PART NO.	REF. NO.
90381-18802	12 - 3	91490-30030	22 - 54	93900-00801	24 - 5	95812-06025	6 - 7	99530-08016	8 - 7		
90386-08002	20 - 11	91609-50032	20 - 9		24 - 10	95812-08012	10 - 23	99530-14016	2 - 5		
90386-08141	19 - 3	91702-05010	6 - 14		24 - 14	95812-08020	13 - 2				
90386-09001	20 - 21	91702-05014	16 - 52		24 - 18		16 - 50				
90386-12800	16 - 27	91702-06014	23 - 7		24 - 22	95812-08040	11 - 3				
90387-060G7	5 - 8	91702-08018	15 - 12	94702-00819	2 - 7	95812-08045	8 - 13				
90387-066J1	14 - 24	91702-10022	15 - 2	95302-06600	19 - 2	95812-08055	11 - 15				
	14 - 26	92012-06035	33 - 8		33 - 9	95812-08070	29 - 60				
90387-10120	12 - 12	92014-10020	29 - 29	95302-06800	14 - 11	95812-10055	11 - 11				
90387-12016	12 - 18	92902-04100	23 - 15	95302-08700	14 - 29	95812-10070	2 - 4				
90445-08848	6 - 5	92902-04600	23 - 16		14 - 33	95812-12030	33 - 3				
90450-38003	7 - 11	92902-05600	34 - 21		15 - 7	95812-12055	10 - 15				
90461-14108	34 - 28	92902-06200	34 - 6	9530N-06600	31 - 8	95812-12065	10 - 7				
90462-05061	2 - 13	92902-06600	23 - 8		31 - 15	95812-12080	12 - 20				
90464-09823	34 - 29	92902-08600	7 - 18	95602-05200	20 - 14	95817-06016	30 - 13				
90464-18246	14 - 22		13 - 31		20 - 18	95817-08012	7 - 13				
90464-19815	34 - 33	92902-10100	10 - 12	95602-06200	19 - 6	95822-06012	25 - 2				
90464-20005	34 - 31	92902-10600	10 - 13	95602-08100	23 - 1		25 - 3				
90464-40825	14 - 16	92902-12200	13 - 8	95602-08200	7 - 16		33 - 26				
	23 - 21	92907-05200	26 - 24		11 - 16		34 - 2				
	34 - 32		26 - 30		11 - 30	95822-06016	33 - 16				
90465-06038	23 - 20		32 - 8		17 - 4		33 - 19				
90467-089U1	22 - 60	92907-06100	31 - 10		29 - 31		34 - 37				
90468-10049	6 - 16		31 - 17		29 - 55	95822-06030	2 - 12				
	16 - 53	9290N-06600	31 - 9		29 - 57	95822-08016	29 - 51				
90468-20196	15 - 3		31 - 16		29 - 61	95822-08020	33 - 5				
90480-01400	14 - 25		31 - 27		38 - 4		33 - 11				
90480-01558	26 - 8	92A08-05308	20 - 24	95602-08710	2 - 15	97012-06020	16 - 7				
90480-18016	14 - 23	93101-31836	22 - 22	95602-10200	10 - 20	97012-08030	13 - 30				
90480-19368	33 - 15	93102-25868	22 - 24		11 - 12	97012-10020	10 - 11				
90501-08614	32 - 3	93102-35807	8 - 3		29 - 36	97022-08025	7 - 17				
90501-264A9	4 - 5		8 - 10	95602-16100	12 - 28	97702-50014	26 - 11				
90506-14001	17 - 13	93104-11829	22 - 23	95607-06200	16 - 6	97702-60420	5 - 4				
	17 - 26	93109-10820	22 - 25	95612-06100	27 - 22	97707-60130	29 - 40				
	18 - 8	93210-15803	33 - 29		27 - 29	98502-03530	32 - 2				
	18 - 19	93210-22298	12 - 5	95622-08618	2 - 6	98502-04016	23 - 14				
90506-16451	29 - 49	93210-22805	8 - 15	95702-06500	34 - 7	98502-05020	6 - 4				
90506-20281	17 - 12	93305-20511	12 - 25		34 - 38	98502-05025	34 - 20				
	17 - 25	93306-005Y1	22 - 20	95702-08500	6 - 11	9850N-04010	31 - 23				
	18 - 7	93306-207Y2	8 - 9		33 - 7	9850N-05016	31 - 22				
	18 - 18	93306-252YK	8 - 4	95802-06016	5 - 12	9850N-05018	31 - 31				
90508-16460	16 - 54		8 - 11		6 - 12	98902-05014	26 - 17				
90508-40021	19 - 4	93306-303Y6	22 - 19	95802-06020	5 - 2	98902-05016	32 - 6				
90508-40813	37 - 11	93306-307Y3	8 - 2		5 - 9	99001-07600	6 - 18				
90560-05001	16 - 55	93410-12822	22 - 35	95802-06030	14 - 27	99002-03600	26 - 15				
91317-08035	7 - 6	93420-52806	22 - 2	95802-10050	29 - 35	99002-09600	15 - 11				
91402-20012	23 - 9	93450-22840	3 - 5	95812-06016	29 - 16	99009-19400	23 - 13				
91490-25020	15 - 13	93606-10842	22 - 46		29 - 33	99009-52500	12 - 26				