

## **Assembly & Operations Manual Armory SST Gun Case**

Patent Pending



### **Assembly information:**

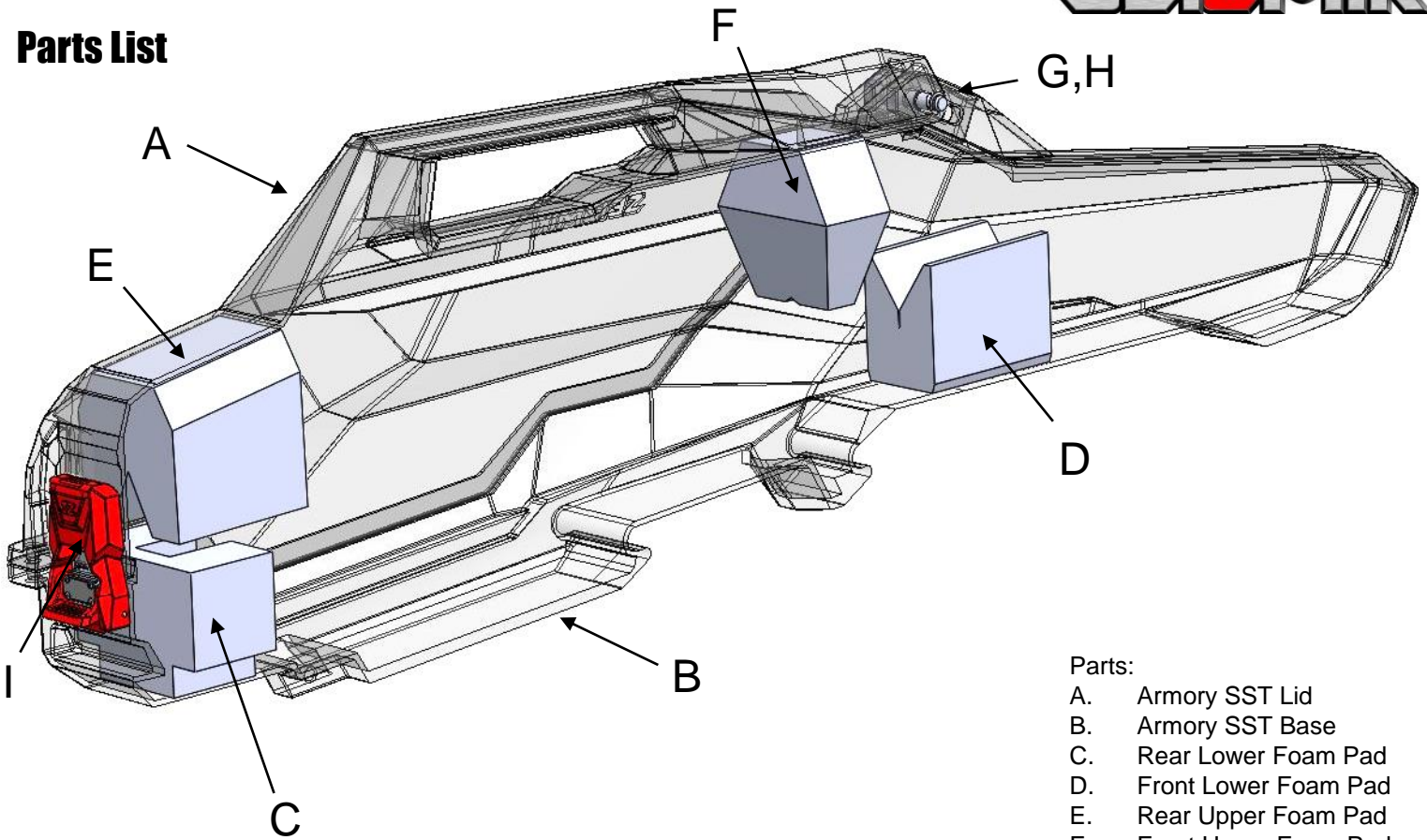
- This product has an installation rating of: **Easy**
- Approximate Assembly time: **10 Minutes**

Seizmik makes Windshields, Doors, Tops, Hood Racks, Brush Guards, and other great accessories for utility vehicles & side x sides. Our products are engineered tough for long life and tested under the harshest of conditions.

Always observe the warnings and precautions in this manual when using your Seizmik products. For best results, carefully follow the instructions in this manual and make no modifications.

Seizmik products are designed, developed and manufactured by Vialink Corp. If you have any questions, comments, need assistance, or are missing parts, please call 1-866-838-3366 between 9:00AM and 5:00PM EST. You can email us at [support@seizmik.com](mailto:support@seizmik.com)

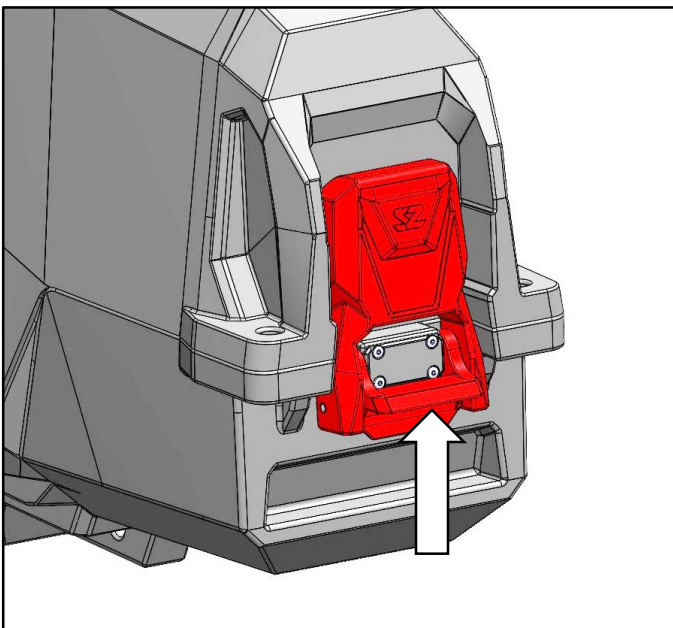
## Parts List



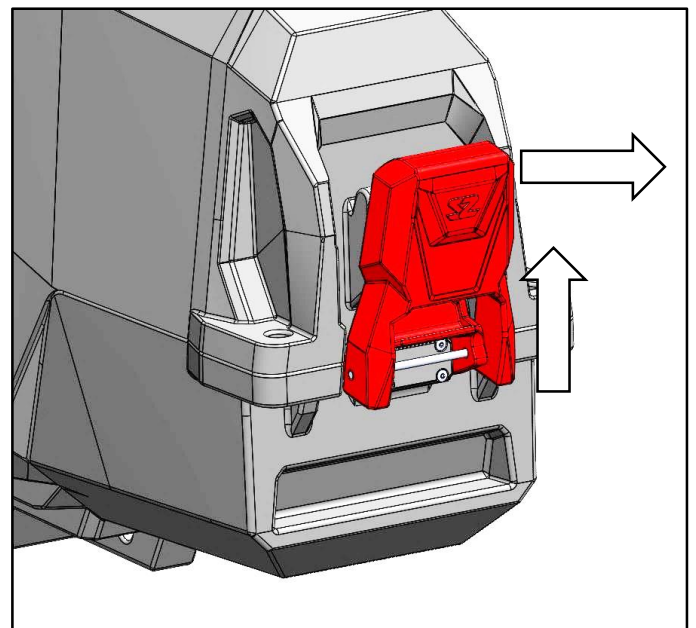
### Parts:

- A. Armory SST Lid
- B. Armory SST Base
- C. Rear Lower Foam Pad
- D. Front Lower Foam Pad
- E. Rear Upper Foam Pad
- F. Front Upper Foam Pad
- G. Hinge Pin
- H. Hinge Spring Clips
- I. Rear Latch Assembly

## Latch Operation

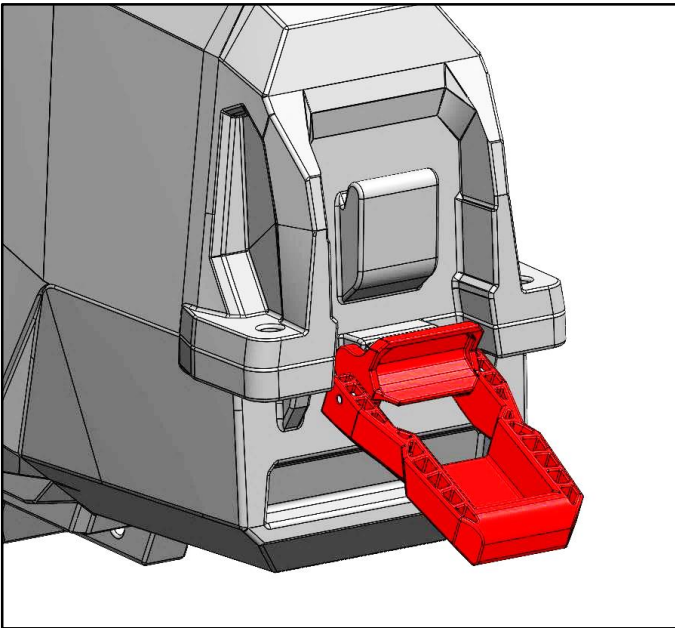


1. Using the flap on the lever portion of the latch, lift up and release pressure on the lid.

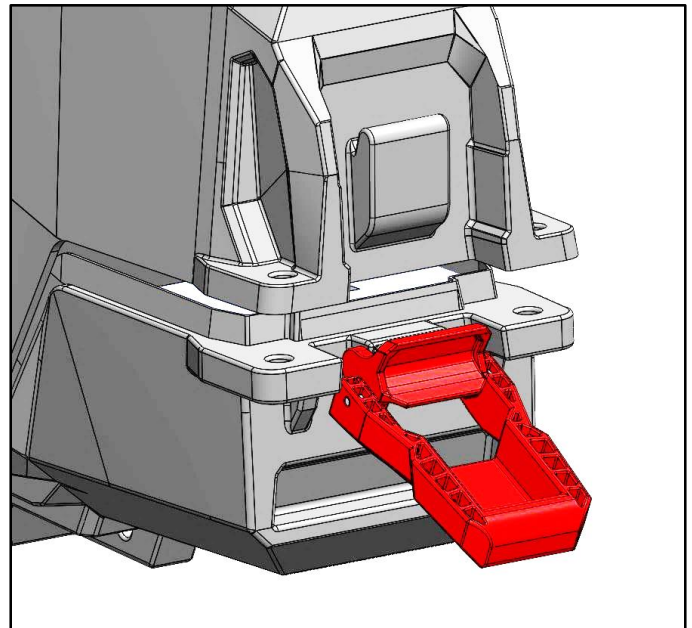


2. Lift latch up and over hook on the lid.

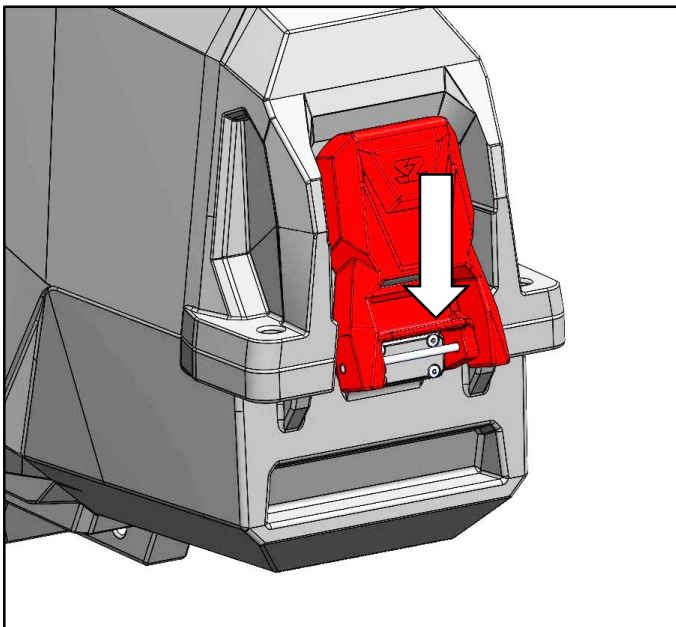
## Latch Operation



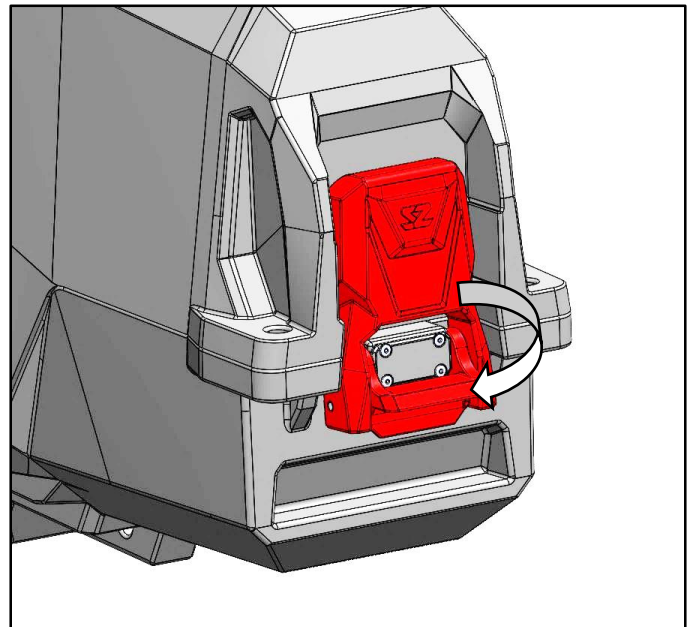
3. Flip rear latch down away from the hook on the lid.



4. Open Lid

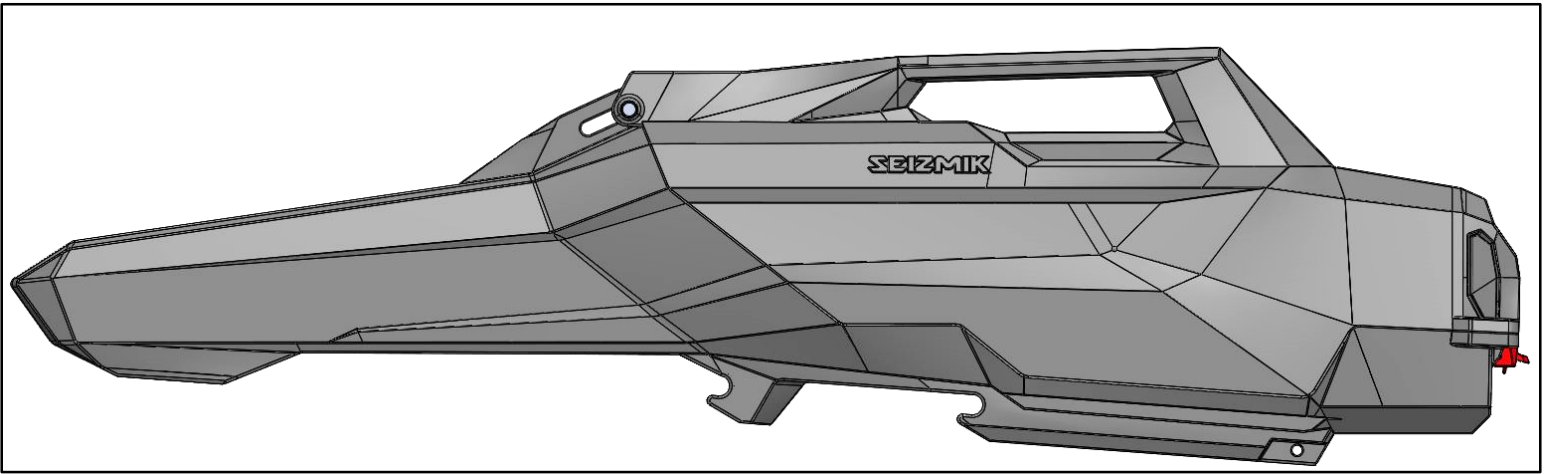


5. To close the lid, Place top of latch over the hook on the lid as shown.

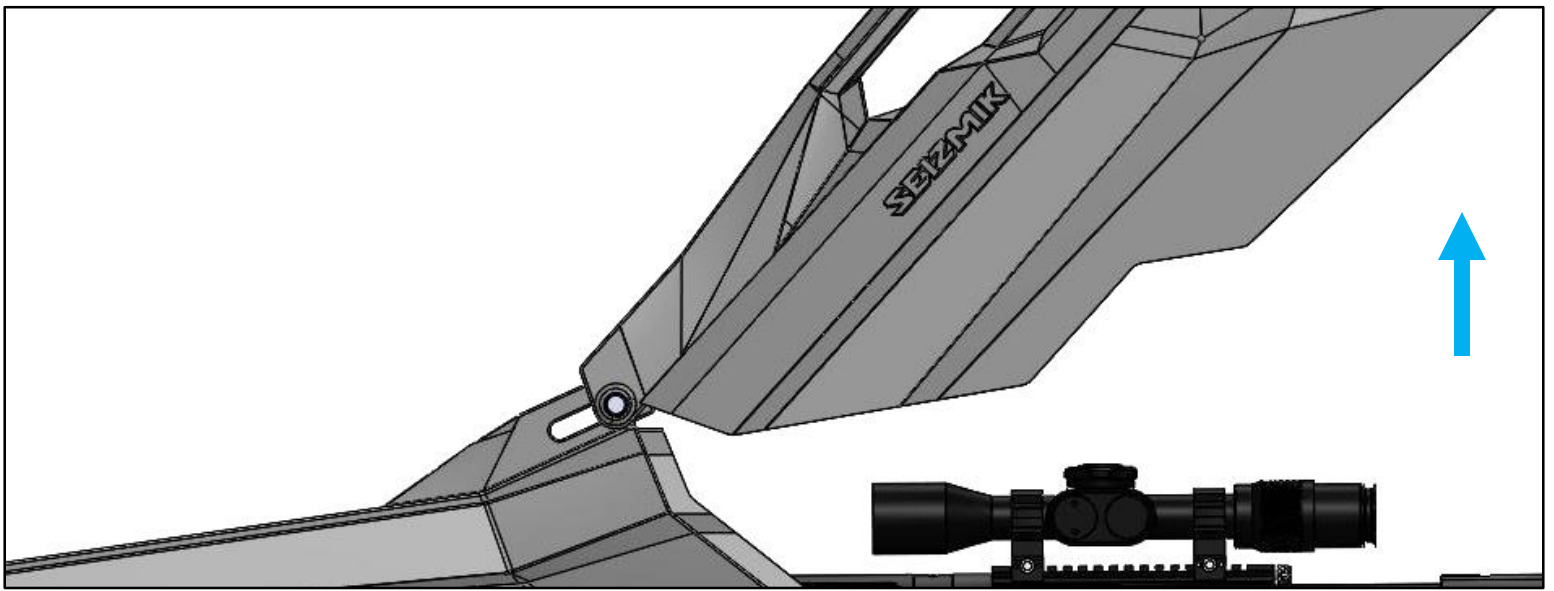


6. Using the additional flap on the lever portion of the latch, push the bottom lever down until the latch snaps into place.

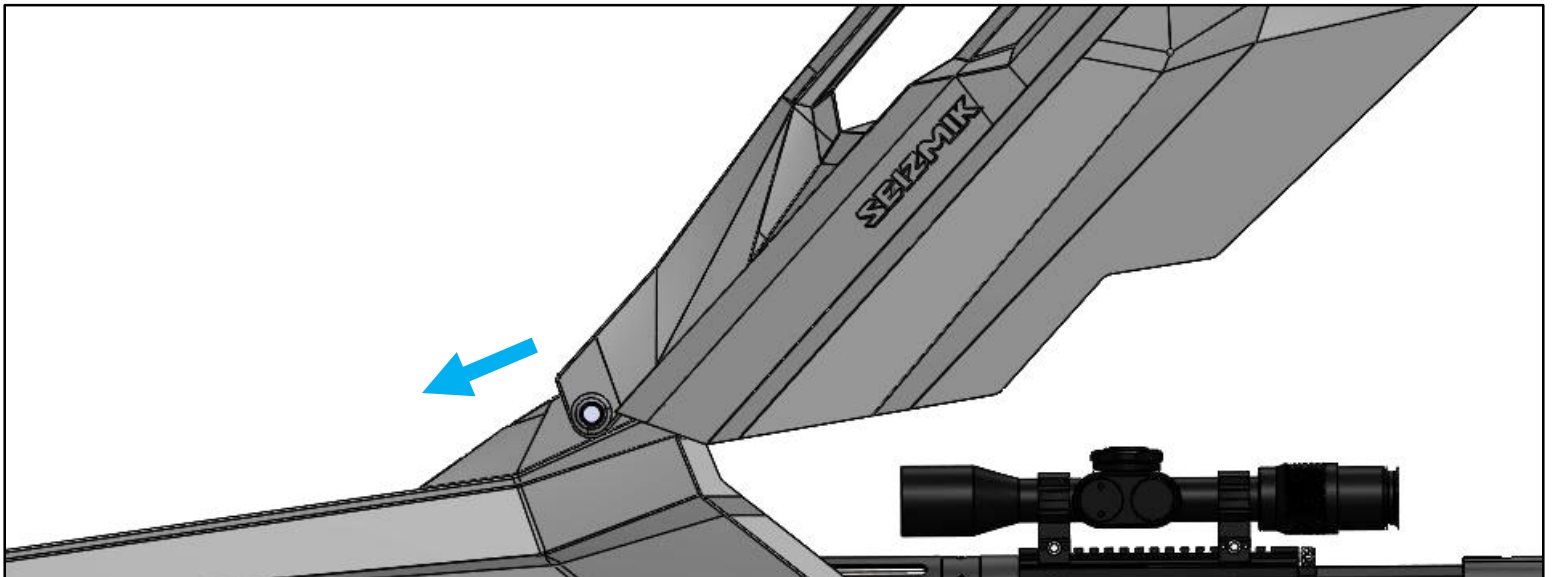
## Lid Operation



7. Shown above is the case in the closed position.

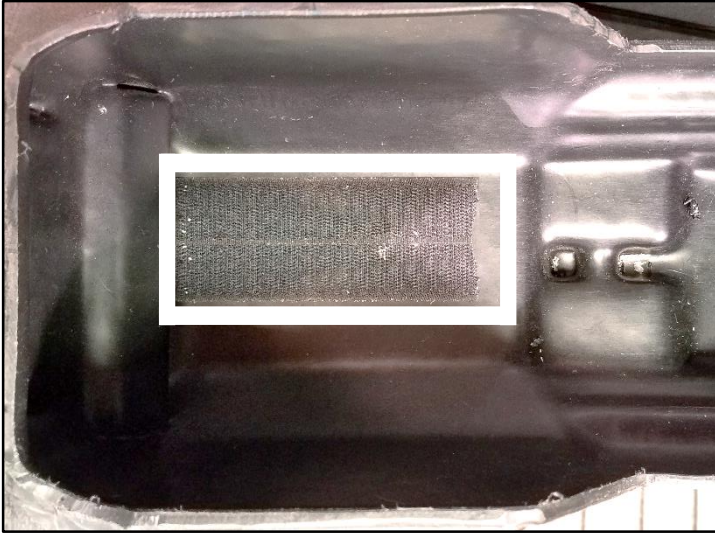


8. Lift lid upwards fully.



9. Slide lid forward in slot. The lid will now stay open for placement of gun and other equipment. To close, slide lid backwards and shut.

## Velcro Installation



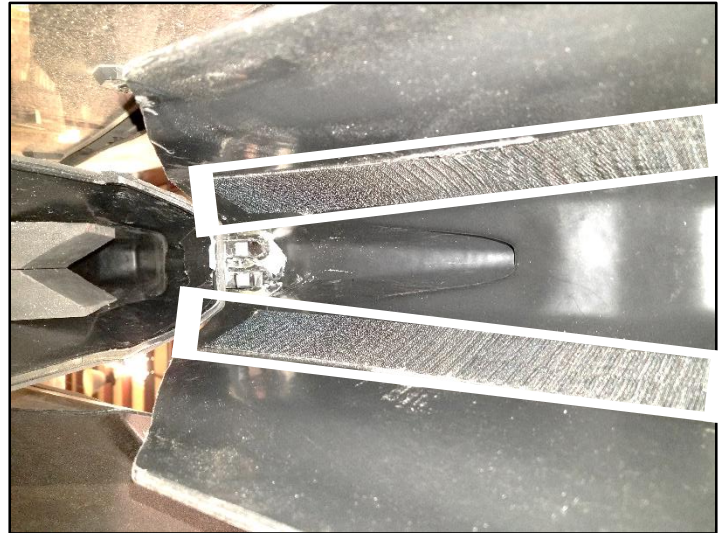
10. Start by cleaning the inside of the rear of the Base with alcohol or degreaser. Cut a 4" long piece of adhesive backed 2" wide Velcro and apply it to the area shown. This Velcro is used to secure the Rear Lower Foam Pad (C).



11. Clean the inside of the Base in front of the forward most hook with alcohol or degreaser. Cut a 11" long piece of adhesive backed 2" wide Velcro and apply it to the area shown. This Velcro is used to secure the Front Lower Foam Pad (D).



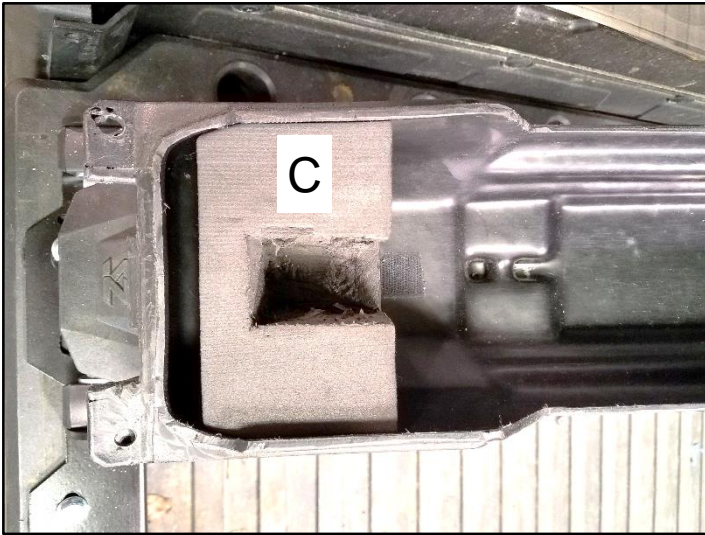
12. Clean the inside of the most rearward portion of the lid with alcohol or degreaser. Cut a 5" long piece of adhesive backed 2" wide Velcro and apply it to the area shown. This Velcro is used to secure the Rear Upper Foam Pad (E).



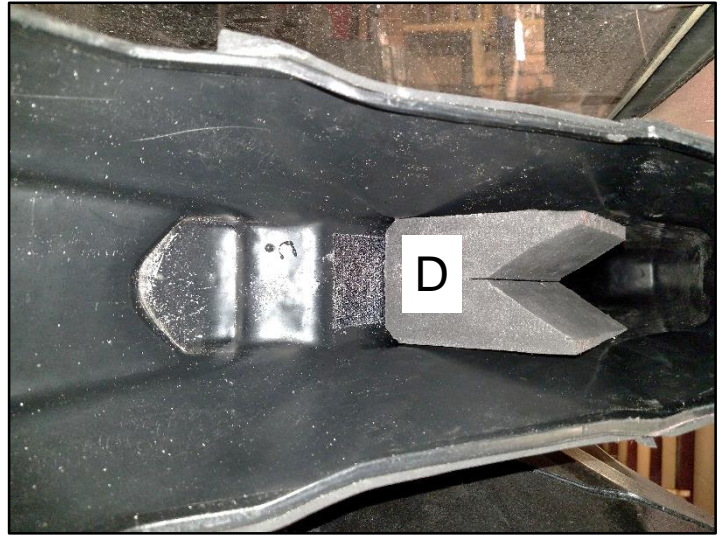
13. Clean the inside of the Lid along the sides in the area shown. with alcohol or degreaser. Cut two 15" long piece of adhesive backed 2" wide Velcro and apply it to the area shown. This Velcro is used to secure the Front Upper Foam Pad (F).

## Foam Pad Location

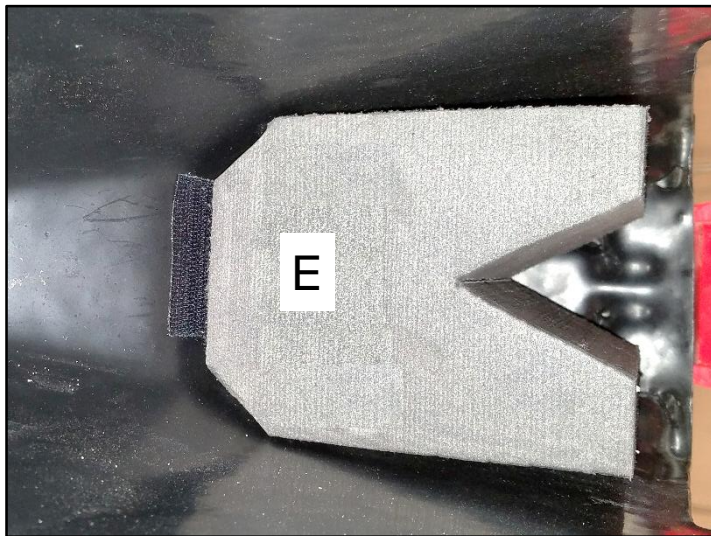
**NOTE:** The Velcro locations will work for most guns, however they can be placed differently to better fit a specific gun. The pads have Velcro on them so that they can be adjusted to fit a wide variety of guns depending on the application and accessories on the weapon itself.



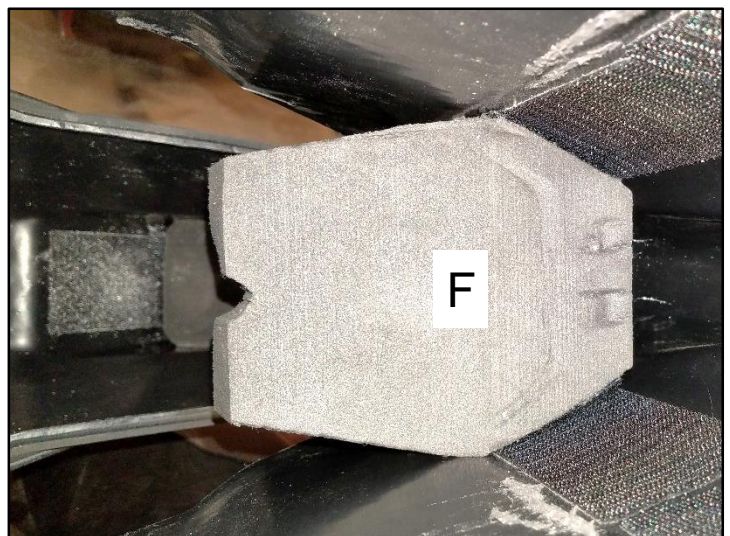
14. Rear Lower Foam Pad (C).



15. Front Lower Foam Pad (D).



16. Rear Upper Foam Pad (E).



17. Front Upper Foam Pad (F).

18. The Foam Pad locations are shown below. Adjust the Front Foam Pads (D & F) forward or back to best fit your specific gun. The Front Upper Foam Pad (F) should be located in front of the scope (when applicable) and give some downward compression on the barrel or sight rail to help isolate the gun from moving around during transit.

