

MADJAX

Part # 14-017 Armor Bumper

will fit Yamaha® Drive®
and Havoc Body Kit



ITEMS INCLUDED

- Armor Bumper
- Upper Light Bar Mount
- Mounting Bracket
- Adapter Bracket
- Light Bar Mounting Tabs
- Hardware Pack

TOOLS NEEDED

- 10mm Socket
- 17mm Wrench
- 17mm Socket



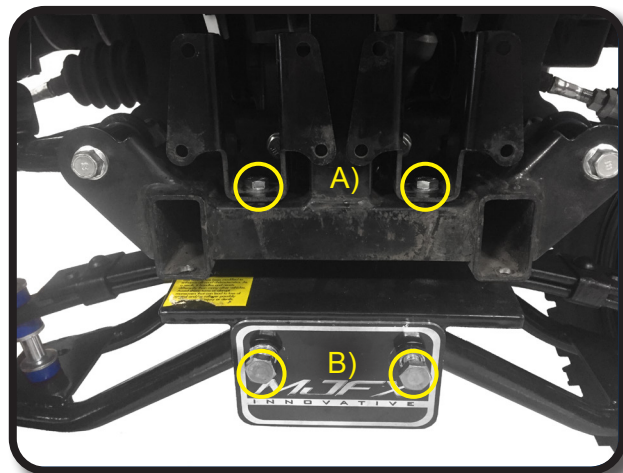
For 6" A-Arm Lift Kits, follow steps 1-5:

STEP 1

A) Remove OEM Bumper and Bumper mounts using a 10mm Socket, retain hardware.

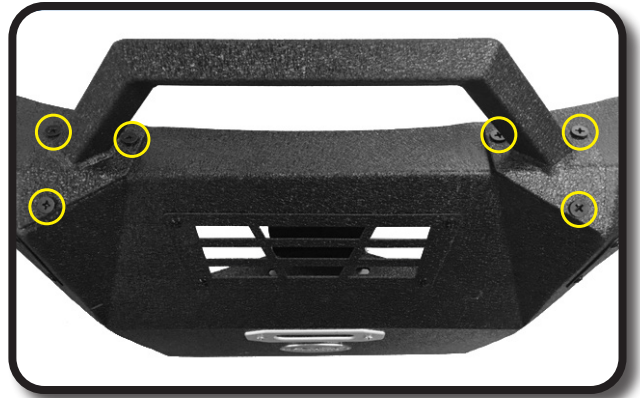
B) Loosen lower A-Arm bolts using 17mm wrench and socket. Do NOT remove, loosen enough to accommodate front bumper mounting bracket.

**If you are installing light bars or a winch, do so now.
(Skip to the last two pages of the instructions)**



STEP 2

Using supplied screws, attach upper light bar mount to bumper as shown.

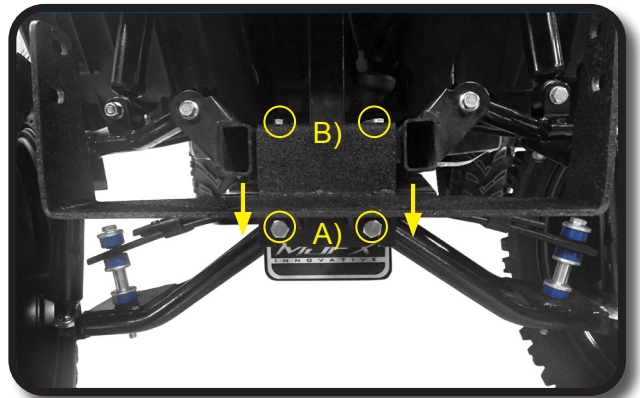


STEP 3

A) Slide Bumper mount behind lower A-arm bolt head.

B) Using hardware retained from OEM bumper mount in step 1, secure mount to frame.

Tighten all hardware.



STEP 4

Mount bumper to mounting bracket using hardware pack #1, 10mm x 25mm bolts, washers, and nuts.



STEP 5

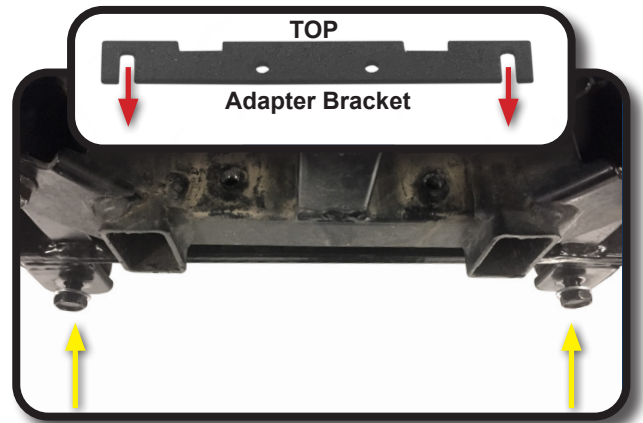
Adjust / level elevation for body clearance using slotted holes in bumper and mount from step 4.



For Drop Frame Lift Kit install, see the following steps:

STEP 6

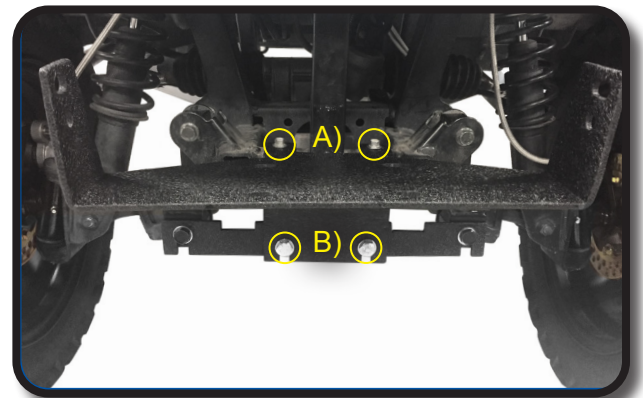
If you are installing this on a drop frame lift kit, loosen the front two A-Arm bolts enough to slide drop frame adapter into place. Then retighten bolts.



STEP 7

A) Attach bumper mount as shown using hardware retained from OEM bumper mounts in Step 1, secure mount to frame.

B) Attach bumper mount to adapter using (2) 10x25mm bolts and tighten all hardware.



STEP 8

Mount bumper to mounting bracket using hardware pack #1, 10mm x 25mm bolts, washers, and nuts.



STEP 9

Adjust / level elevation for body clearance using slotted holes in bumper and mount from step 8.



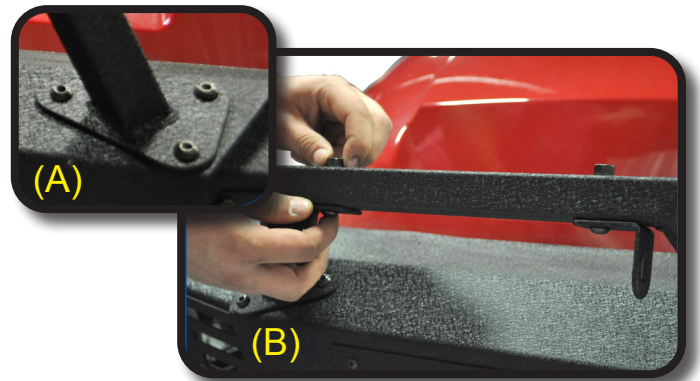
11" LED Bar Installation

STEP 1

Part# 02-025

(A) Attach upper bar to bumper using six 8mm x 20mm Allen Head Bolts.

(B) Mount tabs to rail of bumper in the pre drilled holes as shown, using the two 8mm x 40mm Allen Head bolts and hardware.



STEP 2

Make adjustments to tabs for the light bar to fit inside of and tighten brackets.



STEP 3

Attach light bar using supplied hardware in LED kit.

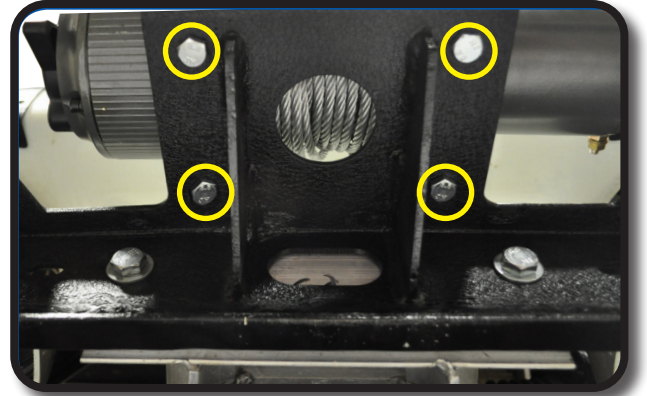
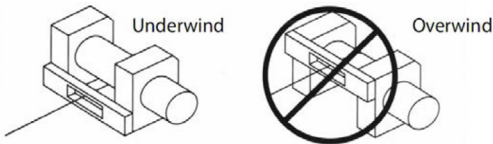


Winch and 4" LED Bar Installation

A Part# 03-033

Attach MJFX Winch using Hardware provided with Winch Kit.

NOTE: Winch line should be mounted with line in the underwind direction.



B Part# 02-024

Attach 4" LED Bar to bumper. Loosen nut on 4" LED, and then tighten to secure LED to bumper. (A)

NOTE: To adjust LED position, loosen the highlighted bolt and re-tighten at desired location. (B)



INSTALLATION COMPLETE

HARDWARE PACK

Dacroment Coated

6 - 10mm x 25mm Hex Head Bolts

12 - 10mm Flat washers

6 - 10mm Nylocknuts

2 - 8mm x 40mm Allen Head Bolts

6 - 8mm x 20mm Allen Head Bolts

2 - 8mm Flat Washers

2 - 8mm Locknuts