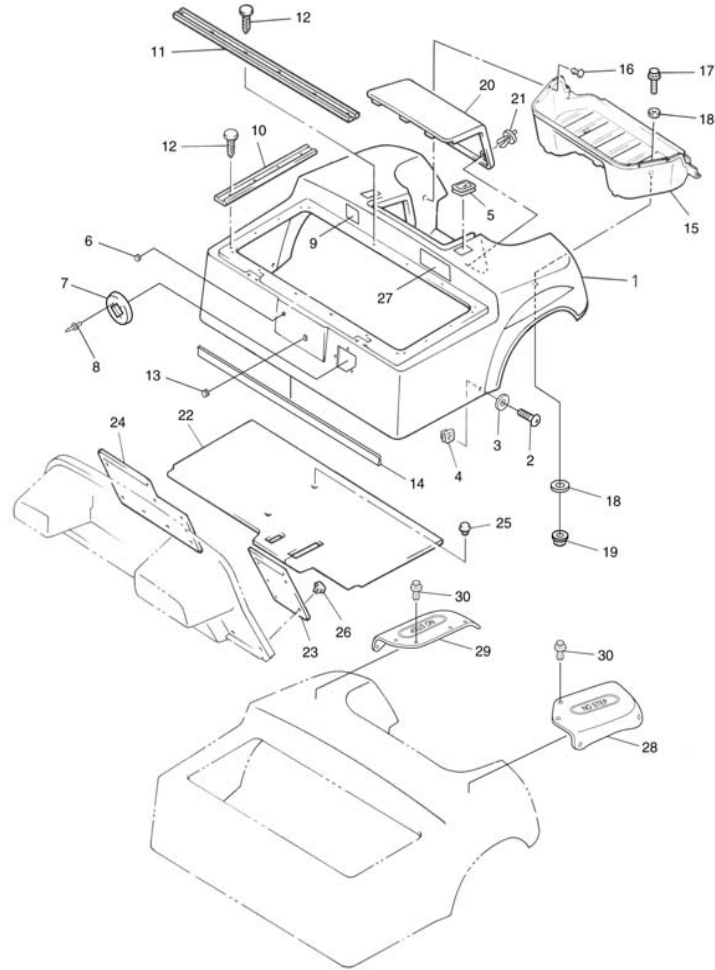


FIG. 13 BODY 2



JU2100-5130

REF NO.	PART NUMBER	DESCRIPTION	QTY	REMARKS
1	JN6-K8142-02-00	PANEL, REAR BODY	1	IVORY SEE NOTE "A"
	JU0-K8142-32-00	PANEL, REAR BODY	1	BURGUNDY SEE NOTE "A"
	JU0-K8142-52-00	PANEL, REAR BODY	1	HUNTER GREEN SEE NOTE "A"
	JU0-K8142-62-00	PANEL, REAR BODY	1	CANDY APPLE RED METALLIC SEE NOTE "A"
	JU0-K8142-72-00	PANEL, REAR BODY	1	BRILLIANT BLUE METALLIC SEE NOTE "A"
2	90110-06837-00	BOLT, HEX. SOCKET	2	
3	90201-068H0-00	WASHER, PLAIN	2	
4	90183-06811-00	NUT, SPRING	2	
5	JN3-K8363-00-00	PROTECTOR	2	
6	JR1-K8139-00-00	CAP, END	1	
7	JN4-K827A-00-00	GUIDE, 1	1	
8	90267-60840-00	RIVET, BLIND	3	
9	JU2-K7765-00-00	LABEL, WARNING 5	1	SEE NOTE "A"
10	JN3-K8425-00-00	SEAL, SEAT	2	
11	JN3-K842A-00-00	SEAL, SEAT 2	2	
12	90338-05834-00	PLUG	20	
13	90338-25836-00	PLUG	1	
14	JN6-K824E-00-00	TRIM, REAR BODY 1	1	
15	JF2-K8237-00-00	COVER, REAR FLOOR	1	
16	90269-08813-00	RIVET	7	
17	90101-06876-00	BOLT, HEX. W/WASHER	2	
18	90201-068G7-00	WASHER, PLAIN	4	
19	90185-06836-00	NUT, SELF-LOCK	2	
20	JU0-K8151-00-00	PANEL, INSPECTION LID OUTER	1	