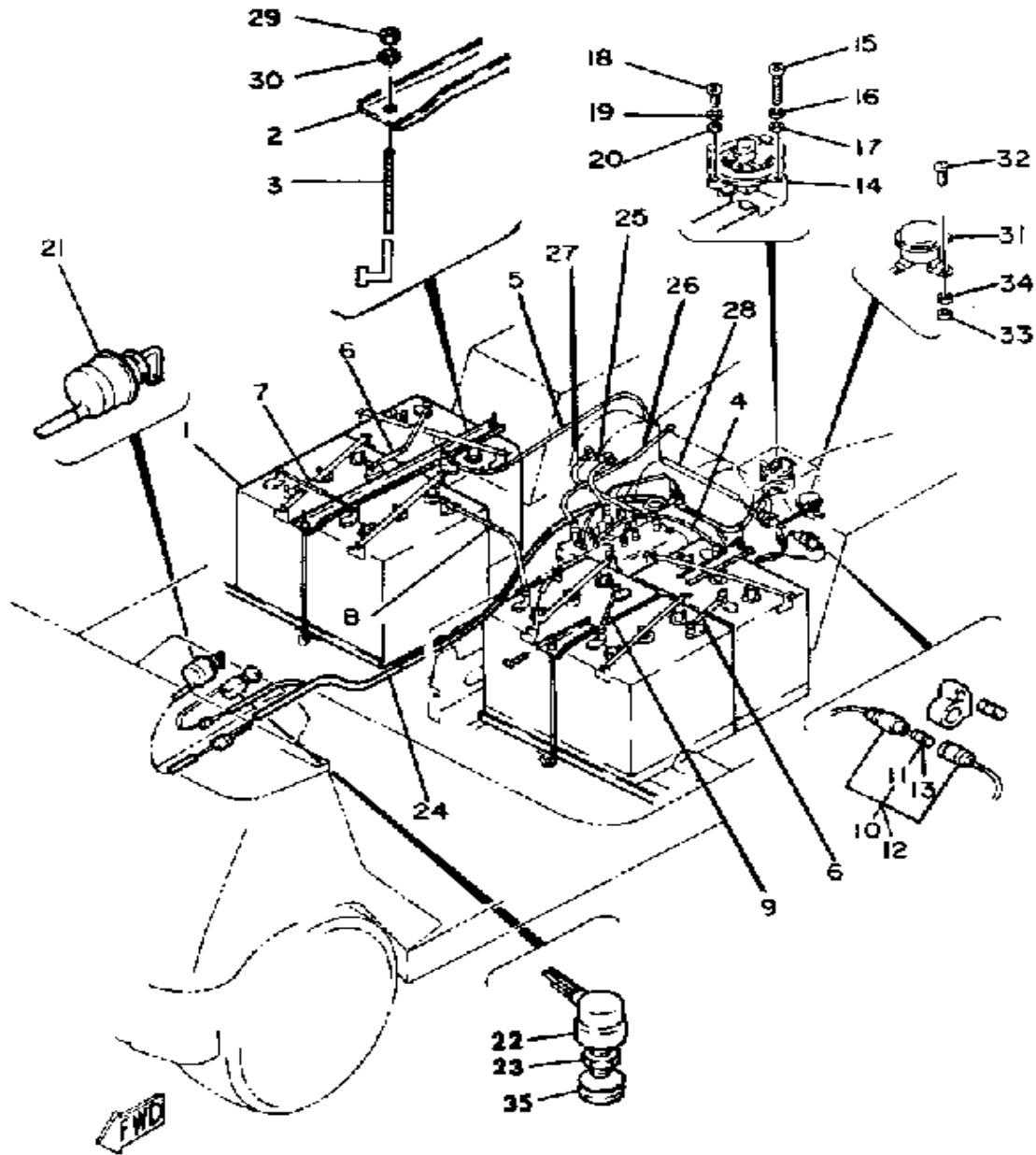


ELECTRICAL 2



Ref. No.	Part Number	Description	Qty	Remarks
1	*---	FRONT WHEEL ASSEMBLY ..	6	
2	J14-82136-00-00	PLATE, BATT FITTING	2	
3	J14-82133-01-00	SCREW, FITTING	4	
4	J14-82531-00-00	WIRE, LEAD	1	
5	J56-H2116-00-00	WIRE, MINUS LEAD (J14-82116-00)	1	
6	J56-H2117-00-00	WIRE, LEAD	2	
7	J56-H2127-00-00	WIRE, LEAD 2	1	
8	J56-H2149-00-00	WIRE, LEAD 3	1	
9	J56-H2127-00-00	WIRE, LEAD 2	1	
10	1E6-82150-00-00	FUSE HOLDER ASSEMBLY ...	1	
11	1E6-82151-00-00	. FUSE (10A)	2	
12	1E6-82150-00-00	FUSE HOLDER ASSEMBLY ...	1	
13	1E6-82151-00-00	. FUSE (10A)	2	
14	JF3-86181-00-00	RECEPTACLE	1	
15	98506-05035-00	SCREW, PAN HEAD	2	
16	92906-05100-00	WASHER, SPRING	2	
17	92906-05600-00	WASHER, PLATE	2	
18	98586-05016-00	SCREW, PAN HEAD	2	
19	92906-05100-00	WASHER, SPRING	2	
20	92906-05600-00	WASHER, PLATE	2	
21	J22-82508-00-00	MAIN SWITCH ASSEMBLY (J14-82508-00)	1	
22	J10-82530-02-00	STOP SWITCH ASSEMBLY ...	1	
23	95303-10700-00	NUT	1	
24	J14-82590-01-00	WIRE HARNESS ASSEMBLY ..	1	
25	J14-82521-00-00	WIRE, LEAD	1	
26	J14-82531-00-00	WIRE, LEAD	1	
27	J56-H2117-00-00	WIRE, LEAD	1	

CONTINUED ON NEXT FRAME ►

