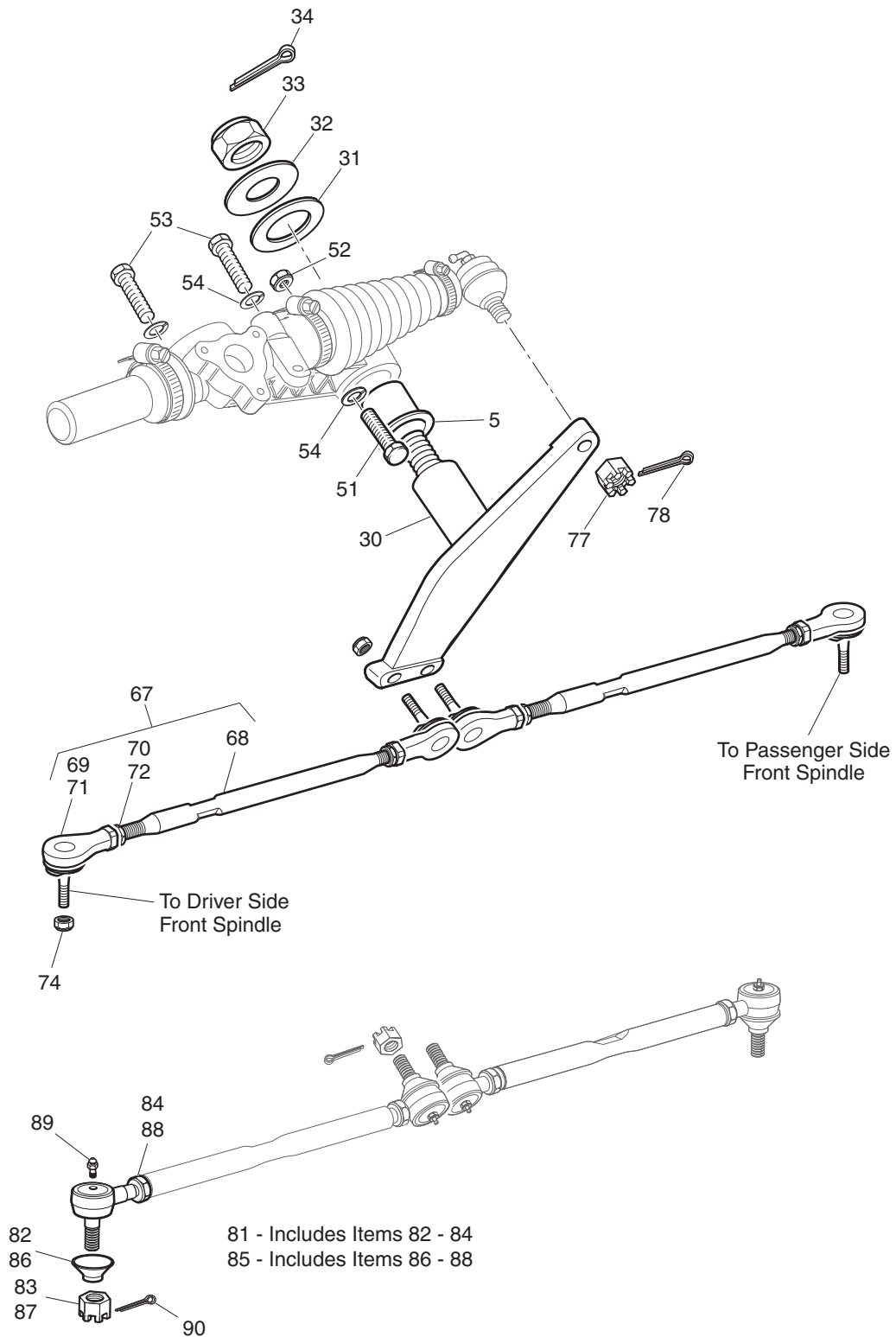


IDLER, TIE RODS AND MOUNTING



Ref Str 9-2

STEERING

THE USE OF NON U.L. PARTS WILL VOID ANY U.L. LISTING.

When ordering parts, please specify the model and serial number of the product.

* Indicates a component that is not available as an individual part.

G** Indicates consult Customer Service Department for additional information.

ITEM	PART NO.	1 2 3 4 5	DESCRIPTION	QTY.
1	70723-G02		STEERING BOX ASSEMBLY (COMPLETE) (INCLUDES ITEMS 2 - 34)	1
2	75364-G01		STEERING HOUSING (INCLUDES ITEMS 3 - 6)	1
3	*		SLEEVE BEARING	1
4	*		SLEEVE BEARING	1
5	*		FLANGED BEARING	1
6	10389-G3		GREASE FITTING, STRAIGHT	1
7				
8	00426-G6		BOLT, 3/8 - 16 X 3/4" LG	2
9	18456-G1		GREASE FITTING, 90°	1
10	70177-G01		RACK GUIDE COVER	1
11	70225-G01		GASKET	1
12	70178-G01		COMPRESSION SPRING	1
13	70179-G01		RACK GUIDE	1
14	11391-G1		HOSE CLAMP, 1 5/16"	1
15	70041-G01		RACK COVER	1
16	11391-G1		HOSE CLAMP, 1 5/16"	1
17	70183-G01		BELLOWS	1
18	11391-G5		HOSE CLAMP, 13/16"	1
19				
20	70724-G01		STEERING GEAR KIT (INCLUDES ITEMS 21 - 28)	1
21	70717-G01		GEAR PINION	1
22	15112-G1		BALL BEARING	1
23	70190-G01		EXTERNAL RETAINING RING	1
24	70718-G01		STEERING RACK	1
25	70192-G01		RACK BALL END	1
26	00544-G8		JAM NUT, 7/16 - 20	1
27	18456-G1		GREASE FITTING, 90°	1
28	70466-G01		RETAINER	1
29				
30	70184-G01		IDLER	1

STEERING

THE USE OF NON U.L. PARTS WILL VOID ANY U.L. LISTING.

When ordering parts, please specify the model and serial number of the product.

* Indicates a component that is not available as an individual part.

G** Indicates consult Customer Service Department for additional information.

ITEM	PART NO.	1	2	3	4	5	DESCRIPTION	QTY.
31	70216-G01						THRUST WASHER, 1 1/2"	1
32	70195-G01						THRUST WASHER, 7/8"	1
33	00734-G6						LOCK NUT, 7/8 - 9	1
34	00798-G8						COTTER PIN, 5/32" X 1 3/4" LG	1
35								
36	70360-G01						STEERING SHAFT/COLUMN KIT (INCLUDES ITEMS 37 - 48)	1
37	14322-G6						STEERING SHAFT	1
38	70558-G01						COUPLING	1
39	00550-G1						LOCK NUT, 1/4 - 20	2
40	70227-G01						BOLT, 1/4 - 20 X 7/8" LG	2
41	70223-G01						GASKET	1
42	00876-G2						BOLT, 3/8 - 16 X 1 1/4" LG WITH PATCHLOCK	3
43	00878-G1						LOCK WASHER, 3/8"	3
44	70466-G01						RETAINER	1
45	28633-G01						STEERING COLUMN KIT (INCLUDES ITEMS 46 - 48)	1
46	*						STEERING COLUMN	1
47	28569-G01						STEERING COLUMN BUSHING	1
48	01022-G01						SCREW, #6 - 20 X 5/16" LG	1
49								
50								
51	00470-G4						BOLT, 7/16 - 20 X 2 1/2" LG	1
52	00734-G3						LOCK NUT, 7/16 - 20	1
53	01033-G01						BOLT, 7/16 - 14 X 1 1/4" LG WITH PATCHLOCK	2
54	00566-G2						LOCK WASHER, 7/16"	3
55								
56								
57								
58	71146-G01						STEERING WHEEL	1
59	71949-G01						HUB COVER	1
60								

STEERING

THE USE OF NON U.L. PARTS WILL VOID ANY U.L. LISTING.

When ordering parts, please specify the model and serial number of the product.

* Indicates a component that is not available as an individual part.

G** Indicates consult Customer Service Department for additional information.

ITEM	PART NO.	1 2 3 4 5	DESCRIPTION	QTY.
61	71147-G01		STEERING WHEEL COVER	1
62	71047-G01		LABEL (E-Z-GO)	1
63				
64	14390-G2		LOCK NUT, 5/8 - 18	1
65				
66				
67	70904-G04		TIE ROD ASSEMBLY (INCLUDES ITEMS 68 - 72)	2
68	70855-G03		THREADED ROD (10 1/8" LG).....	1
69	70902-G01		TIE ROD END (LEFT HAND THREADS)	1
70	01069-G01		JAM NUT, M12 X 1.25-05 (LEFT HAND THREADS).....	1
71	70902-G02		TIE ROD END (RIGHT HAND THREADS).....	1
72	01069-G02		JAM NUT, M12 X 1.25-05 (RIGHT HAND THREADS)	1
73				
74	00734-G1		LOCK NUT, 7/16 - 14	4
75				
76				
77	50209-G2		CASTELLATED NUT, 7/16 - 20	1
78	10387-G2		COTTER PIN, 3/32" X 1" LG	1
79				
80				
81	27205-G01		TIE ROD END (LEFT HAND THREAD) (INCLUDES ITEMS 82 - 84)	1
82	50641-G1		RUBBER BOOT	1
83	50209-G2		CASTELLATED NUT, 7/16 - 20	1
84	18434-G3		JAM NUT, 9/16 - 18 (LEFT HAND THREAD)	1
85	27205-G02		TIE ROD END (RIGHT HAND THREAD) (INCLUDES ITEMS 86 - 88).....	1
86	50641-G1		RUBBER BOOT	1
87	50209-G2		CASTELLATED NUT, 7/16 - 20	1
88	18434-G4		JAM NUT, 9/16 - 18 (RIGHT HAND THREAD)	1
89	10389-G3		GREASE FITTING, STRAIGHT.....	2
90	10387-G2		COTTER PIN, 3/32" X 1" LG	4