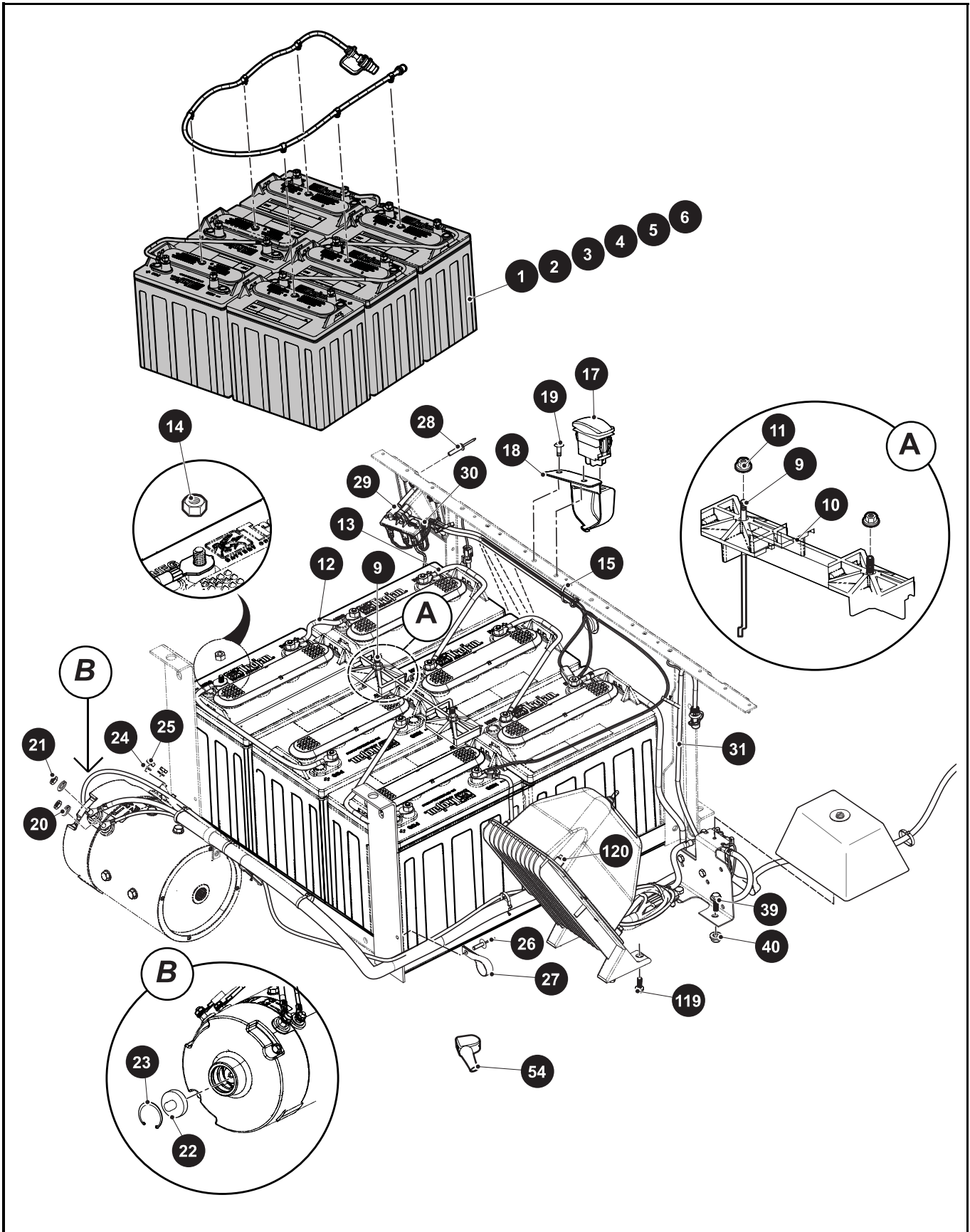


ELECTRICAL



ELECTRICAL

When ordering parts, please specify the model and serial number of the product.

* Indicates a component that is not available as an individual part.

*** Indicates consult Customer Service Department for additional information.

ITEM	PART NO.	1 2 3 4 5	DESCRIPTION	QTY.
1	***		BATTERY, 8V - T8V	6
2	***		BATTERY, 8V - T8V, HYDROLINK.....	6
3	***		BATTERY, US, 8V	6
4	***		BATTERY, US, 8V, FLOWRITE	6
5	***		BATTERY, 8V - T890, HYDROLINK.....	6
6	***		BATTERY, 8V - T890	6
7				
8				
9	01101G01		HOLD DOWN BOLT (SS), 5/16" - 18	2
10	612867		BATTERY RETAINER	1
11	11027G1		LOCK NUT, 5/16" - 18	2
12	613236		6 AWG WIRE, BLUE, 380MM (15").....	4
13	613237		6 AWG WIRE, BLUE, 150MM (5.90").....	1
14	00702G2		HEX NUT, 5/16" - 18.....	12
15	17618G1		NYLON CLAMP	AR
16				
17	624514G01		FNR SWITCH	1
18	628027		FNR SWITCH HOLDER	1
19	18436G1		PLASTIC RIVET	2
20	00993G01		LOCK WASHER, SILICON BRONZE, 5/16"	2
21	28418G01		HEX NUT, 5/16" - 18, BRASS.....	2
22	620422		SPEED SENSOR, 48V.....	1
23	73277G01		RETAINING RING	1
24	00993G02		LOCK WASHER, SILICON BRONZE, 1/4"	2
25	28418G02		FLANGED LOCK NUT, 1/4" - 20	2
26	10570G11		RIVET (SS), 3/16" X 0.70"	1
27	27327G02		TWISTED CABLE CLAMP	1
28	71055G01		RIVET, 3/16" (ALUMINUM).....	4
29	613304		CHARGER RECEPTACLE, DELTA - Q, 48V	1
30	*		CHARGER HARNESS.....	1
31	625805		MAIN HARNESS, 48V.....	1

When ordering parts, please specify the model and serial number of the product.

* Indicates a component that is not available as an individual part.

*** Indicates consult Customer Service Department for additional information.

ITEM	PART NO.	1 2 3 4 5	DESCRIPTION	QTY.
32	18027G1		KEY SWITCH (WITHOUT LIGHTS - INDIVIDUALLY KEYED).....	1
33	33639GXX		KEY SWITCH (WITH LIGHTS)	1
34	18602G1		KEY SWITCH.....	1
35	17955G1		KEY SWITCH (GROUP KEYS).....	1
36	00568G6		LOCK WASHER, 3/4"	1
37	17137G1		FACE NUT, 3/4" - 20	1
38	625242		DECAL, CENTER COMPARTMENT WITH LIGHTS	1
39	00438G6		HEX HEAD CAP BOLT, 5/16" - 18 X 3/4" LG.....	2
40	11027G1		FLANGED HEX NUT, 5/16" - 18	2
41	613271		REVERSE WARNING BUZZER (CONTINUOUS TONE).....	1
42	01041G01		RIVET, 5/32" DIA.....	2
43	625267		DECAL, CENTER COMPARTMENT, KEY SWITCH, ON - OFF	1
44	628022		CENTER COMPARTMENT	1
45	631104		CENTER COMPARTMENT WITH SOC	1
46	33636G05		STATE OF CHARGE METER (SOC).....	1
47	25978G74		WIRE ASSEMBLY, RED, #18 (NOT ILLUSTRATED)	1
48	625243		DECAL, CENTER COMPARTMENT WITH LIGHTS AND SOC	1
49	625268		DECAL, CENTER COMPARTMENT, ON - OFF AND SOC.....	1
50	74018G01		SOC HARNESS (NOT ILLUSTRATED).....	1
51	625224		CENTER COMPARTMENT DIVIDER.....	1
52	628019		SAFETY LABEL, PVT CONSOLE	1
53				
54	606947		BATTERY TERMINAL COVER.....	6
55	604884		DC/DC CONVERTER.....	1
56	632372		TAPPING SCREW, #10 - 32 X 3/4" LG	4
57	633303		DC/DC CONVERTER BRACKET.....	1
58	605888		DC/DC CONVERTER HARNESS	1
59	16816G5		RATCHET RIVET, 0.187" X 0.550 (NOT ILLUSTRATED).....	1
60	00414G6		HEX HEAD CAP BOLT, 1/4" - 20 X 3/4" LG.....	2
61	00559G7		FLAT WASHER, 1/4"	4
62	00891G2		LOCK NUT, 1/4" - 20.....	2